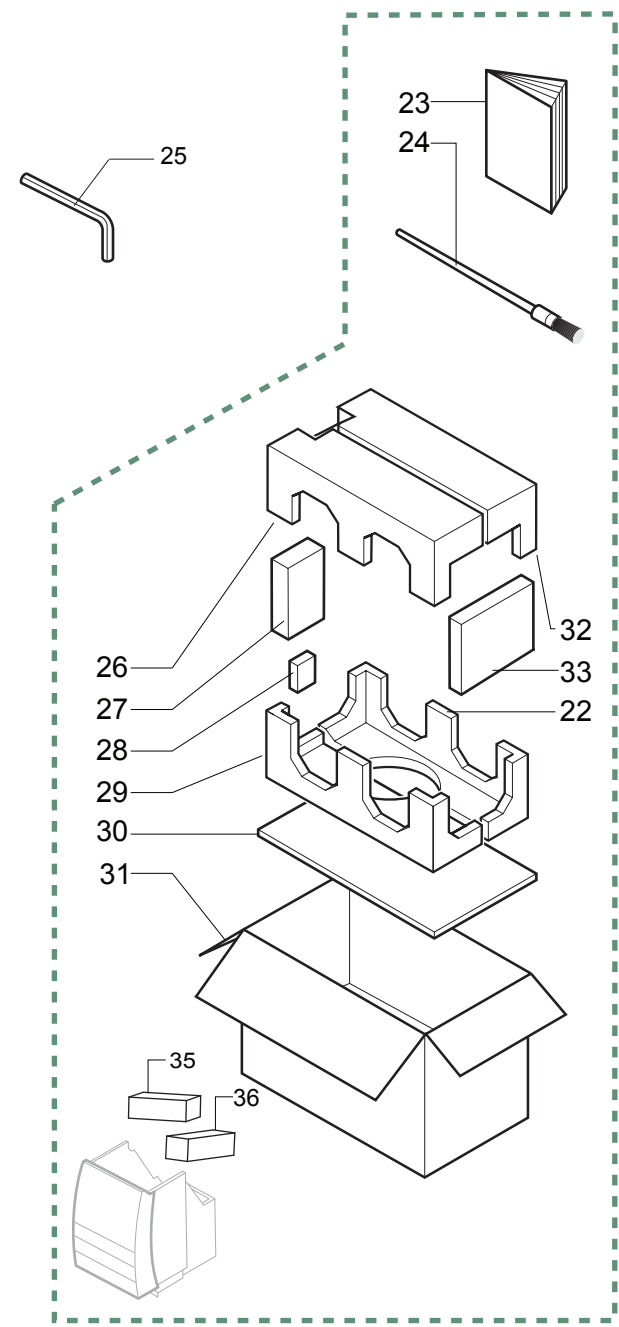
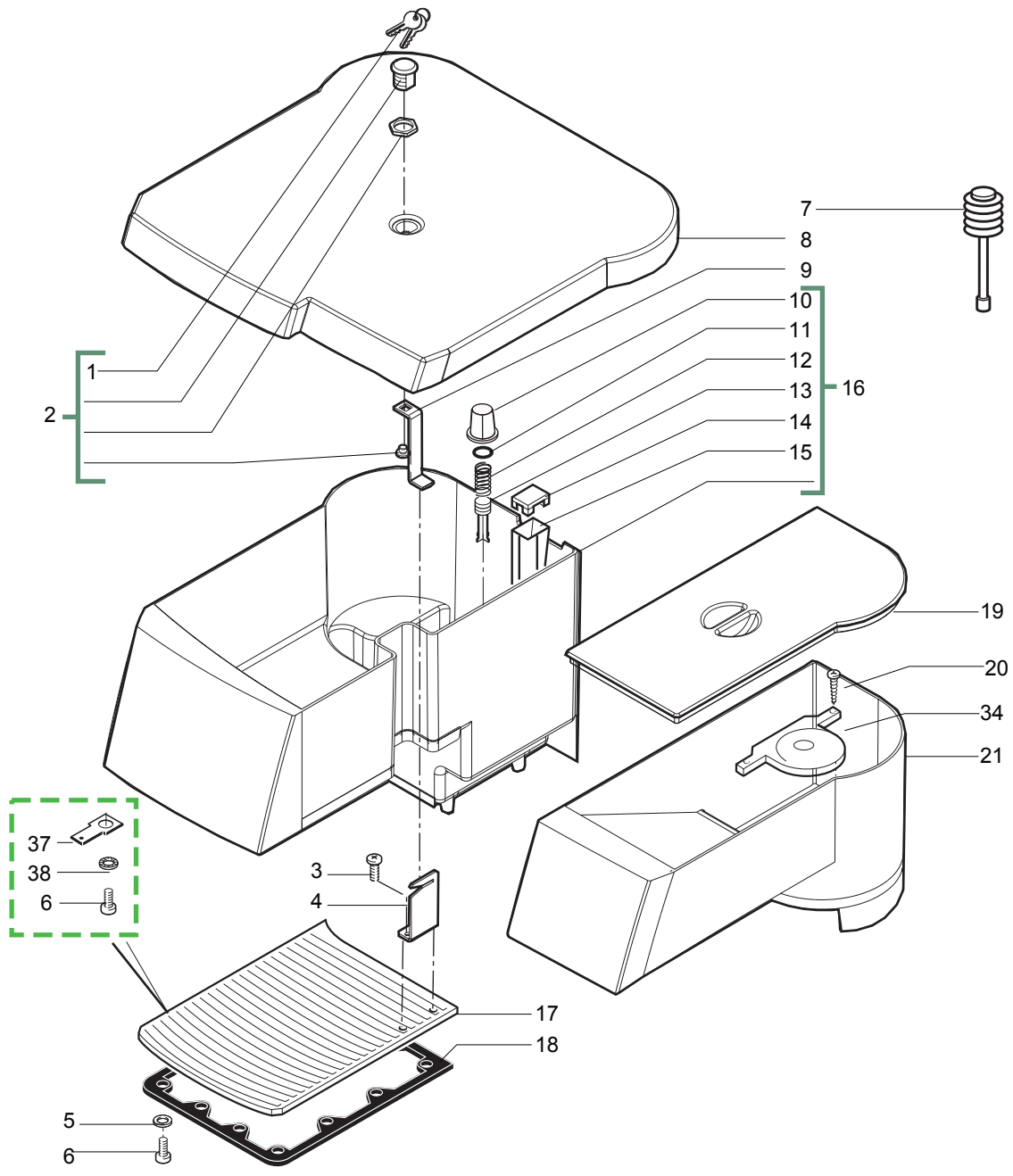
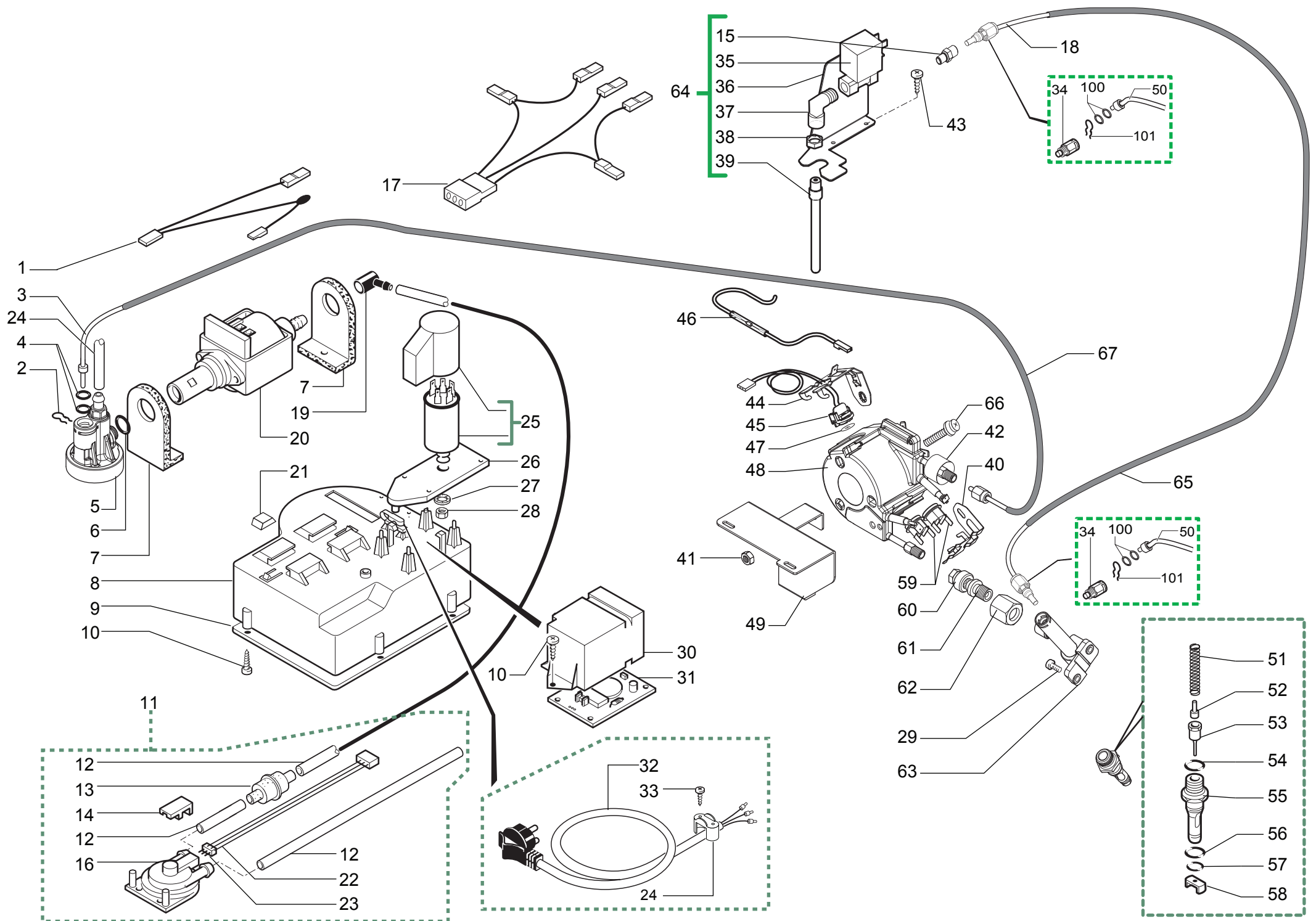


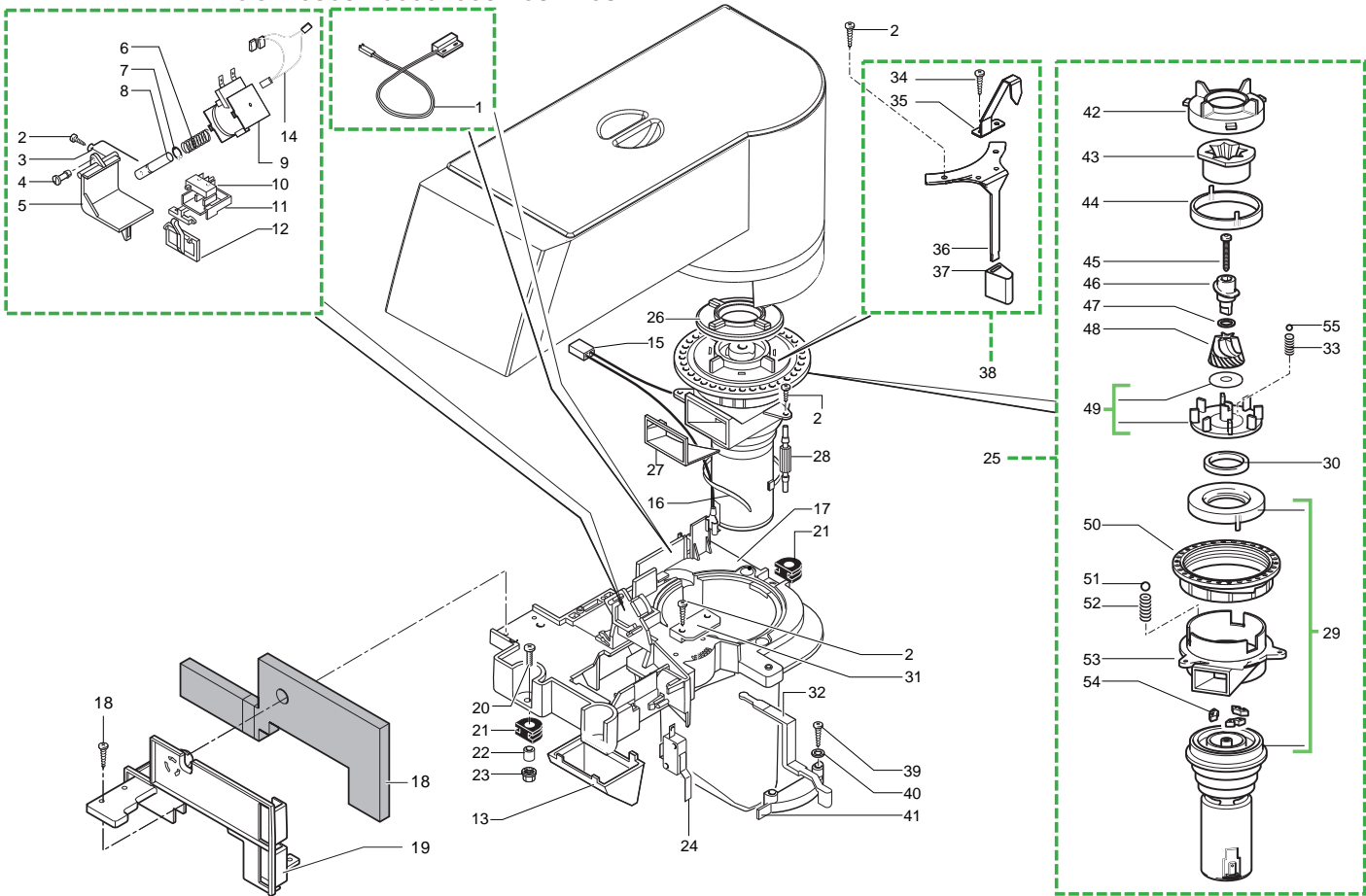
Pos	Article-Nr.	Description	Pos	Article-Nr.	Description
1	9972.027	SILICONE TUBE BROWN 5X8 L. 85 MM	43	NV02.095	DOOR LOCK VIRO
2	11003705	CONNECTOR 90° DISPENSER BROWN	44	0333.037	LOCK BRACKET
3	0327.010.050	FIXED CASING DISPENSER BLACK	45	0333.036.660	DOOR ASS. OFFICE SILVER TF
4	0327.037	SPRING FOR DISPENSER	45	0333.036.840	DOOR ASS. ROYAL OFFICE BLUE
5	0301.052	SEAL FOR DISPENSER SCREW	46	0301.020	NIK/BRASS PIN FOR DOOR SUPERAUT.
6	0301.050	SCREW M3 FOR DISPENSER			
7	0333.050.760	MOBILE DISPENSER ASS.			
8	0333.A03.760	DISPENSER ASS. OFFICE			
9	0301.033.150	TANK CASING GREY			
10	129670202	TCB PANELVIT SCREW 3,5X16 TESTA D=8 ZNP			
11	0312.009.770	DISPENSER LID SILVER			
11	0312.009.850	DISPENSER LID			
12	0333.005.770	PAINTED GRATE			
13	0333.006.770	DRIP TRAY SILVER			
13	0333.006.850	DRIP TRAY			
14	145500211	RED FLOAT FOR DRIP TRAY SEB GRANCAF.			
15	U143.015	PANELVIT TCB 3,0X12 TORX BLACK			
16	0333.026.770	CONNECTOR LID SILVER			
16	0333.026.850	CONNECTOR LID			
17	129511903	SCREW TCB 2,9X6,4 DIN 7981 BZ NICK			
18	0333.025	CONNECTOR SUPPORT			
19	0333.044.280	CAP			
20	0333.047.770	CASING LID ROYAL SILVER S/S.OFFICE			
20	0333.062.770	LID UL SAECO ROYAL OFFICE SILVER			
21	0333.043.280	CLOSURE RUBBER			
22	0333.951	OVAL DATA PLATE ROYAL			
23	0333.022.850	CAP FOR FAUCET HOLE			
24	0333.021.280	RUBBER FOR STEAM TUBE HOLE			
25	0333.023.660	TF/SILVER CASING OFFICE REMOVAL GROUNDS			
25	0333.023.840	BLUE CASING OFFICE REMOVAL GROUNDS			
25	11025917				
26	0313.006.050	SWITCH COVER BLACK			
27	U110.005	screw AUT.TCB 3,9X9,5 DIN 7981 F			
28	11025952	SILVER DUMP BOX V2			
28	0312.032.770	SILVER DUMP BOX			
28	0312.032.850	BLUE DUMP BOX			
29	147623150	BLACK SQUARE ADHESIVE FOOT 5023			
30	0701.031.150	GREY WATER VALVE GACO DIM 14 SEAL COVER			
31	145842900	NBR WATER CONT.VALVE GACO DIM14 SEAL			
32	0701.014.150	GREY WATER VALVE GACO DIM 14 SEAL CONT.			
33	129532521	SCREW TSP2,9X9,5 DIN 7982 SS			
34	140320461	OR ORM 0080-20 TERMOIL			
35	U143.007	screw TORX TCB 2,9X19 SS BUR			
36	0312.031.770	DOSER LID UL SILVER			
36	0312.008.770	DOSER LID			
37	0368.005.050	TAPPO X EROGATORE SIL 70			
38	0301.041.150	GREY BREW UNIT SUPPORT PLATE ROYAL			
39	12000641	MOLVENO WATERPROOF GW ASSEMBLY SWITCH			
40	0301.019	NIK/BRASS PIN FOR DOOR SUPERAUT.			
41	9161.140	SEAL FOR UNIT PLATE			
42	0701.R29	KEY KA 35			



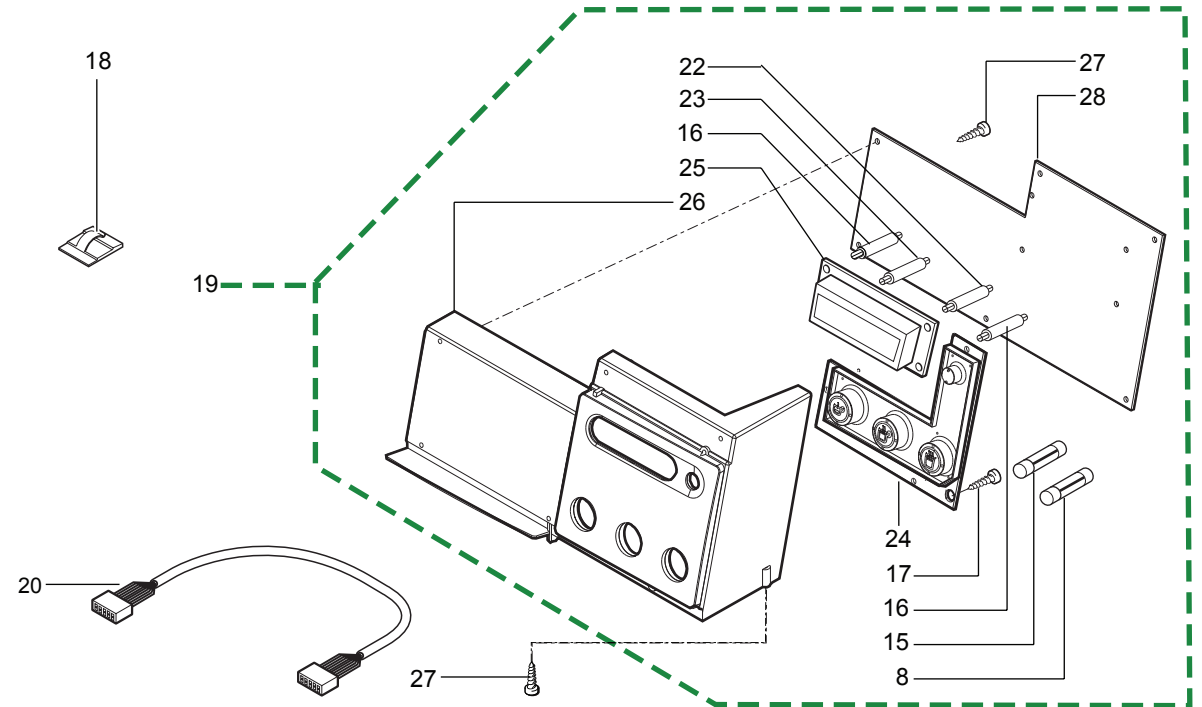
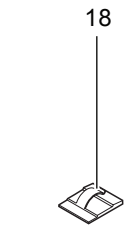
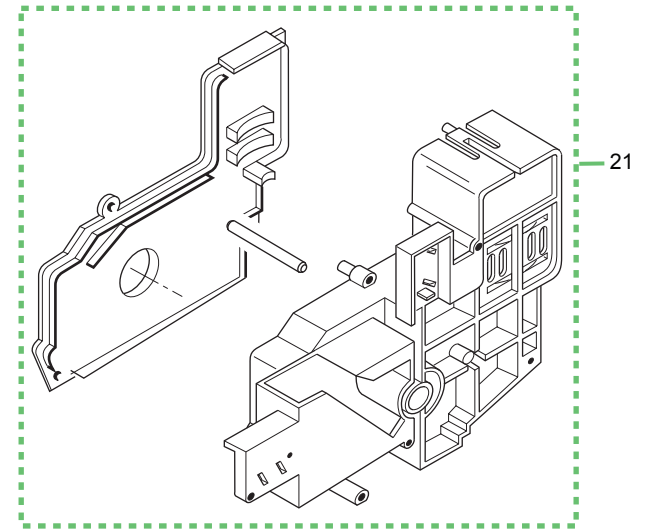
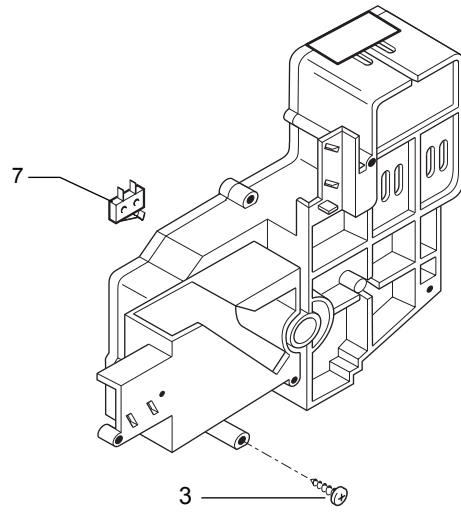
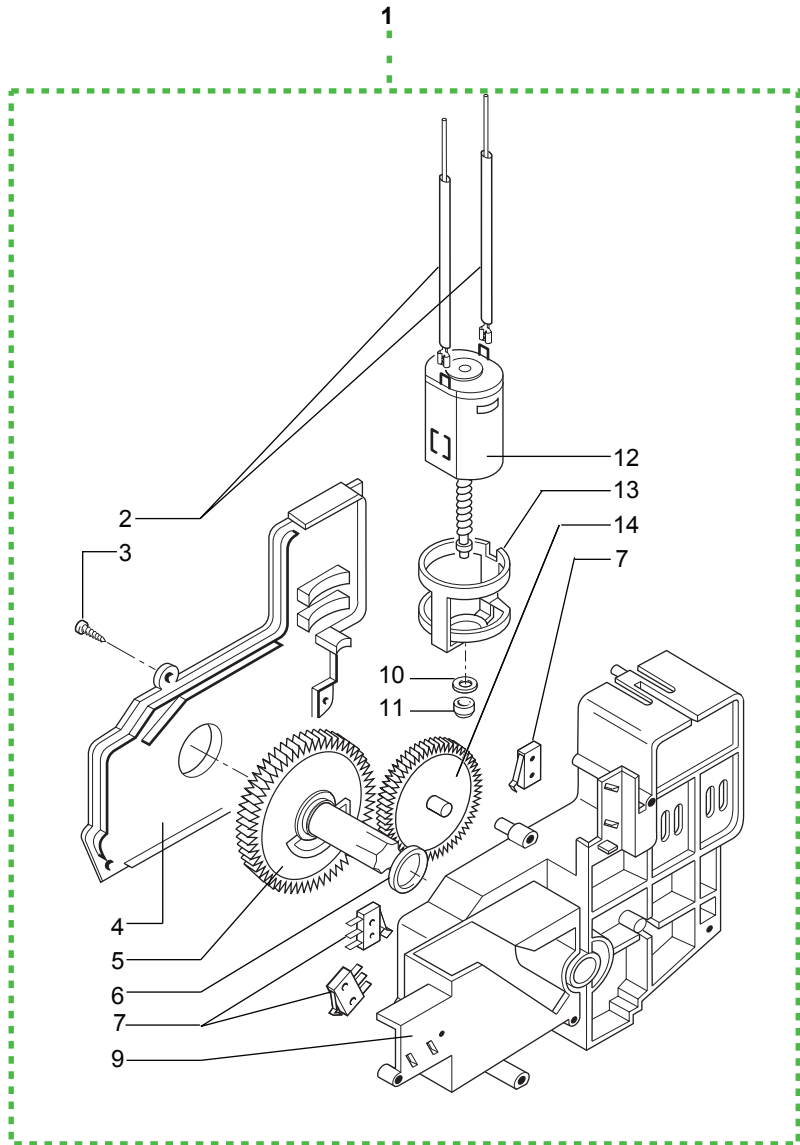
Pos	Article-Nr.	Description	Pos	Article-Nr.	Description
1	0701.R29	KEY KA 35	37	NE15.003	MALE TONGUE PLAIN 6,3 D.5,2
2	NV02.095	DOOR LOCK VIRO	38	128310404	WASHER UNI 8842 A4 BURNISHED
3	U127.003	screw TAPT.TCB M4,0X6 DIN 7500C			
4	0333.016	BRACKET COUPLING SUPPORT			
5	U201.005	PLAIN WASHER 4,3X12 DIN 7349 GAL			
6	129573402	SCREW TAPT M4X10 DIN 7985 GALV			
7	147700200	LOADING PUMP DIAMETER 17 MM			
8	0333.003.770	MAIN LID			
9	0333.015	COUPLING BRACKET			
10	224640200	WHITE WATER CONTAINER EXT.FILTER ASSY.			
11	NM01.032	RED SILICONE OR ORM 0060-30			
12	9161.110	PISTON SPRING FOR SUPERAUT.			
13	147660562	GREY PISTON FOR WATER CONTAINER VALVE			
14	9161.050.230	NAT/TRANSP.FLOATING SPACE PLUG MAGIC			
15	9161.112.150	GREY LEVEL FLOAT			
16	0333.A12.230	TRANSPAR.WATER TANK ASS.ROYAL OFFICE UL			
16	0333.046.230	WATER TANK ASS.			
17	0333.051.050	CUP WARMER PLATE OFFICE BLACK			
18	0312.014	CUPWARMER SEAL			
19	0333.004.050	COFFEE CONT.LID			
20	129670202	TCB PANELVIT SCREW 3,5X16 TESTA D=8 ZNP			
21	0333.066.230	TRANSPARENT COFFEE CONTAINER UL			
21	0333.002.230	COFFEE CONTAINER			
22	0333.902	PS-E RIGHT LOWER INSERT			
23	0368.951	INSTR.BOOKLET OFFICE UP_GRADE I			
23	0368.952	INSTR.BOOKLET OFFICE UP_GRADE D			
23	0368.953	INSTR.BOOKLET OFFICE UP_GRADE F			
23	0368.954	INSTR.BOOKLET OFFICE UP_GRADE GB			
23	0368.955	INSTR.BOOKLET OFFICE UP_GRADE E			
23	0368.956	INSTR.BOOKLET OFFICE UP_GRADE NL			
23	0368.957	INSTR.BOOKLET OFFICE UP_GRADE P			
23	0368.963	INSTR.BOOKLET OFFICE UP_GRADE I			
23	0368.964	INSTR.BOOKLET OFFICE UP_GRADE D			
23	0368.965	INSTR.BOOKLET OFFICE UP_GRADE F			
23	0368.966	INSTR.BOOKLET OFFICE UP_GRADE GB			
23	0368.967	INSTR.BOOKLET OFFICE UP_GRADE E			
23	0368.968	INSTR.BOOKLET OFFICE UP_GRADE NL			
23	0368.969	INSTR.BOOKLET OFFICE UP_GRADE P			
24	127390100	BRUSH FOR CLEANING			
25	NV99.055	ALLEN KEY 5			
26	0333.903	PS-E LEFT UPPER INSERT			
27	0333.908	DRIP TRAY BOX			
28	0333.905	SPACER			
29	0333.901	PS-E LEFT LOWER INSERT			
30	0333.909	ONDULATED CARDB.SHEET			
31	0333.906	EXTERNAL BOX			
32	0333.904	PS-E RIGHT UPPER INSERT			
33	0333.907	BOX MAIN LID			
34	0312.028.230	PROTECTION FOR COFFEE CONTAINER			
35	13001335	PE INSERT145X50X50 FOR DUMP BOX V2 ROYAL			
36	13001336	PE INSERT115X50X50 FOR DUMP BOX V2 ROYAL			



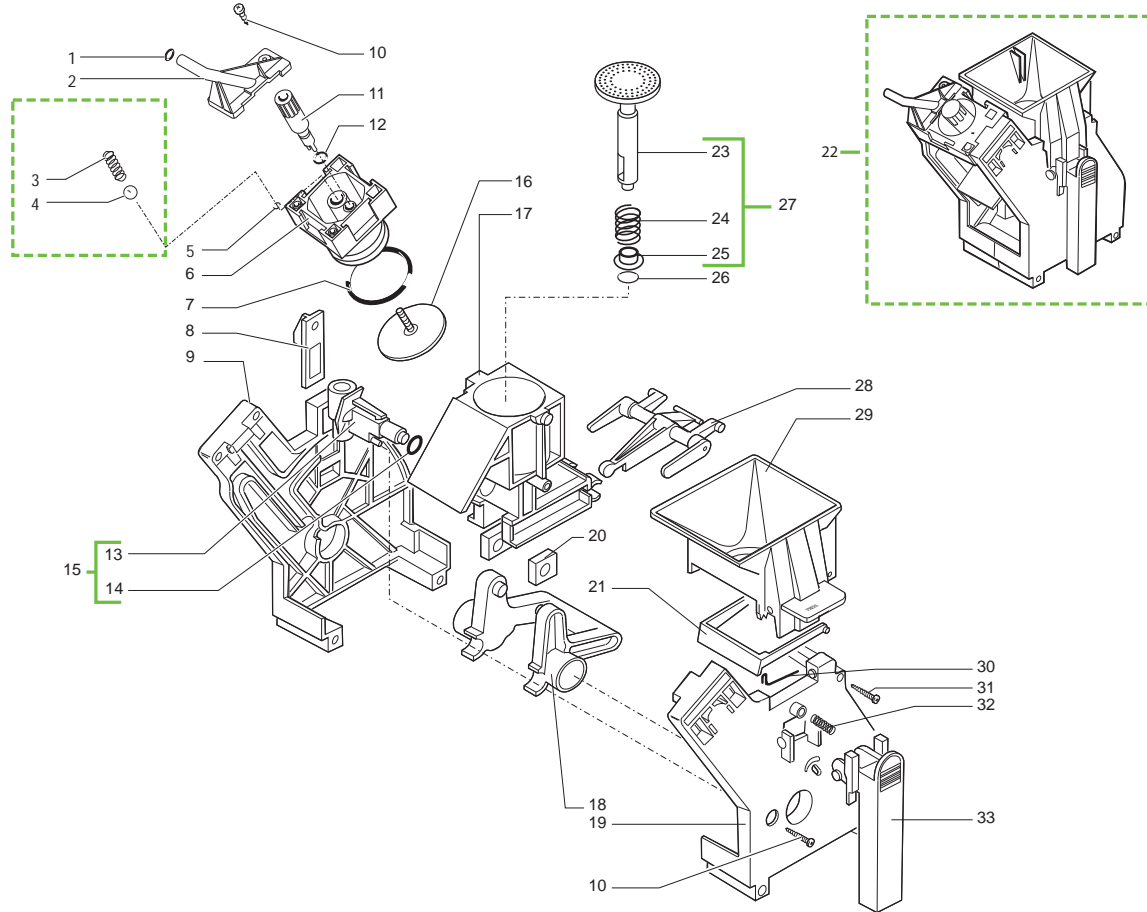
Pos	Article-Nr.	Description	Pos	Article-Nr.	Description
1	0335.801	HARNESS WITH PUMP KLIXON UL	39	0333.028	WATER DISPENSING TUBE
1	0368.820	HARNESS WITH KLIXON PUMP	40	126838117	2 THERMOSTATS FIXING SPRING
2	9011.144	SS FORK FOR TUBE D=4	41	123453902	SELF-LOCKI.NUT M5X0,8 DIN 980 CLA.8
3	227875400	CONNECTOR AS.TEFLON 2X4 L=330 MM	42	147756562	BLK PROTECTION FOR FOLK SPRING TUBE D=4
4	140328059	OR 2015 SILICONE PTFE/FDA	43	U110.013	screw AUT.TCB 3,9X6,5 DIN 7981 F
5	229452100	COMPENSATION AND SAFETY VALVE 16BAR ASSY	44	126838017	SENSOR FIXING SPRING
6	140321961	O-RING 2031 TERMOIL	45	288582300	SENSOR ELECT.BOARD WITH CONNECTOR
7	149185850	EATON PUMP SUPPORT 4002012 MAGIC	46	11028403	ASSY CONNECTOR
8	0335.008.150	POWER SUPPLY CABLE GREY UL	46	0333.831	CONNECTOR 2 POLE OFFICE UL ASSY.
8	0301.056.150	POWER CABLE CONT. VDE GREY	47	145951600	ELECTRIC INSULATING D=16 SP=0,4
9	0301.055.150	LID FOR POWER CABLE CONT. GREY	48	282058854	V2 TUB.BOILER W/ADDIT.RESIST.1100W 100V
10	129670202	TCB PANELVIT SCREW 3,5X16 TESTA D=8 ZNP	48	282058855	V2 TUB.BOILER W/ADDIT.RESIST.1100W 120V
11	0333.A08	TURBINE ASS. OFFICE	48	282058858	V2 TUB.BOILER W/ADDIT.RESIST.1100W 230V
11	0333.A11	TURBINE ASS. OFFICE UL	49	0333.080	BRACKET FOR BOILER OFFICE
12	JS01.022	SILICONE TUBE 5X10 60SH IN ROLL	50	9979.A55	TEFLON TUBE ASS. 4X2 L.260 7-7
13	144650300	ASPIRATION FILTER GAUZE NET 500 (NEW)	51	9011.132	SS SPRING FOR PIN
14	9161.018	BRACKET FOR TURBINE	52	11009013	TEA/BRASS PIN FOR PISTON L=10
15	11009009	TEA/BRASS CONNECTOR FOR TUBE TEFLON 4X2	53	11009019	TEA/BRASS PISTON L=20,9 ASSY.
16	286473300	-M-VDE TURBINE WITH SENSOR KIT	54	140320459	OR ORM 0080-20 SILICONE PTFE/FDA
17	0333.834	ASS.CONNETTORE SCHEDA INTERFACCIA	55	9011.100	PEG FOR VALVE IN PLASTIC
17	0333.835		56	NM01.035	OR ORM 0090-20 SILICONE
18	9979.B40	TEFLON TUBE 4X2 L.250 OG-OG ASSY.	57	NM01.057	OR ORM 0050-20 IN SILICONE
19	147920150	90° INLET PUMP CONNECTOR	58	11005099	NATURAL CURSOR V2 FOR BOILER P119
20	12000130	ULKA PUMP EP5/S GW 100V-50/60HZ	59	189428200	THERMOSTAT 175° 1NT-08L-3794
20	12000131	ULKA PUMP EP5/S 120V-60HZ	60	0333.076	BOILER CONNECTOR OFFICE
20	12000132	ULKA PUMP EP5/S GW 220V-50/60HZ	61	0333.078	CONN.ADAPTER
20	12000140	ULKA PUMP EP5/S GW 230V-50HZ	62	0333.077	NUT
21	147620400	BLACK SQUARE ADHESIVE FOOT SJ-5018	63	0333.079	SUPPORTO PERNO
22	0368.817	3 POLE CONNECTOR	64	0333.A04.00A	WATER DISPENSING VALVE ASS.
22	0317.830	CONN. ASS. 3 POLE TURBINE PROFES.U	64	0333.A04.00F	WATER DISPENSING VALVE ASS. 120V
24	9991.039	CABLE RETAINER UL	64	0333.A04.00R	WATER DISPENSING VALVE ASS. 100V
25	0301.A12.00A	CAP + ANTIDISTURB FILTER OCS 230V ASSY.	64	0368.A14.00A	WATER DISPENSING VALVE ASS.
26	0327.035.150	ANTIDISTURB FILTER SUPPORT	64	0368.A14.00F	WATER DISPENSING VALVE ASS.
27	U208.009	TOOTHED WASHER 8,4X15 UNI 3703	64	0368.A14.00R	WATER DISPENSING VALVE ASS.
28	U302.007	nut HEXAGONAL M8 UNI 5588	65	9972.150	BLACK SILICONE TUBE 7,5X9,3 L=210 MM
29	U043.021	screw TCBC M5,0X8 UNI 7687 GALV.	66	129932202	ROUND HEAD SCREW 10.9 M5X20 GALV
30	9161.126.150	COVER FOR FILTER CARD GREY	67	229431200	BLACK SILICONE TUBE 7,5X9,3 L=250 MM
30	9161.336.150	COVER FOR FILTER CARD GREY UL			
31	0301.828.00F	FILTRATION CARD SUPERAUTOM. 120V			
32	17800032	BLACK POWER CABLE BRAZIL L=1770			
32	NE01.061	BLACK POWER CABLE SCHUKO L=1500			
32	NE01.062	POWER CABLE CH H05 GREY 1 MM			
32	NE01.116	CABLE USA 3P BLACK 1 MM			
33	U140.009	PANELVIT TCB 3,0X16 DIN 7505 B GAL			
34	9011.152	BRASS 1/8" CONNECTOR FOR TUBE D=4			
35	11008569	SOLE.N.VALVE 15VA 2 WAY 1/8" FEM.TEA 230V			
35	11008570	SOLE.N.VALVE 21VA 2 WAY 1/8" FEM.TEA 120V			
35	11008575	SOLE.N.VALVE 15VA 2W.1/8"FEM.DN3 TEA 100V			
36	0333.024	SHEET METAL PROTECTION			
37	NR07.021	STANDARD CONN. L MF 1/8 NICK			
38	U303.002	nut HEXAGONAL M12X1,25UNI 5589			



Pos	Article-Nr.	Description	Pos	Article-Nr.	Description
1	0301.811	CONNECTOR 2 POLES LEVEL ASSY.	41	9161.404.150	DOSE ADJUST. SCALE GREY RAL 7016
1	0317.829	CONNECTOR 2 POLES LEVEL UL ASSY.	42	149186150	BLACK UPPER GRINDER SUPPORT MAGIC
1	0368.818	2 POLE CONNECTOR	43	9141.039	UPPER GRINDER
2	U140.004	PANELVIT TCB 3,0X12 DIN 7505 B GAL	44	142844550	UPPER GRINDER COVER COFFEE GRIND. MAGIC
3	9161.048	STEEL GROUND COF.DOSER SCRAPER ROD	45	129931002	TORX SCREW T10 TCB 3,5X40 SX ZNG
4	9161.076.150	GREY GROUND COF.DOSER DOOR PIN	46	147470763	BLK INCREASE SCREW PIN COF.GRINDER MAGIC
5	9161.074.150	GREY GROUND COFFE DOSER DOOR	47	U201.002	PLAIN WASHER 10X16X0,2DIN 988 GAL
6	126764818	SPRING ELECTROM.BEAN DOSER MAGIC	48	9141.040	CONICAL GRINDER
7	U701.003	SNAP RING 7 UNI 7434	49	149188750	CONICAL GRIND. SUPP. + RING MAGIC
8	9161.041	STEEL GROUND COF.DOSER ELECTROMAGN.CORE	50	146570950	RING NUT FOR GRINDING ADJUSTMENT MAGIC
9	9129.A07.00F	COFFEE DOSER COIL ASS.120V	51	128610421	STAIL.STELL AISI 304 SPHERE D=3,2MM
9	9129.A21.00A	DOSER COIL FOR SUPERAUTOM.230V ASSY.	52	126770117	NEW SPRING SPHERE D=3,2 MOTOR MAGIC
10	NE05.017	MICROSWITCH	53	9141.080	BLACK COFFEE GRINDER MOTOR SUPPORT
11	9161.072.150	GREY MICRO SUPP.CURSOR GROUND COF.DOSER	54	140230400	SHOCK ABS .CONICAL GRINDER SUPP.MAGIC
12	9161.073.150	GREY GROUND COF.DOSE CONTROL COMPENSATOR	55	128610521	STAIL.STEEL AISI 304 SPHERE D=5,5MM
13	9161.079.150	GREY GRIND COFFEE CONVEYOR MAGIC			
14	0368.821	2 POLE CONNECTOR			
15	0368.801	2POLES CONNECTOR GRINDER MOTOR ROYAL			
15	0368.802				
16	144320200	SELF LOCK STRIP W=2.6 L=200			
17	9161.365.150	GREY PLATE COFFEEGRINDER MAGIC/ROYAL			
18	9161.382	INSULATOR FOR COFFEE GRINDER			
19	9161.366.150	GREY/7016 SUPPORT FOR INSULATOR			
20	U043.004	ZN-B TCB SCREW M4X16			
21	9991.005	RUBBER FOR COFFEE GRINDER			
22	9141.003	SPACER FOR RUBBER			
23	U324.006	NUT M4 FLANGED INDENTED BASE			
24	NE05.037	MICROSWITCH			
25	9140.035.00A	ASS.MACINACAFFE'ITA 230V			
25	9140.036.00A	COFFEE GRINDER STD 230V ASSY.			
25	9140.036.00F	ASS.MOTOR STD 120V			
25	9140.036.00R	ASS.MOTOR STD 100V 50/60HZ			
26	1505.020	GASKET COFFEE GRINDER UL			
27	1505.014	COFFEEGRINDER SEAL			
28	9991.103	ANTIVIBRATION FOR COFFEEGRINDER			
29	1501.R09.00F	MOTOR SPARE UNIT 120V			
29	1501.R09.00R	MOTOR SPARE UNIT 100V			
29	0301.R10.00A	SPARE MOTOR UNIT MC 230V			
30	140360200	FELT RING 40X34X5			
31	9161.097.150	GREY GROUND COF.DOSER LEVER FIXING PLATE			
32	9161.077.150	DOSE ADJUSTMENT LEVER DE LUXE GREY			
33	126765517	STEEL SPRING SPHERE D=5,5 MOTOR MAGIC			
34	129511803	SCREW TCB 2,9X6,4 DIN 7981 NICK			
35	0333.045.660	GRINDING ADJUSTMENT INDICATOR			
35	0333.045.840	GRINDING ADJUSTMENT INDICATOR			
36	0333.008	STEEL GRINDING ADJUSTMENT LEVER			
37	0333.009	BLK GRINDING ADJUST.LEVER HANDGRIP ROYAL			
38	0333.A07.660	GRINDING ADJ. LEVER ASS. SILVER TF			
38	0333.A07.840	GRINDING ADJ. LEVER ASS.			
39	129512503	SCREW TCB 2,9X9,5 DIN 7981 NICK			
40	U201.001	PLAIN WASHER 3,2X9 DIN 7349 GALV.			



Pos	Article-Nr.	Description	Pos	Article-Nr.	Description
1	11005029	WIRED RATIOMOTOR OFFICE GREY ASSY.			
1	9120.021.150	WIRED RATIOMOTOR OFFICE GREY ASSY.			
2	0333.810	CONN.2 POLE RATIOMOTOR OFFICE			
2	0333.821	2POLES CONNECT.RATIOMOTOR OFFICE UL ASSY			
3	129670202	TCB PANELVIT SCREW 3,5X16 TESTA D=8 ZNP			
4	17000719	GREY RATIOMOTOR LID RYL			
5	9121.069.150	GEAR Z=108 FOR MOUNTING PLATE M4000			
6	9161.368	MYLAR WASHER FOR RATIOMOTOR			
7	NE05.038	MICROSWITCH SAIA XCG5-81-P5			
8	NE13.044	FUSE 5,0X20 8A 250V DELAYED			
9	11027899	GREY RATIOMOTOR CASING W/DUCT V2 ASSY.			
10	148380200	BAKELIZZATE WASHER D=5,5			
11	9121.046	BRONZE SINTERED BUSH FOR MOTOR RATIOMOT.			
12	11005214	MOTOR FOR RATIOMOTOR P124 ASSY.			
13	9121.044	ANTIVIBRATION FOR MOTOR			
14	9121.042	GEAR Z=12/90			
15	NE13.010	FUSE 5,0X20 T 315MA 250V UL			
16	NL04.006	RICHCO SPACER MSPM-6-01			
17	U145.002	screw AUT.TCB 3,0X6,0 PT WN 1412 S			
18	NE17.018	ADHESIVE ROUND CABLE RETAINER			
19	0368.R01.77A	SPARES ASS.ELECTRONIC OFFICE 230V			
19	0368.R01.77F	SPARES ASS.ELECTRONIC OFFICE 120V			
19	0368.R02.77F	SPARES ASS.ELECTRONIC OFFICE 120V			
19	0368.R03.77A	SPARES ASS.ELECTRONIC OFFICE 230V			
19	0368.R08.77A	SPARES ELECTRONIC OFFICE 230V ASSY.			
19	0368.R08.77F	SPARES ASS.ELECTRONIC OFFICE 120V			
19	0368.R09.77F	SPARES ASS.ELECTRONIC OFFICE 120V			
19	0368.R10.77A	SPARES ASS.ELECTRONIC OFFICE 230V			
20	0368.808	FLAT CONNECTION CARDS			
21	20007052	SPARES KIT GEARS FOR RATIOMOTOR RYL			
22	NL04.005	RICHCO SPACER MSPM-5-01 BD			
23	NL04.004	RICHCO SPACER MSPM-7-01 BK			
24	0333.803	TOUCH PANEL CARD ASS.			
25	0347.816	DISPLAY FOR ROYAL REDESIGN			
26	0333.049.770	SILVER ELECTRONIC SUPPORT ROYAL + LENS			
26	0333.063.770	ELECT. SUPPORT S/SCREENED UL SILVER			
27	U140.004	PANELVIT TCB 3,0X12 DIN 7505 B GAL			
28	0368.803.00A	CPU CARD OFFICE UP.GRADE ITA 230V			
28	0368.804.00A	SCHEDA CPU OFFICE STD 230V			
28	0368.804.00F	CPU CARD OFFICE UP.GRADE STD 120V			
28	0368.R11.00A	SPARES CPU CARD ITA 230V			
28	0368.R12.00A	SPARES			
28	0368.R12.00F	SPARES			



Pos	Article-Nr.	Description	Pos	Article-Nr.	Description
1	NM02.017	OR ORM 0055-15 TERMOIL			
2	9161.034.150	GREY COFFEE OUTLET SLEEVE			
3	9161.222	SS.CONICAL SPRING			
4	9161.320	VALVE FOR UNIT			
5	NM02.013	OR ORM 0080-15 TERMOIL			
6	9161.193.150	GREY BREW UNIT COUNTERPISTON M5000			
7	NM01.044	OR ORM 0320-40 SILICONE PTFE/FDA			
8	9161.067.150	GREY BREW UNIT COUPLING PLATE			
9	9161.070.150	GREY BREW UNIT REAR PLATE M5000			
10	U140.019	SCREW TCB TORX 10 3X16 PLAST SS			
11	227470150	PIN BLACK ASS.FOR PERCOLATOR			
12	NM02.006	OR R5 TERMOIL			
13	9161.064.150	GREY WATER INLET SLEEVE BREW UNIT ROYAL			
14	NM02.007	OR 2025 IN TERMOIL			
15	0301.R04.150	GREY WATER INLET SLEEVE BREW UNIT ASSY.			
16	20000400	SPARE UNIT PERCOLATOR DE=35,8 WIT.INSERT			
17	9161.195.150	GREY BREW UNIT COFF.CONTAINER M5000 ASSY			
18	9161.066.150	GREY BREW UNIT ELBOW SHAFT M5000			
19	9161.071.150	GREY BREW UNIT FRONT PLATE M5000			
20	9161.094.150	GREY BREW UNIT DRILLED BLOCK			
21	9161.060.150	GREY SCRAPER FOR BREW UNIT M5000			
22	11004189	BLACK BREW UNIT NEW ROYAL OFFICE			
23	9161.306.150	GREY BREW UNIT INTEGRAL PISTON 8GR.ASSY.			
24	9161.198	SS.8GR.BREW UNIT PISTON SPRING			
25	9161.191	WHITE 8GR.-12GR.BREW UNIT PISTON BUSH			
26	NM02.018	OR ORM 0090-25 TERMOIL			
27	9161.343.150	GREY 8GR.BREW UNIT NTEGR.PISTON GEN.ASSY			
28	9161.065.150	GREY CONNECTING ROD BREW UNIT 8GR.			
29	9161.123.150	GREY HOPPER COFF.BREW UNIT S/SCR.M5000			
30	9161.046	SS SCRAPER SPRING FOR BREW UNIT			
31	U109.026	SS.SCREW AUT.TCB 3,5X19 DIN 7981 C			
32	9161.045	SS BREW UNIT HANDGRIP SPRING M5000			
33	9161.069.150	GREY BREW UNIT HANDGRIP M5000			