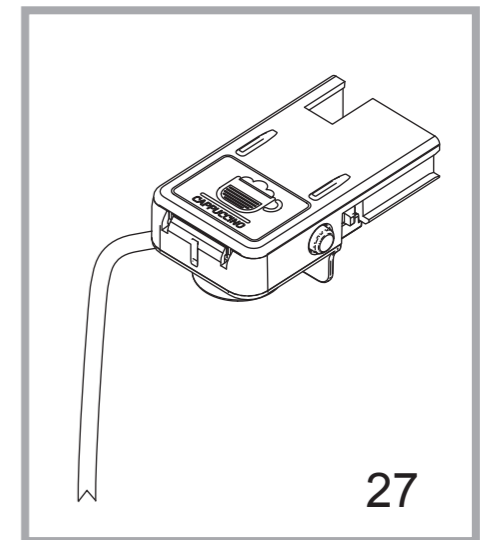
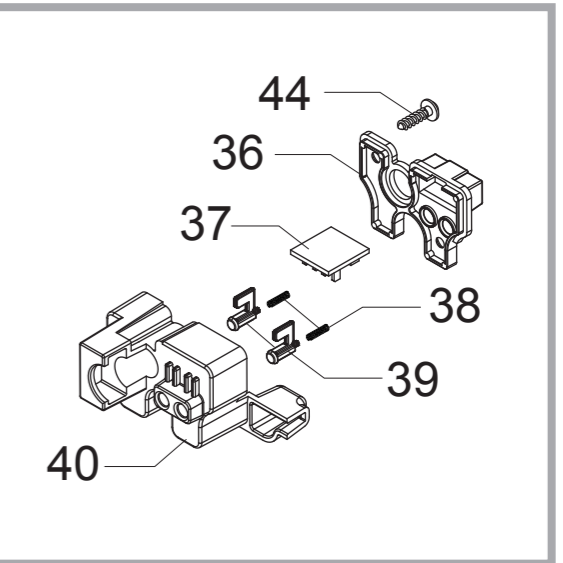
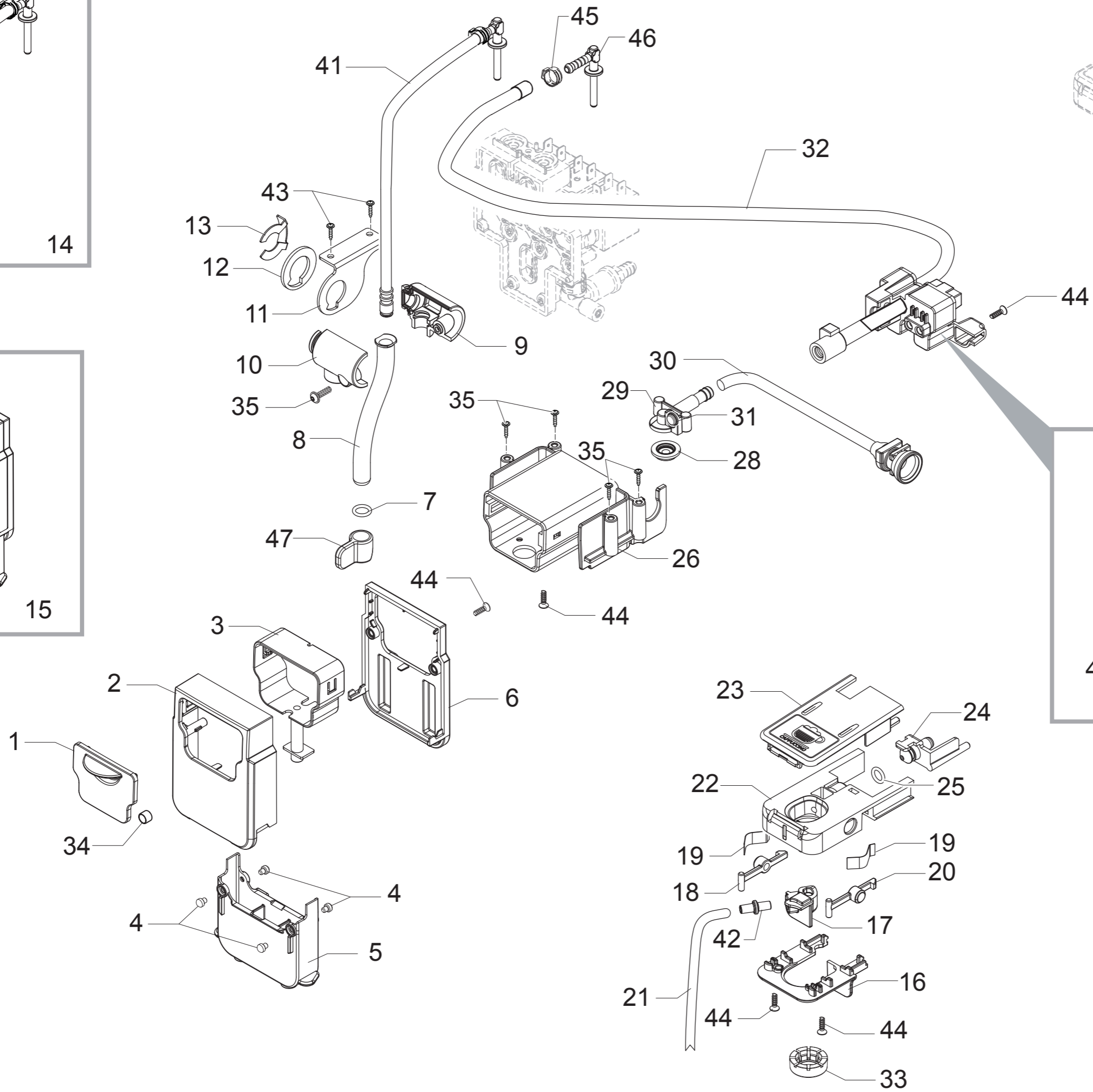
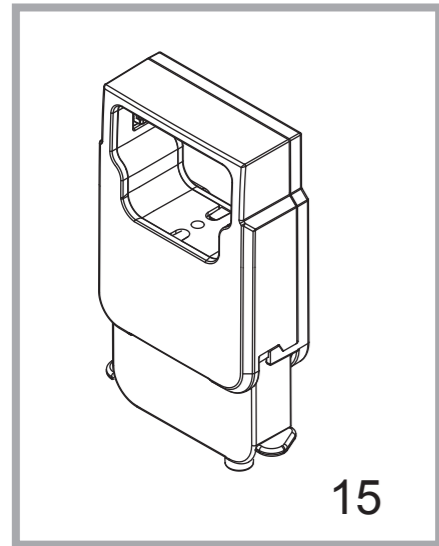
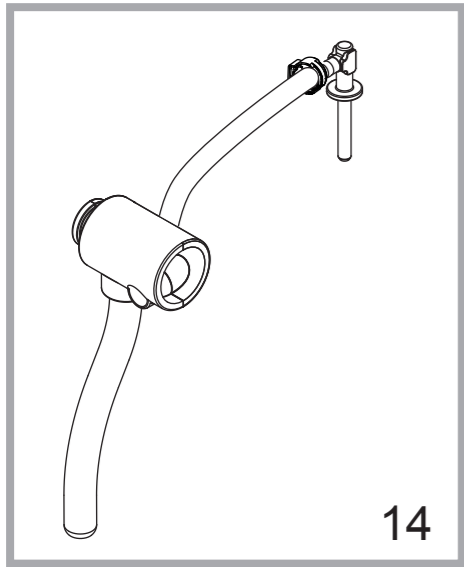
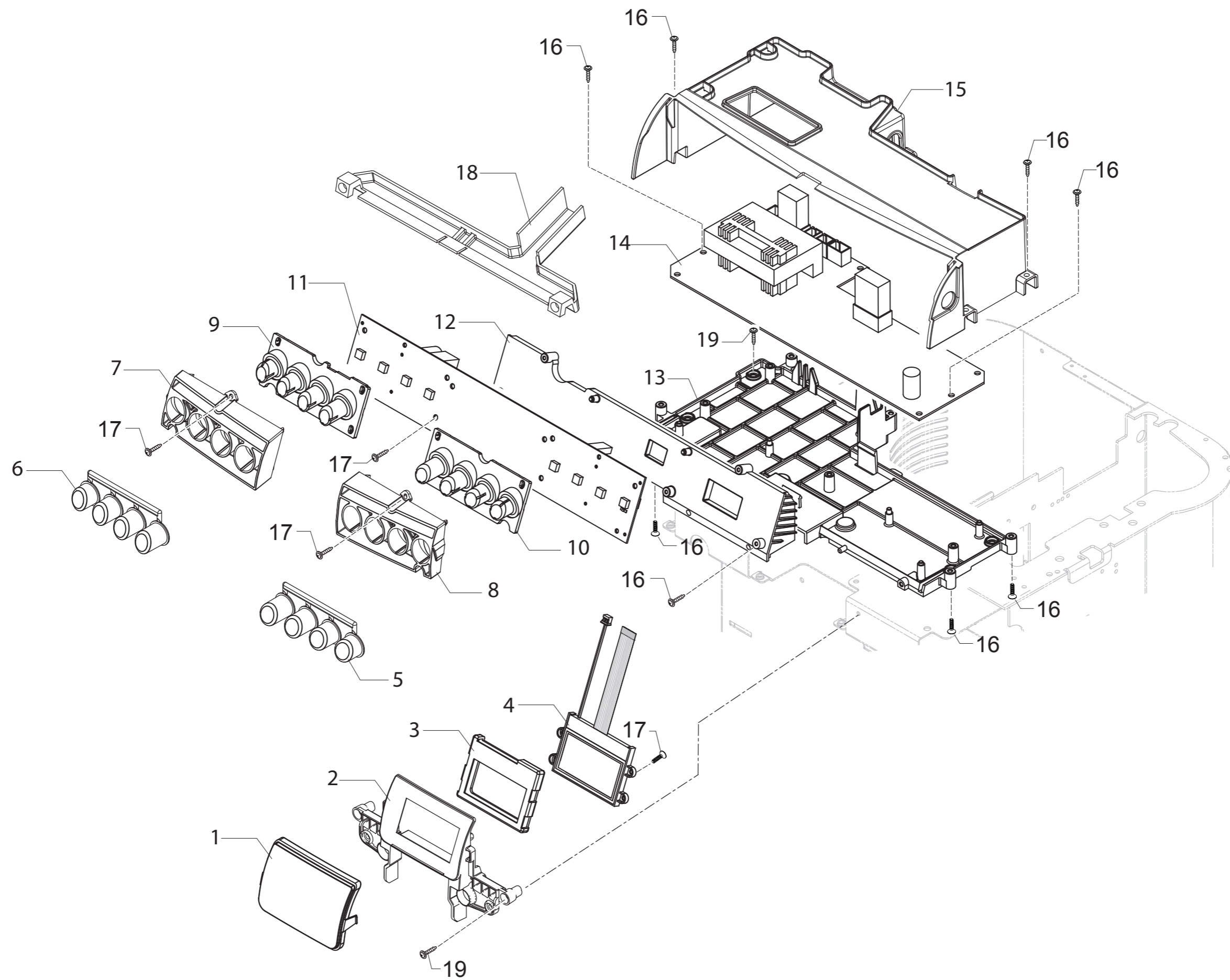


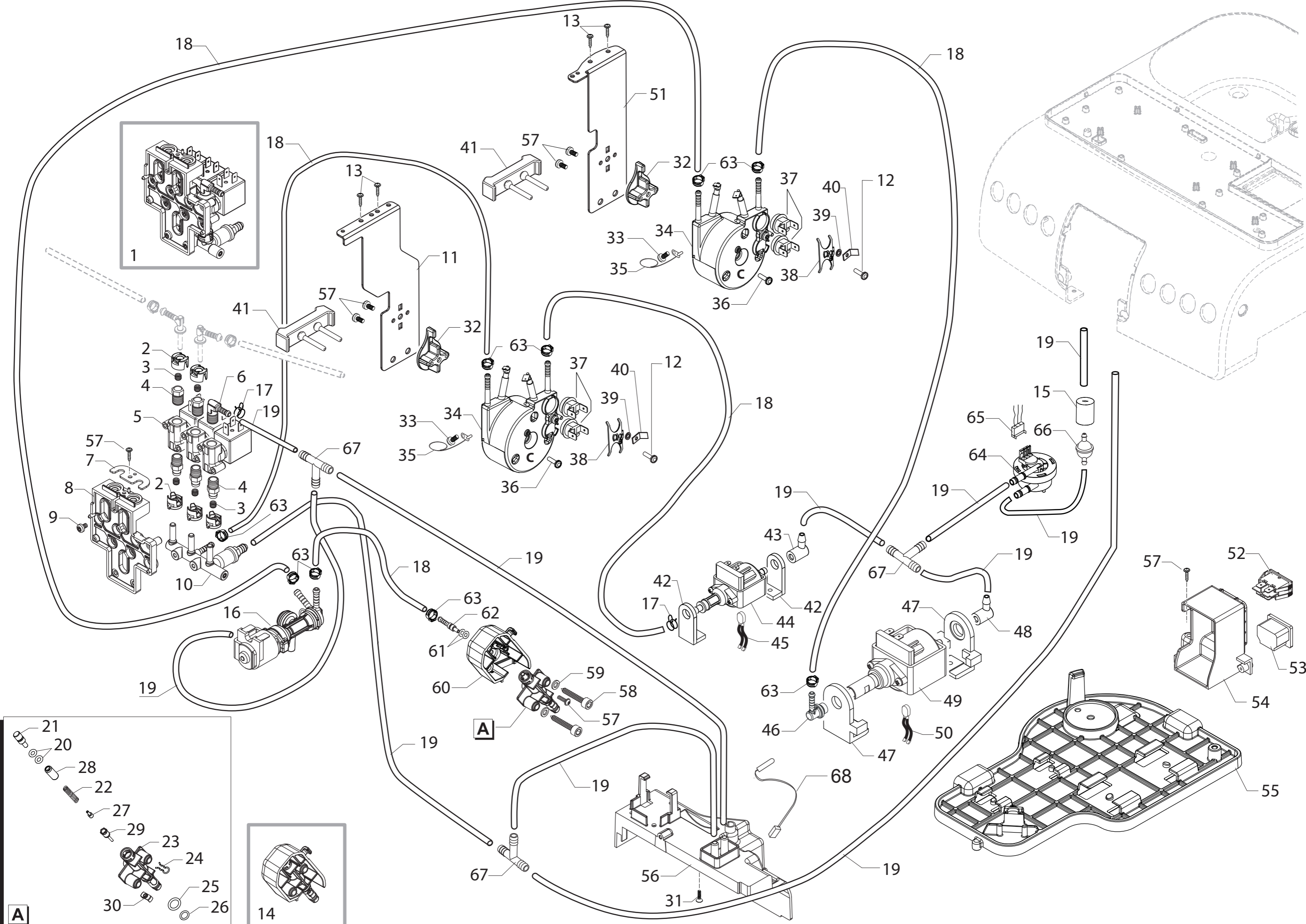
Pos	Article-Nr.	Description	Pos	Article-Nr.	Description
1	421940439951	MANUAL SAE SUP040 RYLO/P IT	40	11025758	LIGHT/GREY STEEL CASING DOOR RYL
1	421940439961	MANUAL SAE SUP040 RYLO/P GB	41	17000240	GREY MOUNTING PLATE INSERT RYL
1	421940439971	MANUAL SAE SUP040 RYLO/P DE	42	12000450	SCREW TCBR TORX 10 3,5X12 PLAST.ZN-N
1	421940439981	MANUAL SAE SUP040 RYLO/P FR	43	17000826	BRASS CUPWARMING LID BUSH RYL
1	421940439991	MANUAL SAE SUP040 RYLO/P ES	44	U324.005	NUT M3 FLANGED INDENTED BASE
1	421940440041	MANUAL SAE SUP040 RYLO/P PL	45	421946001171	WHT EXTERNAL BOX RYLO/P SAE 27L.
1	421944015731	MANUAL SAE SUP040 RYLO/P KOR	46	17000723	GREY DUMP BOX GUIDE RYL
2	421944033301	BLK ABS COFFEE MEASURE SMART	47	13001330	INS.GAUCHE DE PROTECTION
3	127390100	BRUSH FOR CLEANING	48	13001319	PS-E RIGHT INSERT FOR BOX RYL
4	421946017941	KLUBERLUB NH1 11-222 TUBE 5GR.	49	421941305141	CRC CAPP.TUBE FRONT.SUPPORT RYLO/T
5	17001480	BLK BEAN CONTAIN.SENSOR SUPP.INSERT RYL			
6	0301.961	STICKER FOR WATER HARDNESS TEST			
7	11001985	BLACK POWER CABLE KOREA L=1200			
7	NE01.093	CABLE ARGENTINA + PLUG EN60320 C13			
7	17800024	BLACK POWER CABLE JAPPON VCTF L=1200MM			
7	183911050	BLACK POWER CABLE SCHUKO L=1200			
7	183921950	POWER CABLE SJT3 USA BLACK UL L=1200			
7	183940650	BLACK POWER CABLE AUSTRALIA L=1200			
8	12001622	SCREW TCB TORX B 3,5X9,5 SCHEET NIK			
9	12000895	SCREW TSP TORX 10 3X10 PLAST.SS			
10	13001640	WHITE BOX RYL/T SAE ROYAL ONE TOUCH CEE			
11	11025728	GLOSS/SPEC.FRONT CASING COVER RYL/T			
12	11025722	LIGHT/GREY STEEL CASING RYL/T ASSY.			
13	17002048	GREY CASING LEFT CLOSING INSERT RYLO/T			
14	11025757	GLOSS/SPEC.FRONT PANEL RYL			
15	11030768	ADHES.SILVER PLATE LOGO SAECO NPR			
16	17000349	BLACK SEAL FOR CUPWARMING LID RYL			
17	17000175	SB/SS CUPWARMING LID RYL			
18	11025729	GLOSS/SPEC.DUMP BOX RYL ASSY.			
19	11021769	BLACK RIGID FOOT FIXING PIN MYB9			
20	129535721	SCREW TSP TORX 10 AB 3,5X9,5 SHEET SS			
21	11021829	BLACK/TRANSP.RIGID FOOT MYB9			
22	0301.041.150	GREY BREW UNIT SUPPORT PLATE ROYAL			
23	0301.020	NIK/BRASS PIN FOR DOOR SUPERAUT.			
24	17000391	BLACK WATER LEVEL SENSOR SUPPORT RYL			
25	0301.019	NIK/BRASS PIN FOR DOOR SUPERAUT.			
26	17000426	GREY CASING RIGHT CLOSING INSERT RYL			
27	421946000521	2P.CONN.SUPPLY CUPWARMER V2 RYL UL ASSY.			
28	421941306721	CPU+SW WATER LEVEL SENSOR V3 ASSY.			
29	17000422	TRANSP.INFRAREDS PLATE RYL			
30	11025771	GLOSS/SPEC.COVER CASING INSERT S/SCR.RYL			
31	421944008921	GLO/SPEC.CASING COVER S/SCR.RYLO/P			
32	WGA431603100	ADHESIVE HEATING-ELEMENT 230V			
32	11000791	ADHESIVE HEATING-ELEMENT 120V			
33	17800442	2POLES CONNECT.SENSOR REED DUMP BOX CST			
34	11025739	SB/SS GROUND CONT.DOOR COVER S/S.RYL ASS			
35	17000239	GREY BEAN CONTAINER SENSOR SUPPORT RYL			
36	11027680	7021/GREY DOOR COVER S/SCR.RYL			
37	U433.001	NAIL 2X06 UNI 7591 BURN.			
38	0301.039.710	7021/GREY DOOR CLOSURE KNOB			
39	0301.040.150	GREY DOOR CLOSURE LEVER			



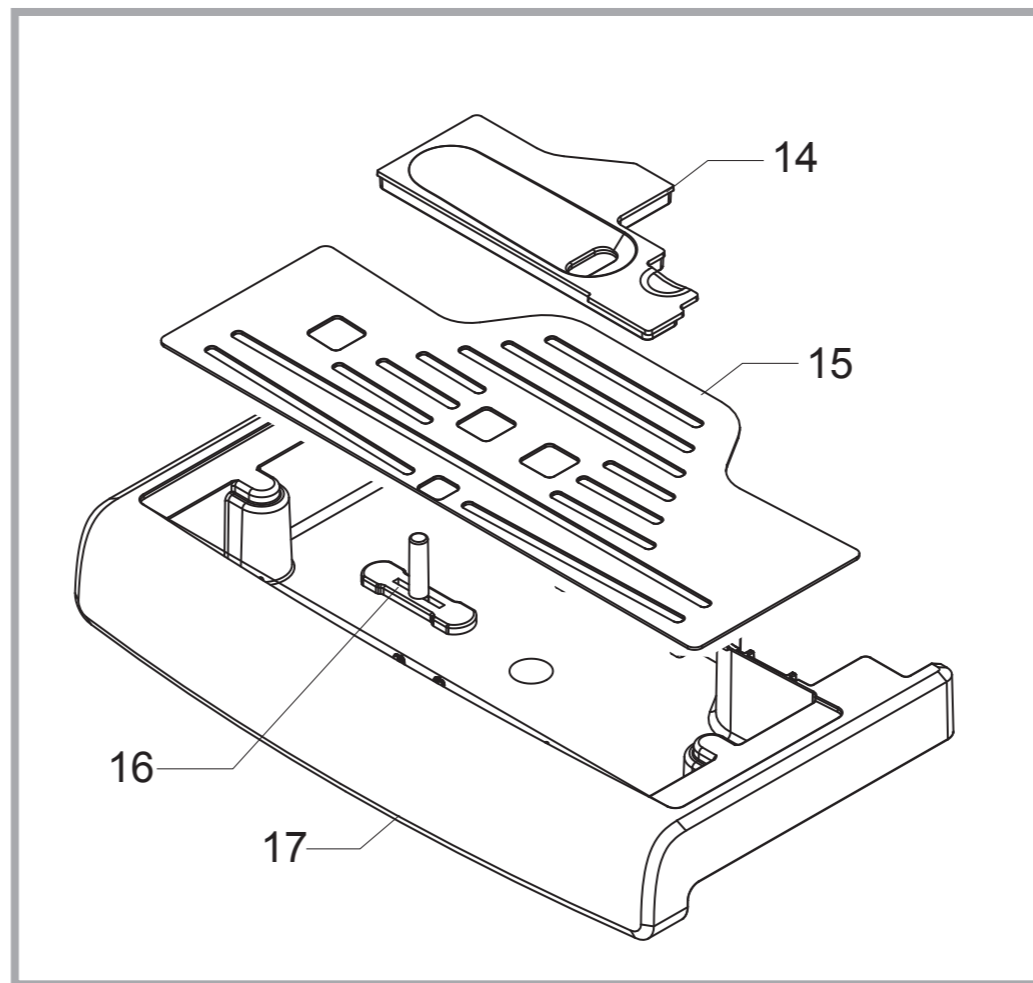
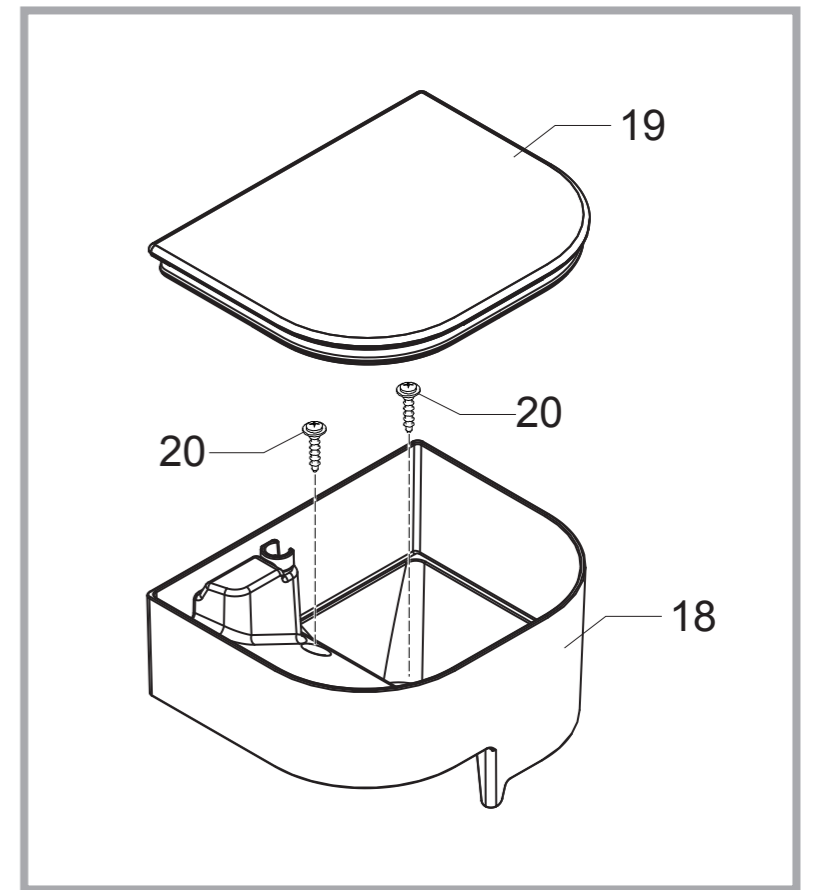
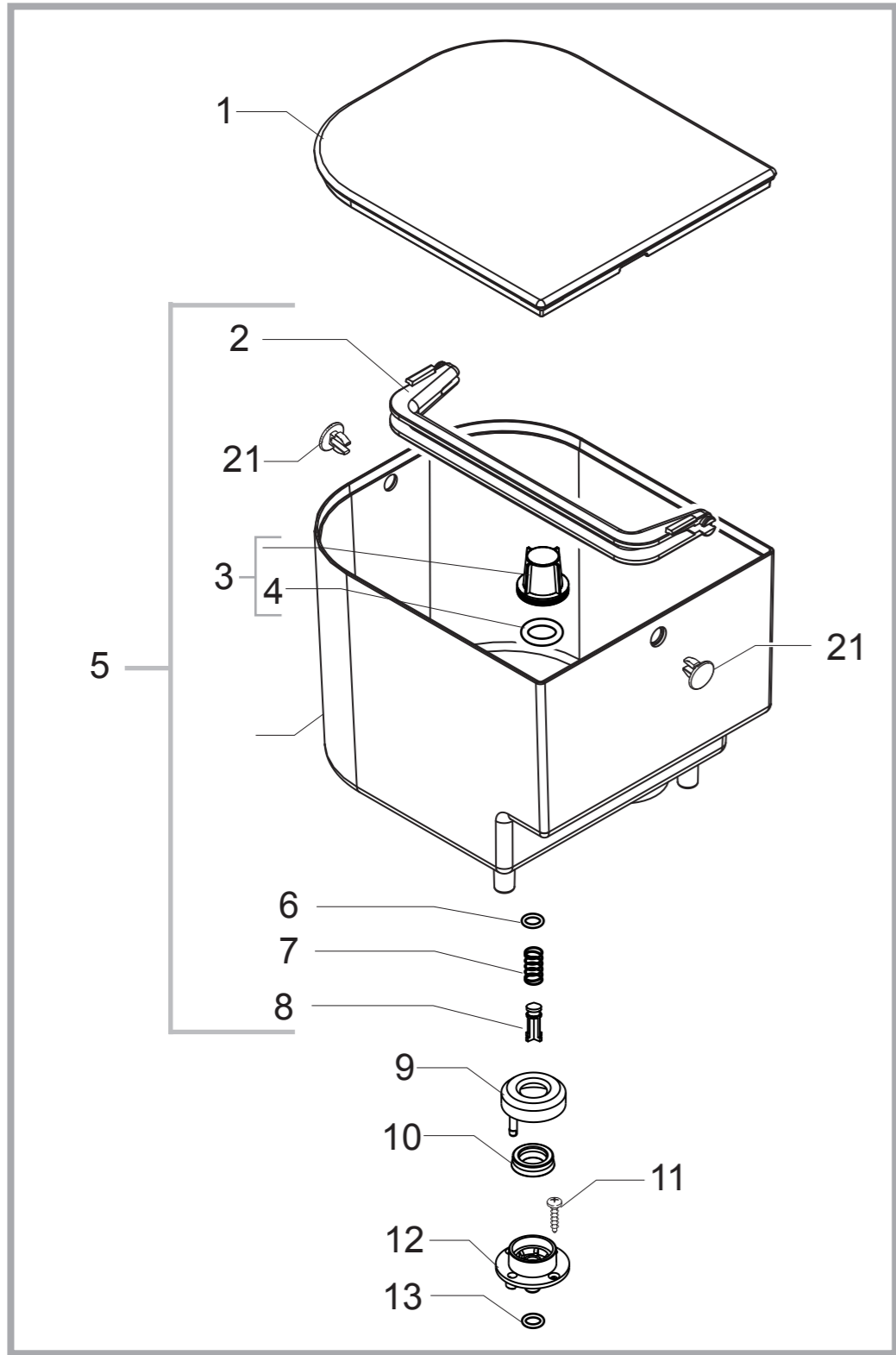
Pos	Article-Nr.	Description	Pos	Article-Nr.	Description
1	11025753	GLOSS/SPEC.FRON.COF.DISP.COVER RYL/T ASS			
2	11025756	GLOSS/SPEC.FRONT COF.DISPENSER COVER RYL			
3	17000251	BLACK INNER BODY COFFEE DISPENS.RYL			
4	11013085	WHITE COFFEE DISPENSER SLIDER MYB9			
5	17000246	BLACK EXT.MOBILE PART COF.DISPENSER RYL			
6	17000248	BLACK REAR COVER COFFEE DISPENSER RYL			
7	140321961	O-RING 2031 TERMOIL			
8	11025760	TF/CHROM.STEAM TUBE RYL			
9	17000672	BLACK REAR STEAM TUBE SUPPORT RYL			
10	17001437	BLACK FRONT STEAM TUBE SUPPORT RYL			
11	17000815	STEEL STEAM TUBE SUPPORT BRACKET RYL			
12	11001624	BLACK STEAM TUBE WASHER P0049			
13	NF11.084	PHOSPH/STEEL FOLK SPRING			
14	11031416	TF/CHROM.STEAM TUBE V3 RYL/T ASSY.			
15	11025731	GLOSS/SPEC.COFFEE DISPENSER RYL ASSY.			
16	17000390	BLACK LOWER CAPPUCCINATORE LID RYL			
17	17000336	MILK INTAKE TUBE CONNECTOR RYL			
18	17000389	GREY LEFT CAPPUCCINATORE INSERT RYL			
19	17000382	SS CAPPUCCINATORE INSERT SPRING RYL			
20	17000402	GREY RIGHT CAPPUCCINATORE INSERT RYL			
21	229363500	SILICONE TUBE 3,5X6 L=400 MM			
22	17000338	BLACK LEFT ENTRY CAPPUCCINAT.CASING RYL			
23	11030240	BLK UPPER CAPPUC.LID LASER-S/SCR.RYL			
24	17000785	BLACK CAPPUC.INPUT MILK CONNECTOR RYL			
25	NM01.028	O-RING 106 SILICONE			
26	17000257	BLACK.COFFEE DISPENSER SUPPORT RYL			
27	11025751	BLACK CAPPUCCINATORE S/SCR.RYL ASSY.			
28	17000337	BLACK SEAL FOR COFFEE DISPENSER RYL			
29	17000616	BLACK COFFEE DISPENSER TUBE RYL			
30	17000614	BLACK DISPENSER COFF.INLET CONNECT.RYL			
31	11014016	SS.INSERT FOR MAGNET MYB9			
32	20007031	BLK CAPPUC.OUTPUT STEAM CONNECT.KIT RYL			
33	17000486	BLK CAPPUCCIN.OUTPUT MILK CONNECTOR RYL			
34	9161.111	MAGNET FOR FLOAT SUPERAUT.			
35	12000450	SCREW TCBR TORX 10 3,5X12 PLAST.ZN-N			
36	17000348	BLK CAPPUCCINATORE BOARD SUPP.COVER RYL			
37	11025772	CAPPUCCINATORE BOARD RYL			
38	17000019	SS CARAFE MICRO INSERT SPRING MYB9			
39	17000421	BLACK CAPPUCCINATORE PRESENCE INSERT RYL			
40	17000339	BLACK CAPPUCCINATORE BOARD SUPPORT RYL			
41	20007030	BLACK OUTPUT STEAM TUBE KIT RYL			
42	17001362	BLK MILK INTAKE TUBE CONNECT.INS.V2 RYL			
43	12001622	SCREW TCB TORX B 3,5X9,5 SCHEET NIK			
44	12000895	SCREW TSP TORX 10 3X10 PLAST.SS			
45	NF11.052	OETIKER CLIP			
46	11031165	TEA/BRASS CAPPUC/STEAM TUBE CONN.V3 RYL			
47	17001574	BLACK STEAM TUBE HANDGRIP RYLO			



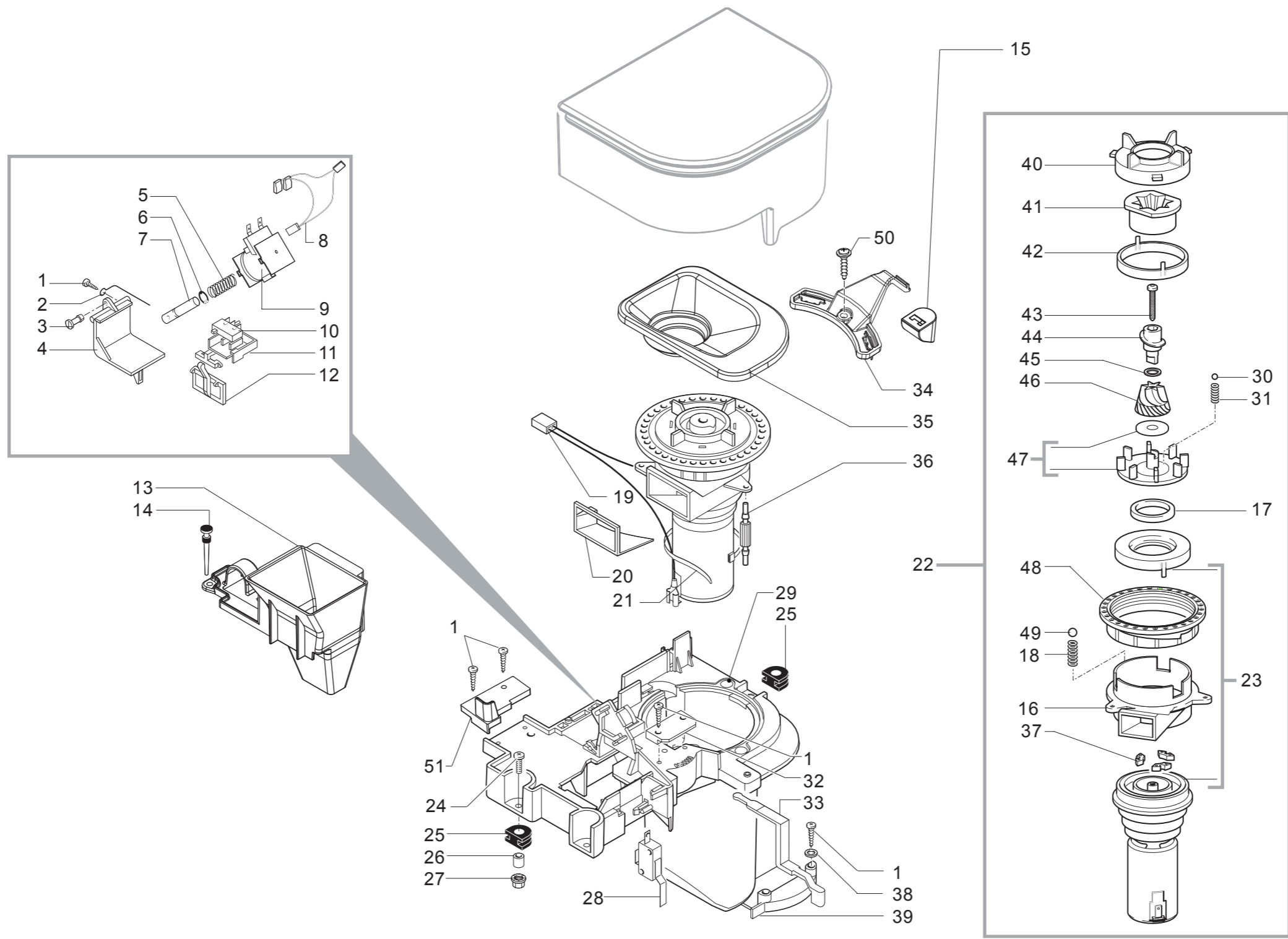
Pos	Article-Nr.	Description	Pos	Article-Nr.	Description
1	17000269	TRANSP.GLASS FOR DISPLAY RYL			
2	17000259	BLACK DISPLAY INSERT RYL			
3	17000271	BLACK DISPLAY SEAL RYL			
4	12001606	AMBER DISPLAY 160x80 0355DP RYL			
5	17001310	BLK RIGHT TOUCH PANEL COVER V2 S/S.RYL/T			
6	17001837	BLK LEFT TOUCH PANEL COVER V2 S/S.RYL/T			
7	17000488	BLACK LEFT TOUCH PANEL SUPPORT RYL			
8	17000244	BLACK RIGHT TOUCH PANEL SUPPORT RYL			
9	17000434	TRANSP.LEFT TOUCH PANEL RYL			
10	17000430	TRANSP.RIGHT TOUCH PANEL RYL			
11	421941302571	CPU+SW RYLO/P ASSY.			
11	421941307841	CPU+SW AS. AULIKA FOCUS V2			
12	17000274	BLACK CPU BOARD SUPPORT RYL			
13	17000275	BLACK PWR BOARD SUPPORT RYL			
14	11030311	PWR BOARD RYLO 230V			
14	421941302411	PWR BOARD RYLO 120V			
15	17000277	BLACK CPU-PWR BOARDS COVER RYL			
16	12000450	SCREW TCB TORX 10 3,5X12 PLAST.ZN-N			
17	129913202	SCREW TCB TORX 10 3X8 PLAST.ZN-B			
18	17001152	POWER BOARD PROTECTION RYL			
19	12001622	SCREW TCB TORX B 3,5X9,5 SCHEET NIK			



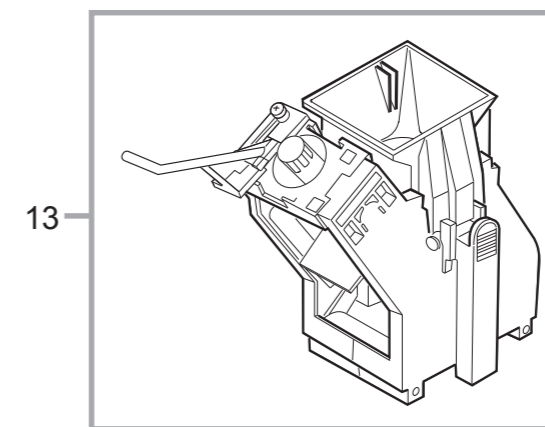
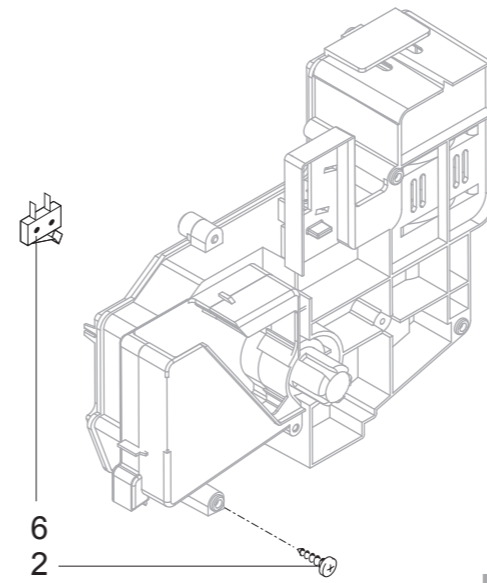
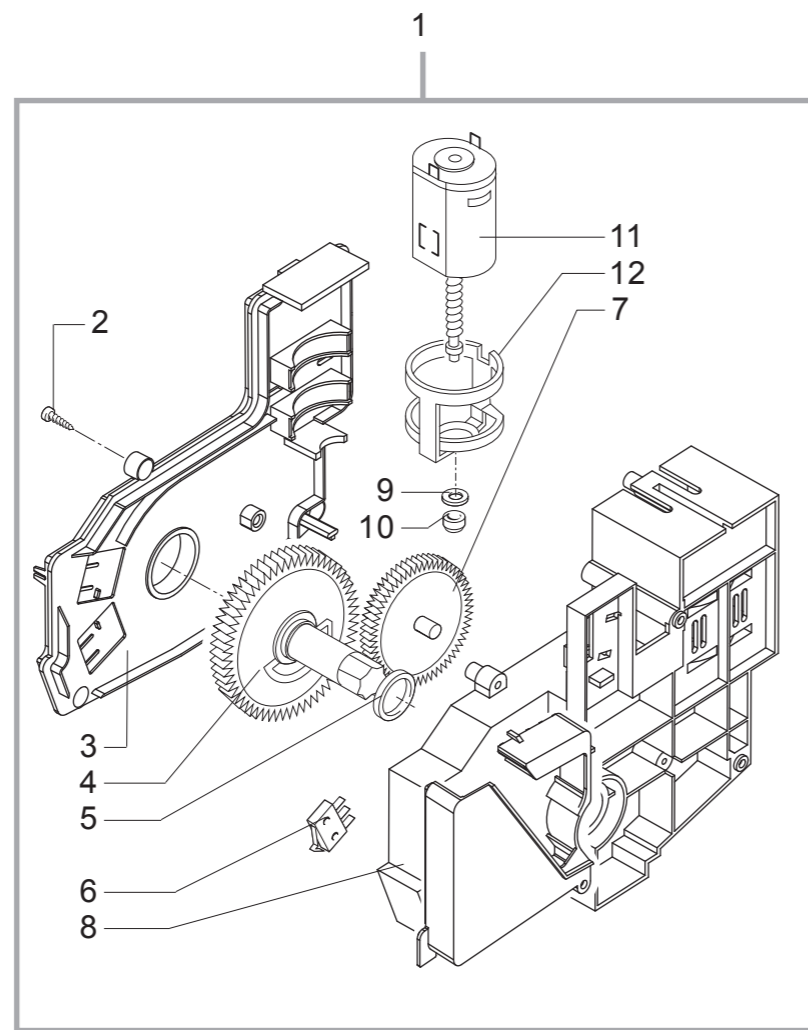
Pos	Article-Nr.	Description	Pos	Article-Nr.	Description
1	11031414	TEA/BRASS ELECTROV.V3 24V RYL/T ASSY.	44	12001348	ULKA PUMP MF 220V-50/60HZ
2	17001178	BLK EV 1/8"GAS.CONNECTOR V2 INSERT RYL	45	17800203	2POLES CONNECTOR STEAM PUMP RYL UL
3	17001909	RED EV CONNECTOR 1/8"GAS SEAL V2 RYL	46	11001054	BLK PUMP OUTLET 90°CONNECTOR P0049/B
4	11027334	TEA/BRASS ELECTROV.CONNECT1/8"GAS V2 RYL	47	11022857	BLACK PUMP SUPPORT GMYB
5	17001262	LFBRASS 2W.EV 21JN1RRV20-X005+LBV05024CU	48	147920150	90° INLET PUMP CONNECTOR
6	11013835	TEA/BRASS CONNECTOR FOR BOILER AURA	49	12000130	ULKA PUMP EP5/S GW 100V-50/60HZ
7	17000428	STEEL CONNECTORS FIXING PLATE RYL	49	12000131	ULKA PUMP EP5/S 120V-60HZ
8	17000168	BLACK ELECTROV/CONNECTOR SUPP.RYL	49	12000182	ULKA PUMP EP5/S GW 220V-60HZ
9	U043.012	SCREW TCB TORX 20 M4X6 ZN-B	49	421941305991	ULKA PUMP EP5FMGW 230V-50HZ
10	17001908	BRASS 4WAYS CONNECT+SAFETY VALVE V3 RYL	50	17800202	2POLES CONNECTOR COFFEE PUMP RYL UL
11	17000166	STEEL STEAM TUBOL.BOILER SUPPORT RYL	51	17000163	STEEL COFFEE TUBOL.BOILER SUPPORT RYL/T
12	12001715	SCREW TCB TORX 20 M4X8 AUTOFORMING ZN-B	52	NE03.038	BIPOLAR SWITCH FUSIT C1250AR
13	12001622	SCREW TCB TORX B 3,5X9,5 SCHEET NIK	53	12001883	CUP SOCKET V3 EN 60320 C 13
14	11025744	TEA/BRASS HOT WATER PIN RYL ASSY.	54	17000162	BLACK SOCKET-SWITCH SUPPORT RYL
15	147756562	BLK PROTECTION FOR FOLK SPRING TUBE D=4	54	11028204	BLACK SOCKET-SWITCH SUPPORT RYL UL
16	11025742	BLOWDOWN VALVE V3 RYL 230V ASSY.	55	17000160	BLACK COMPONENTS SUPPORT RYL
16	11028187	BLOWDOWN VALVE V3 RYL 120V ASSY.	56	17000165	BLACK DRIP TRAY PROTECTION RYL
16	11028161	BLOWDOWN VALVE V3 RYL 220V-60HZ ASSY.	57	12000450	SCREW TCB TORX 10 3,5X12 PLAST.ZN-N
16	421946018141		58	11003555	GALVANIZED SELF-TAPPING SCREW 4,8X32
17	184320200	SPRING HOSE CLAMP D=9,5MM	59	128310521	WASHER UNI 8842 A5 SS
18	16000380	5X8,9 SILICONE TUBE IN ROLL	60	17000156	BLACK HOT WATER PIN SUPPORT RYL
19	JS01.022	SILICONE TUBE 5X10 60SH IN ROLL	61	140328059	OR 2015 SILICONE PTFE/FDA
20	140326662	OR ORM 0040-20 SILICONE	62	11000750	TEA/BRASS CONNECTOR FOR SILICONE TUBE
21	11026413	TEA/BRASS HOT WATER PIN PLUG RYL	63	12000892	OETIKER CLAMP D=9,5 16700004
22	9011.132	SS SPRING FOR PIN	64	NV99.099	TURBINE D=1,2 932-8521/00 ASSY.
23	9161.434	HOT WATER PIN	65	421946001551	6P.CONN.FLOWMETER V3 RYL UL ASSY.
24	9011.144	SS FORK FOR TUBE D=4	66	12001595	TRANSP/WHITE ASPIRATION FILTER MDS
25	NM01.035	OR ORM 0090-20 SILICONE	67	147920300	TRANS.CONNECTOR D=8 ART.80.26.047 KA.461
26	NM01.057	OR ORM 0050-20 IN SILICONE	68	17800442	2POLES CONNECT.SENSOR REED DUMP BOX
27	11009013	TEA/BRASS PIN FOR PISTON L=10	100	11028182	COFFEE TUB.BOILER 120V RYL/T ASSY.
28	11009012	TEA/BRASS BOILER PIN BUSH	100	11025705	COFFEE TUB.BOILER 230V RYL/T ASSY.
29	11009019	TEA/BRASS PISTON L=20,9 ASSY.	100	11025706	STEAM TUB.BOILER 230V RYL ASSY.
30	11005099	NATURAL CURSOR V2 FOR BOILER P119	100	421946018111	
31	129913902	SCREW TCB TORX 10 3X12 PLAST.ZN-B	100	421946018121	
32	11023282	BLACK SLIM TUB.BOILERS SUPPORT MYB9	101	11028183	STEAM TUB.BOILER 120V RYL ASSY.
33	129573402	SCREW TAPT M4X10 DIN 7985 GALV			
34	11024193	SLIM TUB.BOILER 1100W 100V ASSY.			
34	11013735	SLIM TUB.BOILER 1300W 230V ASSY.			
34	11023153	SLIM TUB.BOILER 1300W 120V ASSY.			
35	190800100	TEMPERATURE SENSOR NTC UL L=280MM			
36	12001369	SCREW TSP TORX 10 5X35 PLAST.SS			
37	12001033	THERMOSTAT ONE SHOT 190°			
38	11001751	TUB.BOILER V3 UPPER THERM.FIXING SPRING			
39	128310402	GALV.WASHER UNI 8842 A4			
40	124390520	BRASS BENT FASTON 45° 6,3X0,8			
41	17000471	BLACK BOILER ANTIVIBRATION RYL			
42	11029554	BLACK/SBD ULKA MF PUMP SUPPORT			
43	11012193	90° INLET CONNECTOR FOR PUMP ULKA MF			
44	12001212	ULKA PUMP MF 230V-50HZ			
44	12001346	ULKA PUMP MF 120V-60HZ			
44	12001347	ULKA PUMP MF 100V-50/60HZ			



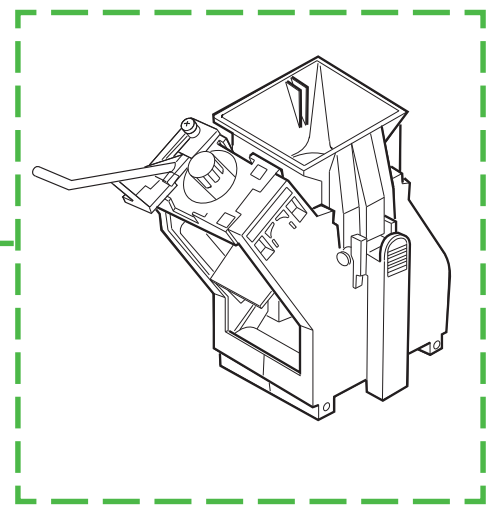
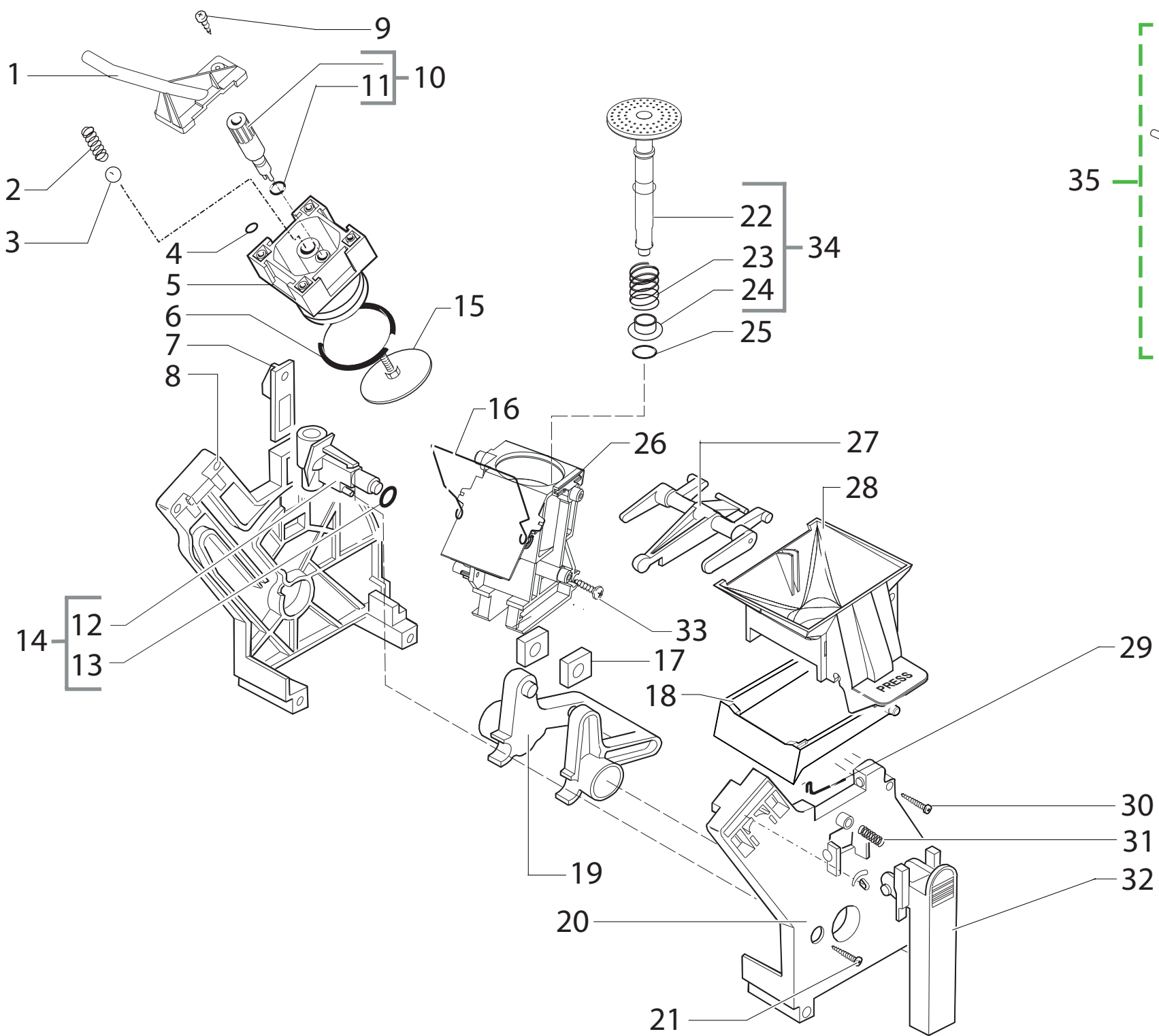
Pos	Article-Nr.	Description	Pos	Article-Nr.	Description
1	11027653	GLOSS/SPEC.WATER CONTAINER LID RYL			
2	17000174	BLACK WATER CONTAINER HANDLE RYL			
3	224640200	WHITE WATER CONTAINER EXT.FILTER ASSY.			
4	140328461	OR ORM 0190-10 EPDM			
5	11025725	NAT/GREY WATER CONTAINER S/SCR.RYL ASSY.			
6	140324362	OR ORM 0060-30 SILICONE			
7	126764718	SS WATER CONTAINER VALVE SPRING			
8	147660562	GREY PISTON FOR WATER CONTAINER VALVE			
9	0701.031.150	GREY WATER VALVE GACO DIM 14 SEAL COVER			
10	145842900	NBR WATER CONT.VALVE GACO DIM14 SEAL			
11	12000895	SCREW TSP TORX 10 3X10 PLAST.SS			
12	0701.014.150	GREY WATER VALVE GACO DIM 14 SEAL CONT.			
13	140320461	OR ORM 0080-20 TERMOIL			
14	17000982	BLACK DRIP TRAY COVER RYL			
15	17000183	BA/SS DRIP TRAY GRATE RYL/T			
16	17000991	RED FLOAT V2 FOR DRIP TRAY RYL			
17	11025730	GLOSS/SPEC.DRIP TRAY RYL ASSY.			
18	17000188	NAT/GREY BEAN CONTAINER RYL			
19	11027679	GLOSS/SPE.BEAN COF.CONT.LID RYL ASSY.			
20	12001431	SCREW TCB TORX 10 3X12 PLAST.SS			
21	17001255	BLACK PLUG FOR WATER CONTAIN.HANDLE RYL			



Pos	Article-Nr.	Description	Pos	Article-Nr.	Description
1	129913902	SCREW TCB TORX 10 3X12 PLAST.ZN-B	51	17001155	GREY COVER FOR DOSER HOLE RYL
2	9161.048	STEEL GROUND COF.DOSER SCRAPER ROD			
3	9161.076.150	GREY GROUND COF.DOSER DOOR PIN			
4	9161.074.150	GREY GROUND COFFE DOSER DOOR			
5	126764818	SPRING ELECTROM.BEAN DOSER MAGIC			
6	U701.003	SNAP RING 7 UNI 7434			
7	9161.041	STEEL GROUND COF.DOSER ELECTROMAGN.CORE			
8	17800211	4POLES CONNECT.COIL+DOSER MICRO RYL UL			
9	11025734	DOSER COIL FOR SUPERAUTOM.24V DC ASSY.			
10	NE05.017	MICROSWITCH			
11	9161.072.150	GREY MICRO SUPP.CURSOR GROUND COF.DOSER			
12	9161.073.150	GREY GROUND COF.DOSE CONTROL COMPENSATOR			
13	17000176	BLACK HOPPER FOR POWDER COFFEE RYL			
14	9161.082	RUBBER COUPLER			
15	17000351	BLK/EPDM GRIND.ADJUS.LEVER HANDGRIP RYL			
16	9141.080	BLACK COFFEE GRINDER MOTOR SUPPORT			
17	140360200	FELT RING 40X34X5			
18	126770117	NEW SPRING SPHERE D=3,2 MOTOR MAGIG			
19	421946000531	2P.CONN.GRINDER MOTOR V2 RYL UL ASSY.			
20	1505.014	COFFEEGRINDER SEAL			
21	144320200	SELF LOCK STRIP W=2.6 L=200			
22	9140.036.00A	COFFEE GRINDER STD 230V ASSY.			
22	9140.036.00F	ASS.MOTOR STD 120V			
22	9140.036.00R	ASS.MOTOR STD 100V 50/60HZ			
23	0301.R10.00A	SPARE MOTOR UNIT MC 230V			
24	U043.004	ZN-B TCB TORX 20 M4X16 ZN-B			
25	9991.005	RUBBER FOR COFFEE GRINDER			
26	9141.003	SPACER FOR RUBBER			
27	U324.006	NUT M4 FLANGED INDENTED BASE			
28	12001605	MICROSWITCH			
29	9161.365.150	GREY PLATE COFFEEGRINDER MAGIC/ROYAL			
30	128610521	STAIL.STEEL AISI 304 SPHERE D=5,5MM			
31	126765517	STEEL SPRING SPHERE D=5,5 MOTOR MAGIC			
32	9161.097.150	GREY GROUND COF.DOSER LEVER FIXING PLATE			
33	0313.003.150	7016/GREY GROUND COF.DOSER ADJUSTM.LEVER			
34	17000198	BLACK GRINDING ADJUSTM.LEVER RYL			
35	17000238	COFFEE GRINDER SOUNDPROOFING COVER RYL			
36	9991.103	ANTIVIBRATION FOR COFFEEGRINDER			
37	140230400	SHOCK ABS .CONICAL GRINDER SUPP.MAGIC			
38	U201.001	PLAIN WASHER 3,2X9 DIN 7349 GALV.			
39	9161.403.150	GREY COFFEE DOSE ADJUSTAMENT SCALE			
40	149186150	BLACK UPPER GRINDER SUPPORT MAGIC			
42	142844550	UPPER GRINDER COVER COFFEE GRIND. MAGIC			
43	129931002	TORX SCREW T10 TCB 3,5X40 SX ZNG			
44	147470763	BLK INCREASE SCREW PIN COF.GRINDER MAGIC			
45	U201.002	PLAIN WASHER 10X16X0,2DIN 988 GAL			
46	226473500	KIT TECNA GRINDERS			
47	149188750	CONICAL GRIND. SUPP. + RING MAGIC			
48	146570950	RING NUT FOR GRINDING ADJUSTMENT MAGIC			
49	128610421	STAIL.STELL AISI 304 SPHERE D=3,2MM			
50	12000450	SCREW TCB TORX 10 3,5X12 PLAST.ZN-N			



Pos	Article-Nr.	Description	Pos	Article-Nr.	Description
1	11025736	RATIOMOTOR RYL ASSY.			
2	129670202	TCB PANELVIT SCREW 3,5X16 TESTA D=8 ZNP			
3	17000719	GREY RATIOMOTOR LID RYL			
4	11007137	BLACK GEAR Z=77 V2 FOR RATIOMOTOR P124			
5	9161.368	MYLAR WASHER FOR RATIOMOTOR			
6	NE05.038	MICROSWITCH SAIA XCG5-81-P5			
7	146002800	GREY GEAR Z=13/90 FOR RATIOMOTOR P124			
8	11026258	GREY RATIOMOTOR CASING WITH TUBE ASSY.			
9	148380200	BAKELIZZATE WASHER D=5,5			
10	9121.046	BRONZE SINTERED BUSH FOR MOTOR RATIOMOT.			
11	11005214	MOTOR FOR RATIOMOTOR P124 ASSY.			
12	9121.044	ANTIVIBRATION FOR MOTOR			
13	11003800	BLACK BREW UNIT MAGIC/ROYAL			



Pos	Article-Nr.	Description
1	11003789	BLACK COFF.OUTLET SLEEVE BREW UNIT ROYAL
2	9161.222	SS.CONICAL SPRING
3	421944034451	BOROSILICATE SPHERE D.5 MM
4	11021334	BLK COUNTERPISTON SEAL DE=11 DI=8 SP=1,4
5	11003796	BLACK BREW UNIT COUNTERPISTON M5000
6	NM01.044	OR ORM 0320-40 SILICONE PTFE/FDA
7	11004114	BLACK BREW UNIT COUPLING PLATE
8	421941158532	BLACK BREW UNIT REAR PLATE V2 M5000
9	U140.019	SCREW TCB TORX 10 3X16 PLAST SS
10	227470150	PIN BLACK ASS.FOR PERCOLATOR
11	NM02.006	OR R5 TERMOIL
12	9161.064.050	BLACK WATER INLET SLEEVE BREW UNIT ROYAL
13	NM02.007	OR 2025 IN TERMOIL
14	20000440	BLACK WATER INLET SLEEVE BREW UNIT ASSY.
15	9160.075	PERCOLATOR DE=35,8 ELFO ASSY.
16	11001556	SS BREW UNIT SPRING H=49 SMART
17	9161.094.050	BLACK BREW UNIT DRILLED BLOCK
18	11004161	BLACK SCRAPER FOR BREW UNIT M5000
19	9161.066.050	BLACK BREW UNIT ELBOW SHAFT M5000
20	11003793	BLACK BREW UNIT FRONT PLATE M5000
21	12000550	SCREW TCB TORX 10 3X25 PLAST.SS
22	11003077	BLK BREW UNIT INTEGRAL PISTON 8GR.ASSY.
23	9161.198	SS.8GR.BREW UNIT PISTON SPRING
24	9161.191	WHITE 8GR.-12GR.BREW UNIT PISTON BUSH
25	NM02.018	OR ORM 0090-25 TERMOIL
26	421944014611	BLK COF.CONTAIN.BREW UNIT V2 M5000 ASSY.
27	11003078	BLACK CONNECTING ROD BREW UNIT 8GR.
28	11003795	BLACK HOPPER COFF.BREW UNIT S/SCR.M5000
29	9161.046	SS SCRAPER SPRING FOR BREW UNIT
30	12000897	SCREW TCB TORX 10 3,5X20 PLAST.SS
31	9161.045	SS BREW UNIT HANDGRIP SPRING M5000
32	11003791	BLACK BREW UNIT HANDGRIP M5000
33	129912521	SCREW TCBR TORX 10 3,5X14 PLAST.SS
34	11023086	BLK 8GR.BREW UNIT NTEGR.PISTON GEN.ASSY.
35	11003800	BLACK BREW UNIT MAGIC/ROYAL

Pos	Article-Nr.	Description
-----	-------------	-------------