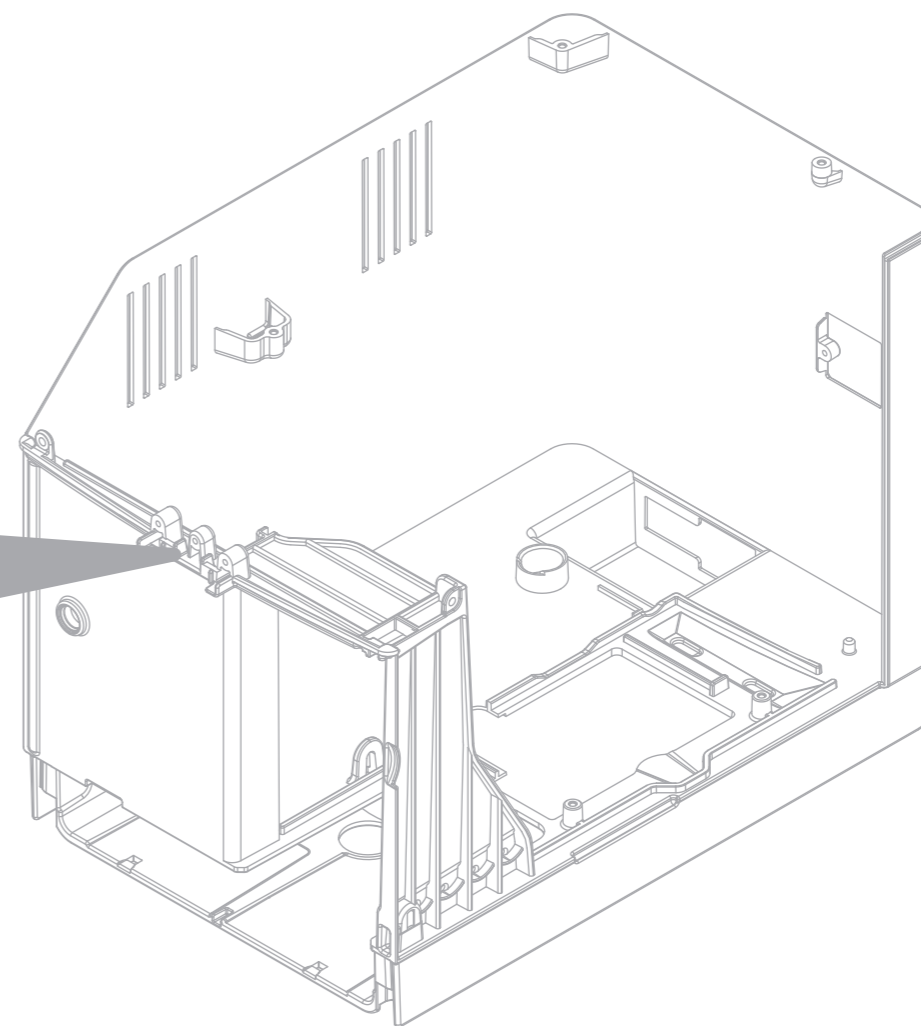
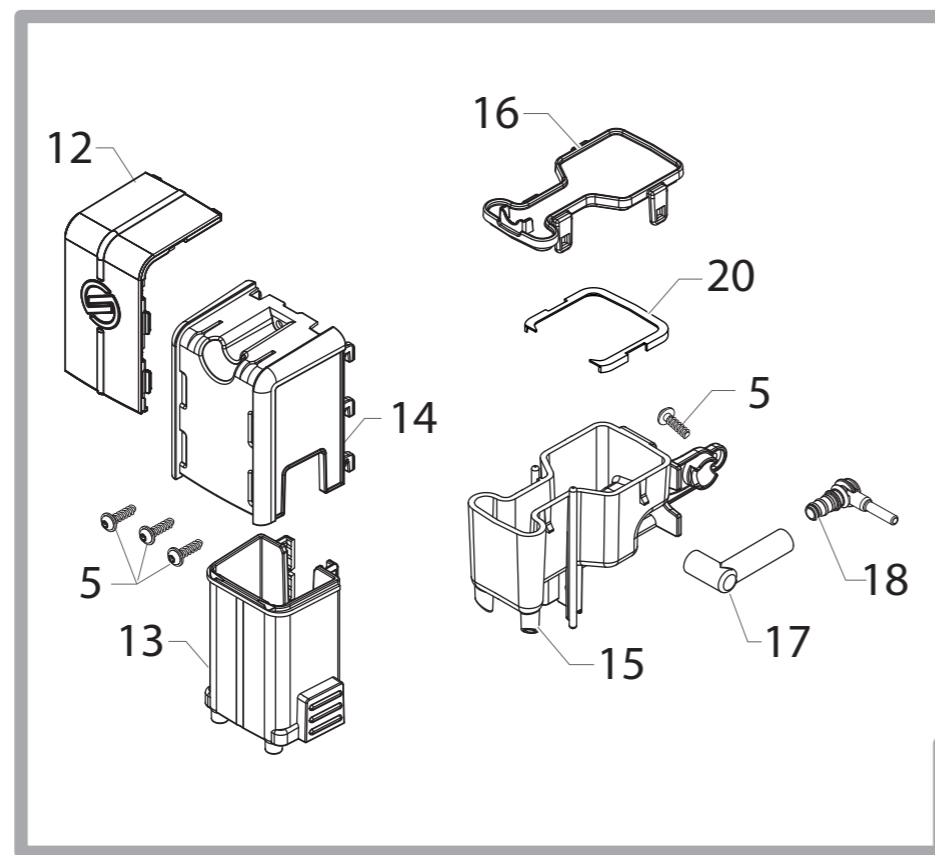
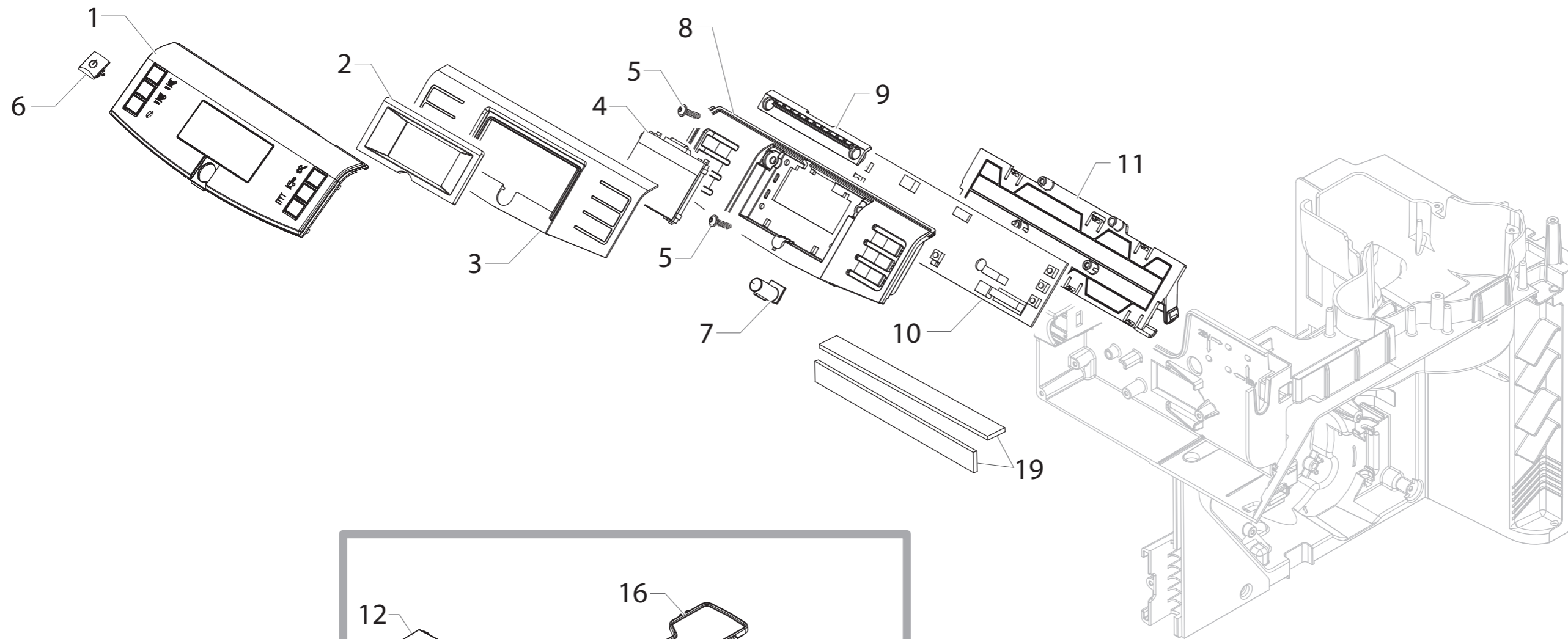


Pos	Article-Nr.	Description	Pos	Article-Nr.	Description
1	421944059671	TRANSP/GRY BEAN COF.CONTAINER V3 SMRO	42	421944009421	BLK REED SUPPORT SMRO
2	11003785	BLACK GRINDER ADJUSTMENT KEY P0049	43	17800442	2POLES CONNECT.SENSOR REED DUMP BOX
3	11004246	BLACK POWER CABLE TAIWAN HVCTF L=1200	44	12000895	SCREW TSP TORX 10 3X10 PLAST.SS
3	11004247	BLACK POWER CABLE RVV 3X1 CHINA L=1200	45	421944032361	FRONT PLUG UPPER COVER CASING SMRO
3	11001985	BLACK POWER CABLE KOREA L=1200	46	421944032481	BACK PLUG UPPER COVER CASING SMRO
3	17800019	BLACK POWER CABLE BRAZIL L=1200			
3	17800024	BLACK POWER CABLE JAPPON VCTF L=1200MM			
3	183911050	BLACK POWER CABLE SCHUKO L=1200			
3	183921950	POWER CABLE SJT3 USA BLACK UL L=1200			
3	421946030481	GRY POWER CABLE ARGENTINA L=2000			
4	129913202	SCREW TCB TORX 10 3X8 PLAST.ZN-B			
5	421944055261	PS-E UPPER INSERT FOR BOX SMRG/TE			
6	13001671	PS-E LOWER INSERT FOR BOX SMR			
7	421940312311	WHT EXTERNAL BOX SMRO SAE LIRIKA			
8	421941304791	RED/3003 FLOAT FOR DRIP TRAY XSM			
9	17001568	MATT/BLACK DRIP TRAY SMR/B-H-P			
10	17001032	SB/SS GRATE FOR DRIP TRAY SMR/B-H-P			
11	421944014751	CRC DRIP TRAY INSERT V2 SMR			
12	12000280	CUP SOCKET EN 60320 C 13			
13	17001005	BLACK DUMP BOX INSERT NPR			
14	421944060591	BLK DUMP BOX V2 SMR			
15	17001556	TRANSP.SILICONE FOOT SMR			
17	421941306521	CPU+SW SMRO 120V ASSY.			
17	421941306621	CPU+SW SMRO 100V ASSY.			
17	421941307781	CPU+SW H2S2 230V ASSY			
18	17001484	MATT/BLK REAR CASING PROGRAM.INSERT NPR			
19	11031661	CRC FRONT PANEL CAP SMR			
20	421944060271	TRANSP/GRY WATER CONTAINER V2 SMRO ASSY			
21	17001366	BLACK LID FOR DUCKBILL VALVE SMR			
22	11003671	TRANSP.VALVE FOR WATER CONTAINER P0049			
23	421941157852	GRY WATER CONTAINER VALVE INSERT P0049			
24	11003672	SS SPRING FOR WATER CONTAIN.VALVE P0049			
25	140328461	OR ORM 0190-10 EPDM			
26	224640200	WHITE WATER CONTAINER EXT.FILTER ASSY.			
27	11023155	BLACK WATER CONTAINER HANDLE MDS			
28	17001474	BLACK WATER LEVEL SENSOR SUPPORT SMR			
29	11003232	AS.CPU+SW WATER LEVEL SENSOR V2			
30	421946000021	3P.CONN.WATER LEVEL SMR UL ASSY.			
31	12001728	SCREW TCB TORX 10 3,5X12 PLAST.SS			
32	421944015441	CRC WATER CONTAINER LID SMRO			
34	421944024301	CRC BEAN COF.CONT.LID SMRO ASSY.			
34	421944015421	CRC BEAN COF.CONT.LID SMRO			
35	11031523	BLACK INFRAREDS PLATE RYL			
36	9161.111	MAGNET FOR FLOAT SUPERAUT.			
37	11013220	STEEL PLATE FOR DOOR MAGNET XSM			
38	17001065	MATT/BLACK RIGHT SIDE DOOR SMR			
39	421944027491	CRC UPP.CASING COVER V3 S/SCR.SMRO			
39	421944027511	CRC UPP.CASING COVER V4 S/SCR.SMRO			
40	242212625104	SWI POW 2P 12A 250V FASTON GP12H B			
40	242212625106	SWI POW 2P 10A 250V FASTON 8500 B			
41	17000674	BLACK WATER DRAINAGE CONVEYOR SMR/B-T			

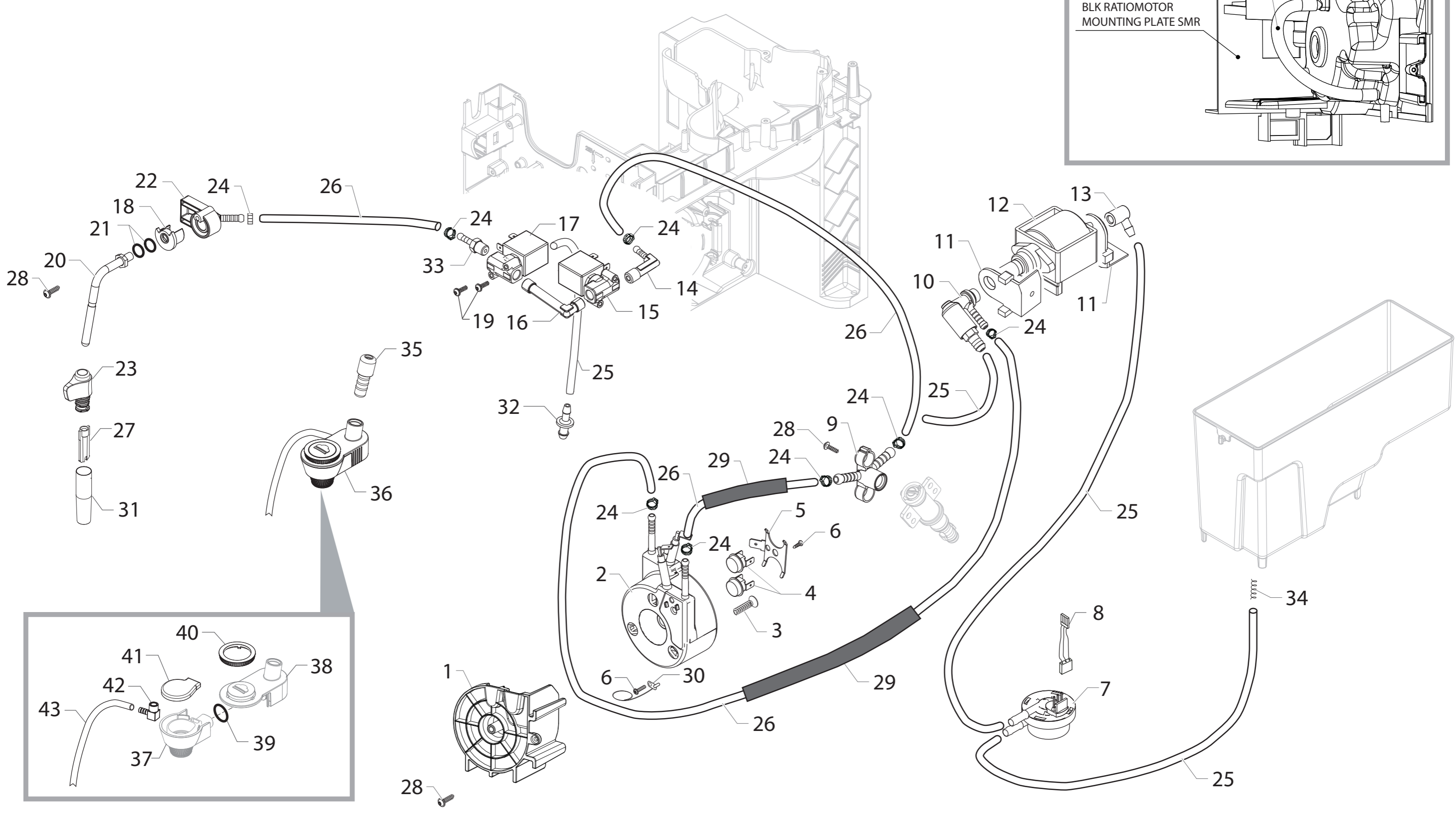
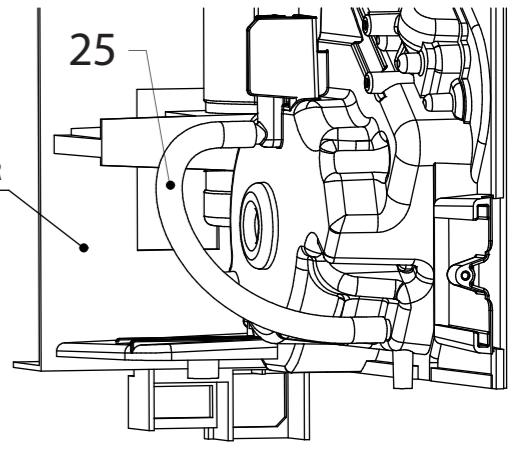


Pos	Article-Nr.	Description
1	421944012351	SS DISPLAY FRONT PANEL S/SCR.SMRO/P ASSY
2	17001270	BLACK DISPLAY FRAME SMR
3	421944025241	BLK FRONT PANEL MEMBRANE V3 SMR/H-P-T
4	421941300941	DISPLAY LCD 128X64 SMR
5	12000450	SCREW TCBR TORX 10 3,5X12 PLAST.ZN-N
6	421944009351	TRANSP.STAND-BY BUTTON S/SCR.SMRO
7	17002075	WHITE STAND-BY BUTTON LIGHT GUIDE SMR
8	421944017321	BLK DISPLAY SUPPORT V2 SMR/H-P-T ASSY.
9	17001253	BLK FRONT.PANEL MEMBRANE SUPP.SMR/H-P-T
10	421941303001	KYB - DISPLAY SMR/H 230V
10	421941303571	KYB - DISPLAY SMR/H 120V
11	17000704	BLACK DISPLAY KEYBOARD SUPPORT SMR
12	17002122	SS COFFEE DISPENS.FRONT PLATE SMR ASSY.
13	421944008261	M/BLK COF.DISPEN.MOBILE PART SMR ASSY.
14	17002059	MATT/BLACK COFFEE DISPENSER LID SMR
15	17001022	BLACK COFFEE DISPENSER BODY SMR
16	421944017631	BLK COFFEE DISPENSER BODY LID V3 SMR
17	17000955	TRANS.BREW UNIT COF.OUTLET CONN.TUBE SMR
18	17001849	BLK BREW UNIT COFFEE OUTLET CONNECT.SMR
19	421944008251	BLK ADH.AERSTOP SMR
20	421944017651	WHT COFFEE DISPENSER BODY SEAL SMR

Pos	Article-Nr.	Description
-----	-------------	-------------

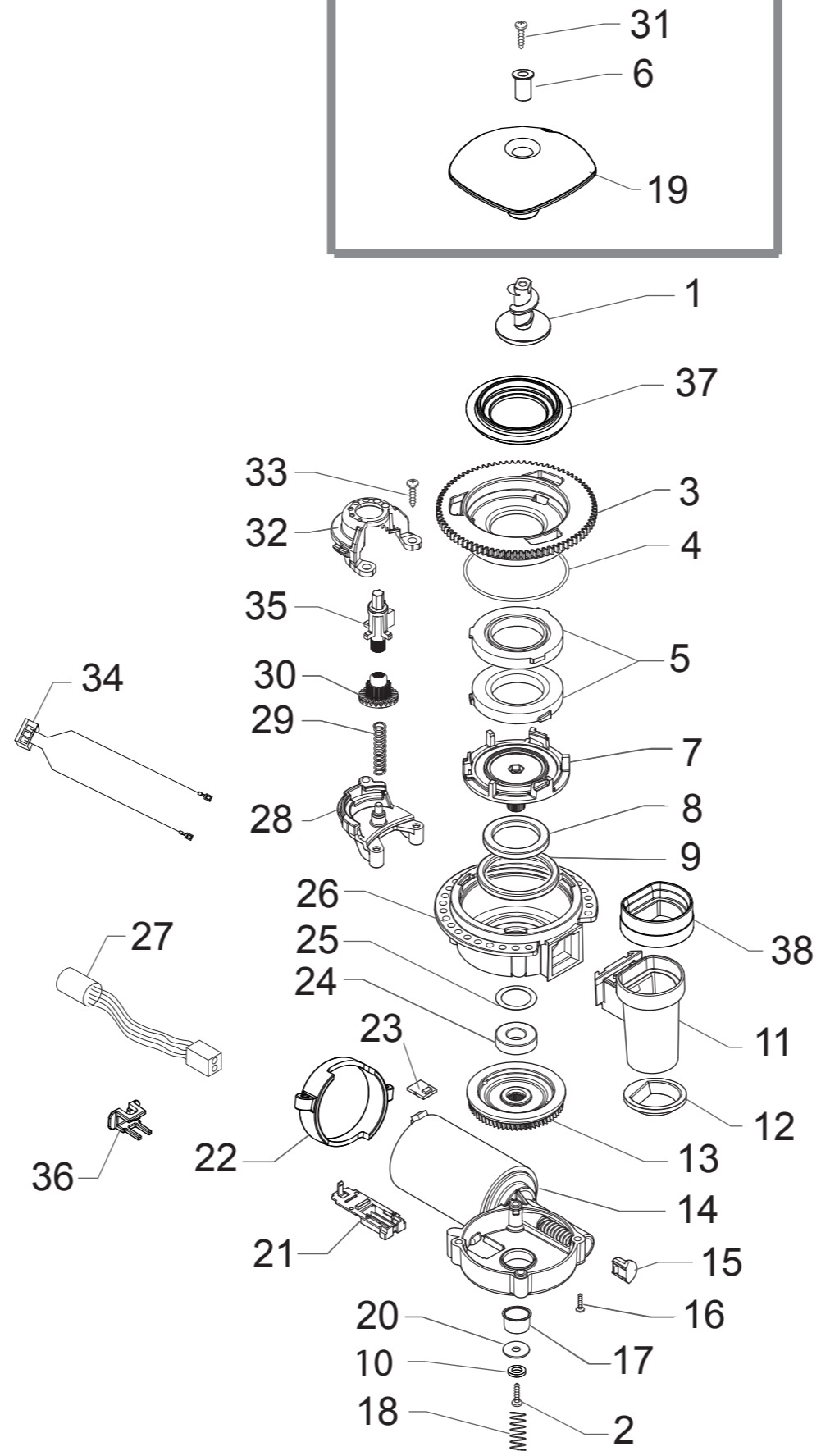
3D VIEW TO INDICATE THE INSTALLATION OF THE EXHAUST PIPE FOR COMPARTMENT TANK

BLK RATIO MOTOR MOUNTING PLATE SMR

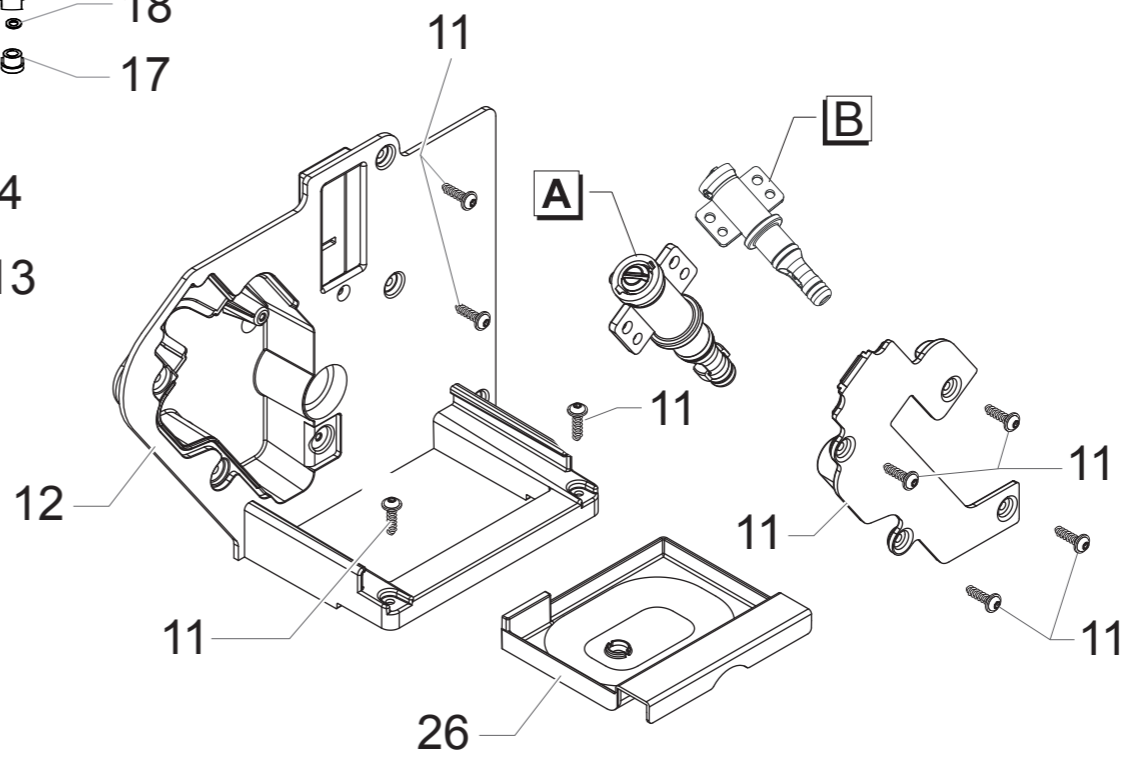
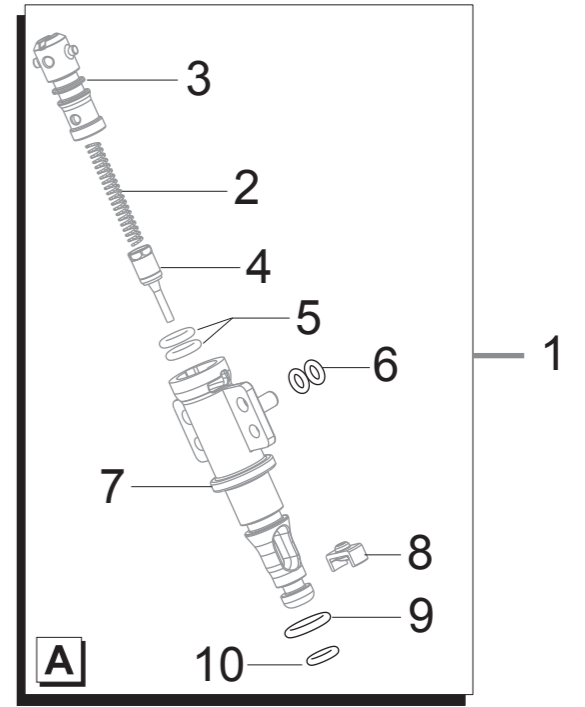
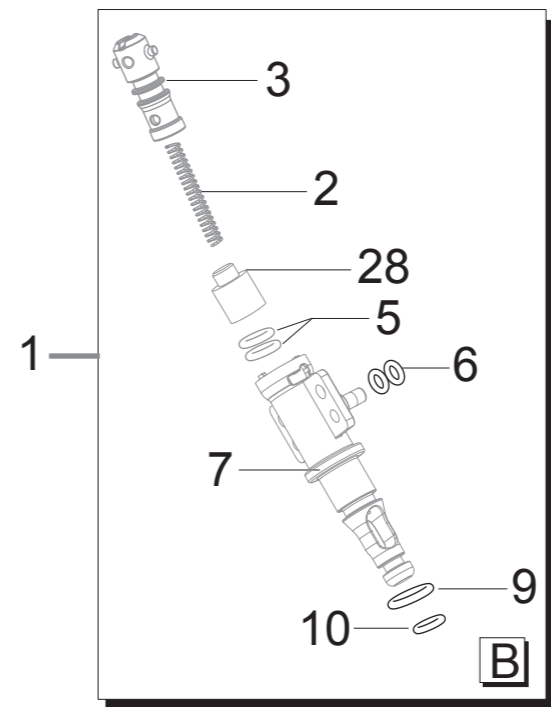
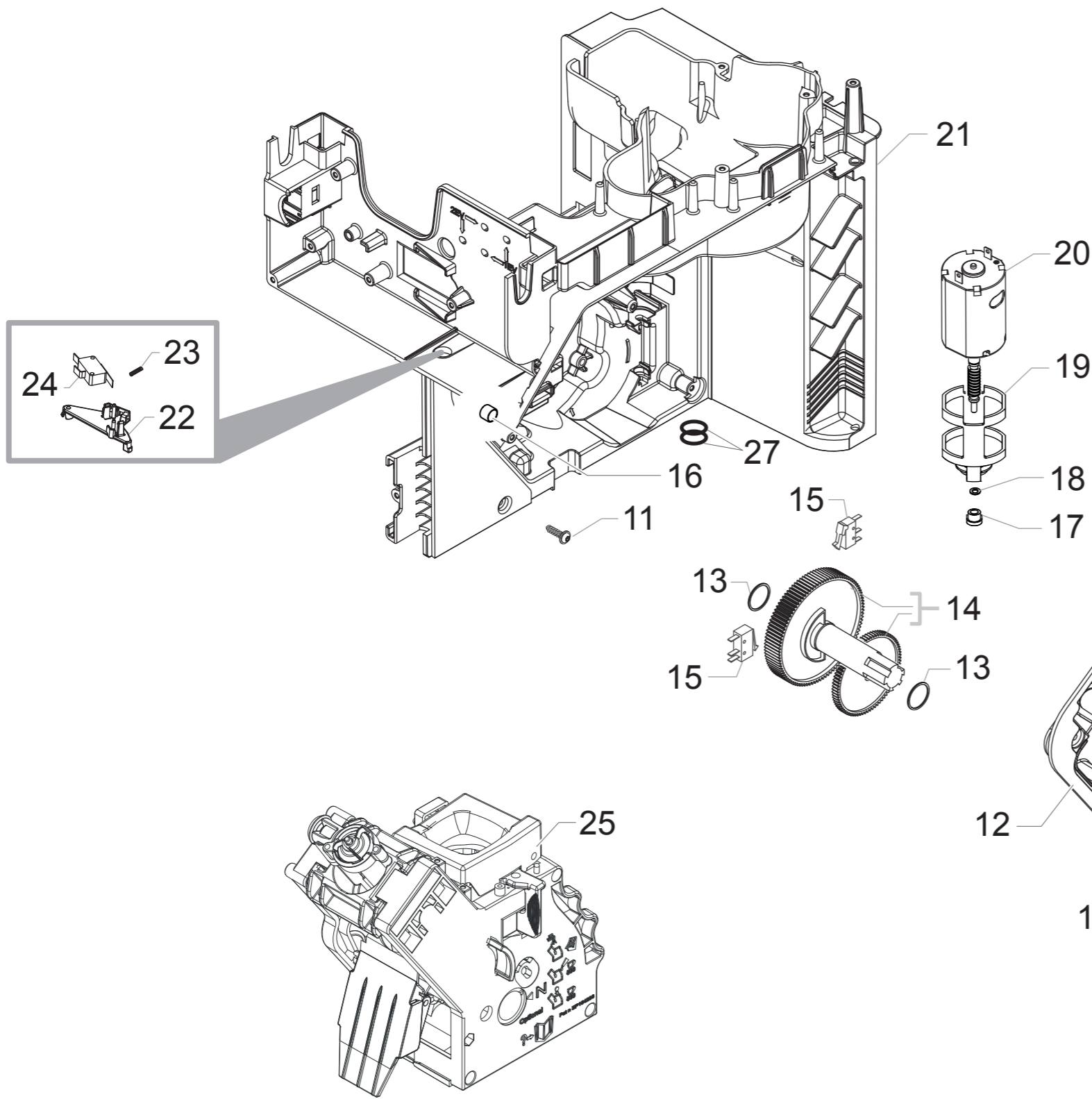


Pos	Article-Nr.	Description	Pos	Article-Nr.	Description
1	421944040831	BLK SLIM TUB.BOILER SUPPORT V2 SMR			
2	11023153	SLIM TUB.BOILER 1300W 120V ASSY.			
2	11024193	SLIM TUB.BOILER 1100W 100V ASSY.			
2	17000346	HP/SLIM TUB.BOILER 1900W 230V ASSY.			
3	12001280	SCREW TSP TORX 10 5X20 PLAST.ZN-B			
3	12001369	SCREW TSP TORX 10 5X35 PLAST.SS			
4	12001033	THERMOSTAT ONE SHOT 190°			
5	11001751	TUB.BOILER V3 UPPER THERM.FIXING SPRING			
6	12001715	SCREW TCB TORX 20 M4X8 AUTOFORMING ZN-B			
7	NV99.099	TURBINE D=1,2 932-8521/00 ASSY.			
8	17800686	3POLES CONNECTOR FLOWMETER SMR UL			
9	17000727	BLACK CONNECTOR FOR PIN BOILER SMR			
10	11004689	TEA/BRASS SAFETY VALVE 16-18 BAR ASSY.			
11	149205850	BLACK TYPE ULKA PUMP W/BEVEL SUPPORT			
12	12000130	ULKA PUMP EP5/S GW 100V-50/60HZ			
12	12000140	ULKA PUMP EP5/S GW 230V-50HZ			
12	12000142	ULKA PUMP EAP5/S 120V-60HZ			
12	12000182	ULKA PUMP EP5/S GW 220V-60HZ			
13	11002149	BLACK PUMP OUTLET 90°CONNECTOR P0049/A			
14	17001269	L-F/BRASS 90°CONNECT.FOR FAUCET EV.NPR/T			
15	11024038	BRASS 2WAY EV 21JN1RRV20-XT+LBV05024CU			
16	11031400	L-F/BRASS 90°CONNECTOR V2 FOR FAUCET EV.			
17	11024039	3WAY EV OT57 (31JN1XRV20-SXT+LBV05024CU)			
18	17001028	BLACK BUSH FOR STEAM TUBE SMR			
19	129823802	TCB SCREW M4X8 UNI 7687 ZNP			
20	11030926	TF/CHROM.STEAM TUBE SMR ASSY.			
21	140324461	OR ORM 0060-20 TERMOIL			
22	17001029	STEAM TUBE SUPPORT SMR			
23	421941300671	BLK/SIL.STEAM TUBE HANDGRIP G0053			
24	12000892	OETIKER CLAMP D=9,5 16700004			
25	JS01.022	SILICONE TUBE 5X10 60SH IN ROLL			
26	16000380	5X8,9 SILICONE TUBE IN ROLL			
27	11001620	BLACK PANNARELLO INNER TUBE P0049			
28	12000450	SCREW TCB TORX 10 3,5X12 PLAST.ZN-N			
29	16000540	TRANSPAR.11X12,8 SILICONE TUBE IN ROLL			
30	17800628	TEMPERATURE SENSOR NTC UL L=550MM			
31	11001621	SS PANNARELLO COVER P0049			
32	17001060	BLACK WATER DRAINAGE CONNECTOR SMR/B-T			
33	11024868	L-F/BRASS CONNECT.FOR ALUM.BOILER			
34	0701.081	SPRING FOR TUBE PRODUCT 1			
35	421941301142	BLK STEAM TUBE INSERT V2 SMR/H			
36	421944023801	BLK CAPPUC.V3 SMR/H ASSY.			
39	NM01.028	O-RING 106 SILICONE			
40	421941301121	BLK CAPPUC.CASING COVER RING SMR/H			
41	421941301131	BLK CAPPUC.CASING SEAL SMR/H			
42	147922350	BLACK CONNECTOR 90° FOR SPHERIC.CAPPUC.			
43	149360400	TRANSPARENT SILICONE TUBE 3,5X6 IN ROLL			
43	9972.045	SILICONE TUBE 3,5X6 L=350 MM DS			
100	421944051651	HP/SLIM TUB.BOILER V2 SMR 1900W 230V AS.			
100	421944024221	SLIM TUB.BOILER SMR 1100W 100V ASSY.			
100	421944010421	SLIM TUB.BOILER SMR 1300W 120V ASSY.			

**NOT FOR 120 VOLT**

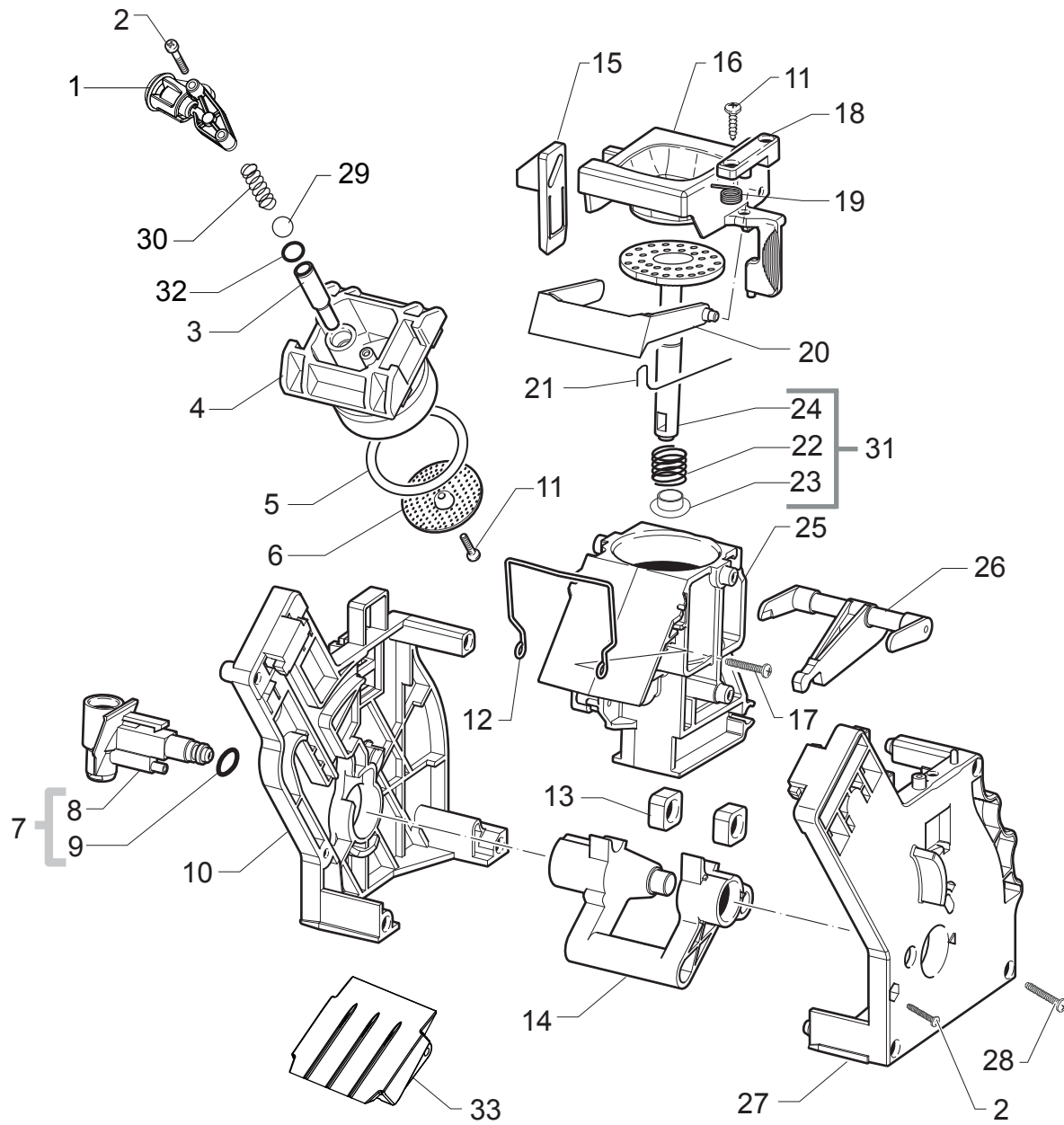


Pos	Article-Nr.	Description	Pos	Article-Nr.	Description
1	11010031	TEA/ZAMA INCREASE SCREW GRINDER			
2	129574802	SCREW TCB TORX 20 M4X30 ZN-B			
3	421944060271	TRANSP/GRY WATER CONTAINER V2 SMRO ASSY			
4	140328960	OR ORM 0530-15 NBR FDA			
5	146520100	BAKED CLAY GRINDER 48X28			
6	11012466	BRASS BUSH BEAN CONT.FINGER PROTEC.P0057			
7	149198350	BLK LOWER COFFEEGRINDER GRINDER SUPPORT			
8	123030300	AXIAL BEARING EKKO 342.35252			
9	140360500	FELT RING 45,4X39,4X4			
10	128310402	GALV.WASHER UNI 8842 A4			
11	11026355	BLK GROUND COFF.OUTLET CONVEYOR V4 ASSY.			
12	421944060561	GRY GROUND COF.CONT.LOWER SEAL V2 SMART1			
13	226000300	GEAR SX Z=38 FOR GRINDER MOTION ASSY.			
14	11000511	MOTOR COFFEEGRINDER V3.1 120V ASSY.			
14	11000512	MOTOR COFFEEGRINDER V3.1 100V ASSY.			
14	11000513	MOTOR COFFEEGRINDER V3.1 230V ASSY.			
15	149214800	MC V3 MOD=1,25 WORM SCREW CENTRING CAP			
16	129661702	SCREW TCB TORX 3,5X30 PLAST.ZN-B			
17	11002873	INSULATOR BUSH FOR GRINDER MOTOR P124			
18	11000597	STEEL COF.GRINDER SUPPORT SPRING P124			
19	17001008	TRANS.BEAN CONTAIN.FINGER PROTECT.SMR UL			
20	128381902	STEEL FLAT WASHER DI=4,3 DE=14 SP=1,5			
21	149199050	BLK SENSOR SUPPORT FOR COF.GRINDER MOTOR			
22	11000194	BLACK COFFEEGRINDER MOTOR SUPPORT P124			
23	181540900	ELECTR.BOARD WITH SENSOR HAL506 SF-K			
24	123030200	RADIAL BEARING 61900.2RS1			
25	128381800	STEEL CRINKLE WASHER 21,8X14X0,25			
26	142905450	BLK UPPER BODY WITH COFFEE GROUND OUTLET			
27	17800687	3POLES CONNECTOR MC SENSOR SMR UL			
28	11002613	LOWER COFFEEGRINDER GEAR SUPPORT P124			
29	11002572	COFFEEGRINDER REGULATION SPRING P124			
30	11003784	COFFEE GRINDING ADJUSTMENT GEAR P0049			
31	U043.004	ZN-B TCB TORX 20 M4X16 ZN-B			
32	11002508	UPPER COFFEEGRINDER GEAR SUPPORT P124			
33	129914002	SCREW TCB TORX 10 3,5X16 PLAST.ZN-B			
34	421946000941	2P.CONN.COF.GRIND.MOTOR FUSE1.0A SMRO UL			
34	421946004841	2P.CONN.COF.GRIND.MOTOR FUSE1.6A SMRO UL			
34	421946010741	2P.CONN.COF.GRIND.MOTOR FUSE 2A SMRO UL			
35	421944025161	YLW BEAN COFFEE GRINDER INSERT SMR			
36	17001921	BLK WIRING FIX INSERT FOR GRINDER BOARD			
37	421941085872	COFFEE GRINDER SEAL P119 GRY 7035			
38	145854360	BLK GROUND COFFEE CONT.UPPER SEAL SMART1			
39	12001622	SCREW TCB TORX B 3,5X9,5 SCHEET NIK			
100	421944054591	GEN.MOTOR COF.GRINDER V2 SMRO 120V ASSY			
100	421944054611	GEN.MOTOR COF.GRINDER V2 SMRO 230V ASSY			
100	421944054641	GEN.MOTOR COF.GRINDER V2 SMRO 100V ASSY			



Pos	Article-Nr.	Description
1	11005060	PIN V2 FOR BOILER P119 ASSY.
2	9011.132	SS SPRING FOR PIN
3	11003820	BLACK CAP V2 FOR PIN BOILER P119
4	11009019	TEA/BRASS PISTON L=20,9 ASSY.
5	140324459	OR ORM 0060-20 SILICONE PTFE/FDA
6	140328059	OR 2015 SILICONE PTFE/FDA
7	11003801	NAT.PIN V2 FOR BOILER P119
8	11005099	NATURAL CURSOR V2 FOR BOILER P119
9	NM01.035	OR ORM 0090-20 SILICONE
10	NM01.057	OR ORM 0050-20 IN SILICONE
11	12001728	SCREW TCBR TORX 10 3,5X12 PLAST.SS
12	17001839	BLK RATIOMOT.MOUNTING PLATE COVER SMR
13	9161.132	MYLAR WASHER FOR RATIOMOTOR
14	20000900	SPARES KIT GEARS FOR RATIOMOTOR V2
15	12001841	MICROSWITCH XC/SM1
16	9161.111	MAGNET FOR FLOAT SUPERAUT.
17	9121.046	BRONZE SINTERED BUSH FOR MOTOR RATIOMOT.
18	148380200	BAKELIZZATE WASHER D=5,5
19	9121.044	ANTIVIBRATION FOR MOTOR
20	11005214	MOTOR FOR RATIOMOTOR P124 ASSY.
21	421944013952	BLK RATIOMOTOR MOUNTING PLATE V4 SMR ASS
22	17001508	BLACK MICRO COMPENSATOR SMR
23	421944006861	STEEL SPRING FOR MICRO COMPENSATOR SMR
24	12001890	MICROSWITCH XG/V3D
25	421944052401	BLK/YLW BREW UNIT 8GR.5BAR SMR
25	421944052461	BLK/YLW BREW UNIT 8GR.8BAR V3 SMR
26	421944008911	BLK BREW UNIT DRAWER COFFEE SMR
27	140329361	OR ORM 0100-25 TERMOIL

Pos	Article-Nr.	Description
-----	-------------	-------------



Pos	Article-Nr.	Description	Pos	Article-Nr.	Description
1	11009362	BLK COF.OUTLET SLEEVE BREW UNIT S0053 AS			
2	12000550	SCREW TCB TORX 10 3X25 PLAST.SS			
3	11009276	BLK COUNTER PISTON TUBE BREW UNIT S0053			
4	11001840	BLACK COUNTER PISTON BREW UNIT 8GR.P124			
5	NM01.044	OR ORM 0320-40 SILICONE PTFE/FDA			
6	9161.268	PERCOLATOR DE=35,8 ELFO			
7	20000440	BLACK WATER INLET SLEEVE BREW UNIT ASSY.			
8	9161.064.050	BLACK WATER INLET SLEEVE BREW UNIT ROYAL			
9	NM02.007	OR 2025 IN TERMOIL			
10	9161.375.050	BLACK BREW UNIT REAR PLATE SMART			
11	12000895	SCREW TSP TORX 10 3X10 PLAST.SS			
12	11001556	SS BREW UNIT SPRING H=49 SMART			
13	9161.094.050	BLACK BREW UNIT DRILLED BLOCK			
14	9161.066.050	BLACK BREW UNIT ELBOW SHAFT M5000			
15	9161.373.050	BLACK BREW UNIT COUPLING PLATE SMART			
16	149261350	BLACK HOPPER DOSER BREW UNIT SMART1			
17	129912521	SCREW TCB TORX 10 3,5X14 PLAST.SS			
18	9161.374.050	BLK BREWUNIT HOPPER BLOCKING PLATE SMART			
19	9161.378	SS HOPPER SPRING FOR BREW UNIT SMART			
20	11004161	BLACK SCRAPER FOR BREW UNIT M5000			
21	9161.046	SS SCRAPER SPRING FOR BREW UNIT			
22	9161.198	SS.8GR.BREW UNIT PISTON SPRING			
23	9161.191	WHITE 8GR.-12GR.BREW UNIT PISTON BUSH			
24	421944025621	BLK BREW UNIT INTEGR.PISTON 8GR.V3 ASSY.			
25	11003075	BLACK COFFEE CONTAINER BREW UNIT P124			
26	11003078	BLACK CONNECTING ROD BREW UNIT 8GR.			
27	11005920	BLACK BREW UNIT FRONT PLATE S/SCR.SMART			
28	12000897	SCREW TCB TORX 10 3,5X20 PLAST.SS			
29	421944034451	BOROSILICATE SPHERE D.5 MM			
30	9161.222	SS.CONICAL SPRING			
30	11012095	SS COFFEE UNIT CONTERPISTON SPRING S0053			
31	421944029791	BLK BREW UNIT 8GR.INT.PISTON GEN.V3 ASSY			
32	140328761	OR ORM 0060-15 TERMOIL			
33	17000737	BLACK BREW UNIT CONVEYOR SLIDE L=56,3			
100	421944036881	BLK BREW UNIT 8GR.8BAR V2 SMR			
100	421944052401	BLK/YLW BREW UNIT 8GR.5BAR SMR			
101	421944052461	BLK/YLW BREW UNIT 8GR.8BAR V3 SMR			