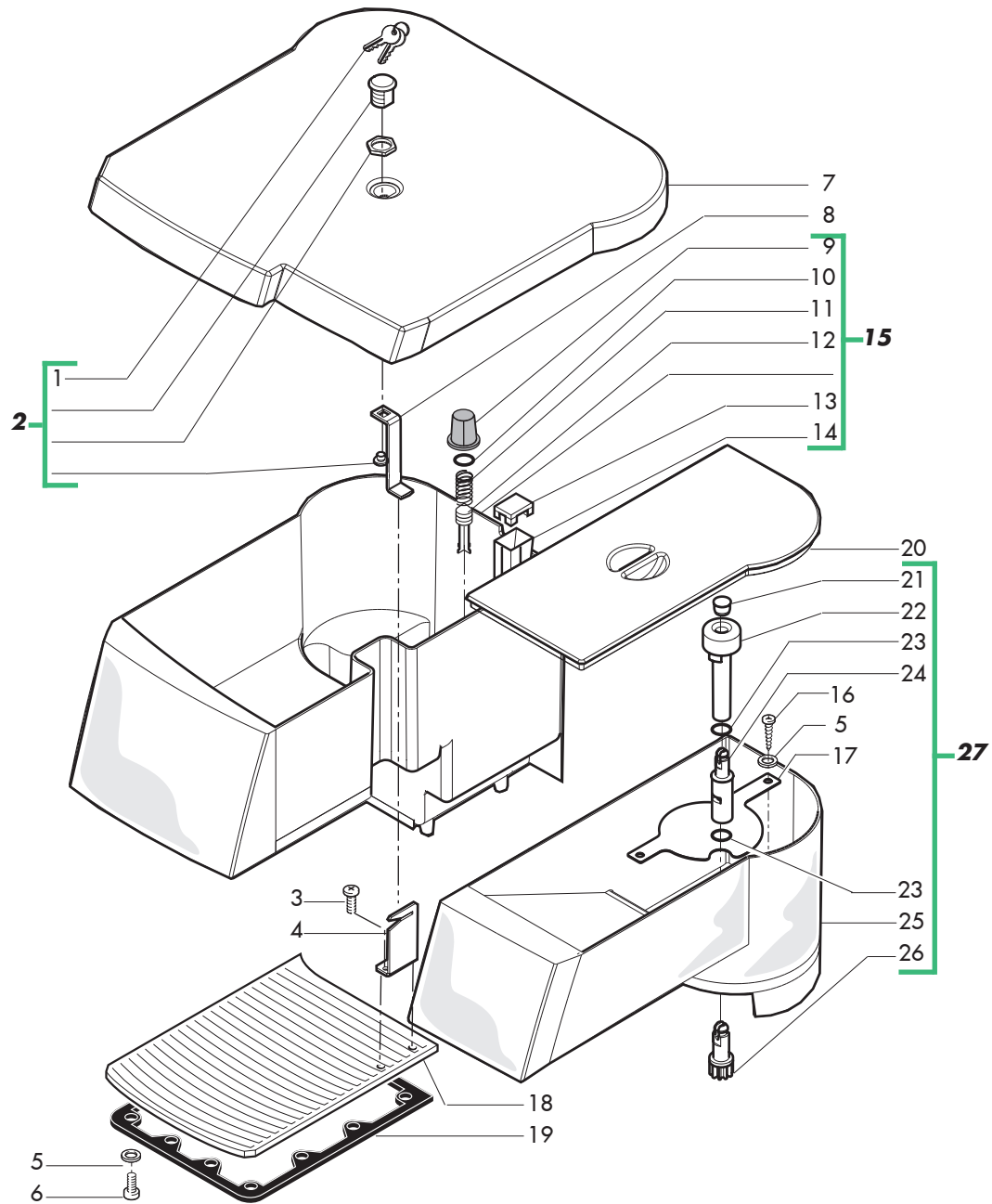


## E19009

## SUP015V, SUP015VR

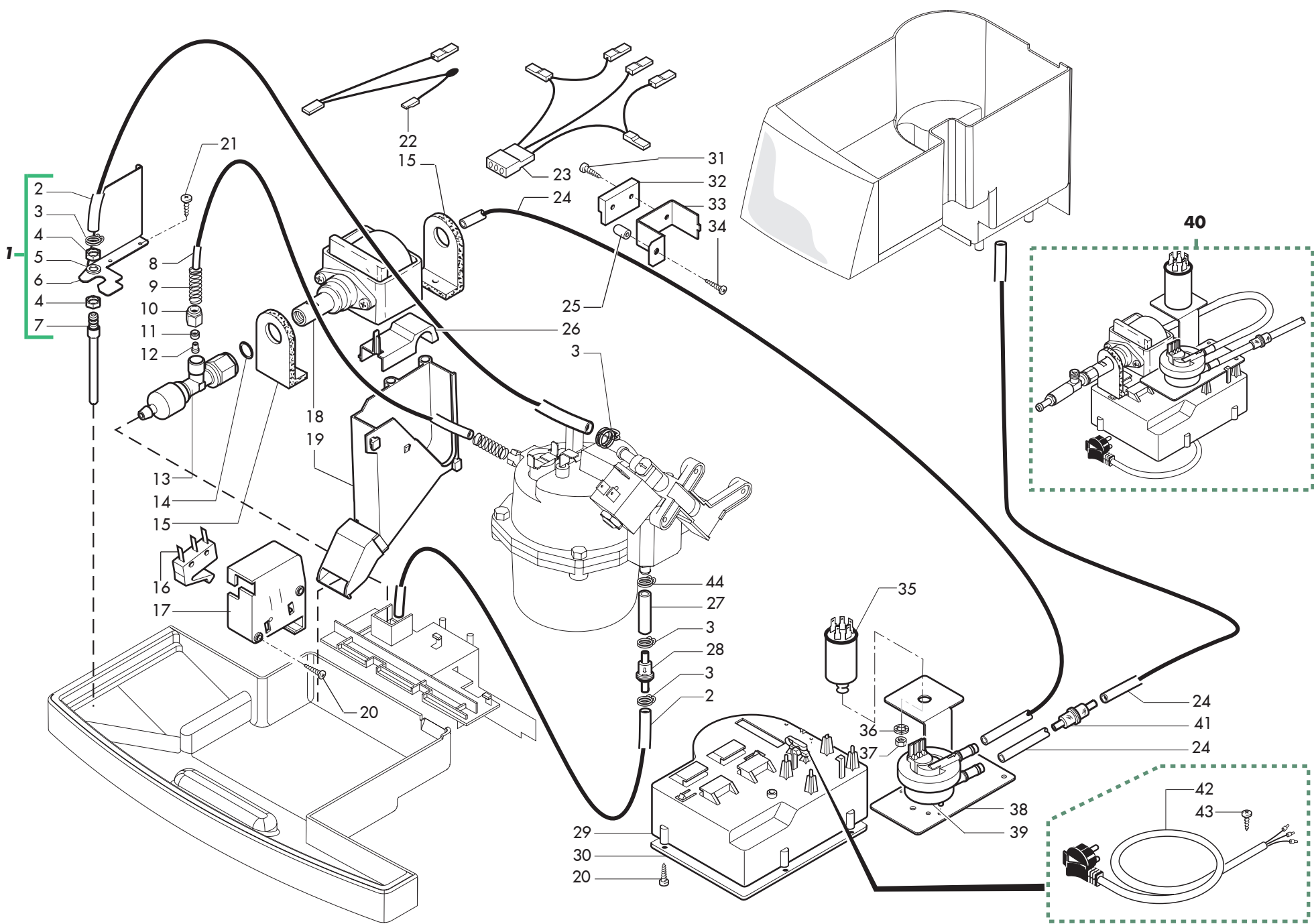
Pos	Article-Nr.	Description	Pos	Article-Nr.	Description
1	9972.100	SILICONE TUBE BROWN 5X8 L.115 MM	41	11003687	BEIGE LID DOSER
2	11003705	CONNECTOR 90° DISPENSER BROWN	41	0312.008.770	DOSER LID
3	11003207	FIX DISPENSER SUPPORT	42	12000641	MOLVENO WATERPROOF GW ASSEMBLY
4	0327.037	SPRING FOR DISPENSER	43	0301.019	SWITCH NIK/BRASS PIN FOR DOOR SUPERAUT.
5	0301.052	SEAL FOR DISPENSER SCREW	44	11003645	MICRO SWITCH CARDBOARD
6	0301.050	SCREW M3 FOR DISPENSER	45	NE17.013	CABLE RETAINER ITW 20-0600-1100
7	11003703	MOBILE DISPENSER ASS. BLACK	46	12000511	MICROSWITCH DOOR SAFETY G3G4T1RC4UL
8	11003702	DISPENSER ASS. BLACK	47	12000390	SCREW AUT.TCB 2,9X25 DIN 7981 C NIK
9	0301.033.150	TANK CASING GREY	48	11003721	SPACER FOR DOOR MICRO
10	129670202	TCB PANELVIT SCREW 3,5X16 TESTA D=8 ZNP	49	U109.040	screw AUT.TCB 3,9X32 DIN 7981 C
11	0312.009.770	DISPENSER LID SILVER	50	11003353	LEVER MICRO
11	11003680	BEIGE DISPENSER LID	51	NV01.008	HOOD FOR DISPEN.COMPARTMENT SPRING
12	11003681	GRATE BEIGE	52	9161.140	SEAL FOR UNIT PLATE
12	0333.005.770	PAINTED GRATE	53	0701.R29	KEY KA 35
13	0333.006.770	DRIP TRAY SILVER	54	NV02.095	DOOR LOCK VIRO
13	11003706	DRIP TRAY BEIGE	55	11008963	ADHESIVE DELTA FOOD SERVICE
14	145500211	RED FLOAT FOR DRIP TRAY SEB GRANCAF.	56	0333.037	LOCK BRACKET
15	U143.015	PANELVIT TCB 3,0X12 TORX BLACK	57	11003669	DOOR ASSEMBLY AMBRA BEIGE
16	11003710	CONNECTOR LID BEIGE	57	11010850	DOOR ASSEMBLY AMBRA DELTA BEIGE
16	0333.026.770	CONNECTOR LID SILVER	57	11008503	ASS.DOOR AMBRA SILVER
17	129511903	SCREW TCB 2,9X6,4 DIN 7981 BZ NICK	57	11023547	DOOR ASSEMBLY AMBRA DELTA SILVER
18	0333.025	CONNECTOR SUPPORT	58	0301.020	NIK/BRASS PIN FOR DOOR SUPERAUT.
19	NE05.018	MICROSWITCH	59	11003209	COFFE GROUP SUPPORT CASE
20	U109.005	screw AUT.TCB 3,5X16 DIN 7981 C	60	11023539	
21	11003686	BEIGE CAP			
21	0333.044.280	CAP			
22	11003683	CASING ROYAL LID SILK-SCREEN BEIGE			
22	11008504	CASING ROYAL LID SILK-SCREEN SILVER			
23	11003685	BEIGE CLOSING CAP			
23	0333.043.280	CLOSURE RUBBER			
24	11003713	CUP ADHESIVE LABEL			
25	11003688	CAP FOR FAUCET HOLE			
26	11003689	BEIGE CAP FOR STEAM TUBE HOLE			
26	0333.021.280	RUBBER FOR STEAM TUBE HOLE			
27	11003668	CASING ASSEMBLY AMBRA BEIGE			
27	11008502	CASING ASSEMBLY AMBRA SILVER			
28	0313.006.050	SWITCH COVER BLACK			
29	11008962	ADHESIVE DELTA FOOD SERVICE BEIGE			
29	11023550	ADHESIVE DELTA FOOD SERVICE SILVER			
30	11003208	COFFEE CONVEY			
31	U109.014	screw AUT.TCB 2,9X16 DIN 7981 C			
32	U110.005	screw AUT.TCB 3,9X9,5 DIN 7981 F			
33	0312.032.770	SILVER DUMP BOX			
33	11003714	BEIGE DUMP BOX			
34	147623150	BLACK SQUARE ADHESIVE FOOT 5023			
35	0701.031.150	GREY WATER VALVE GACO DIM 14 SEAL COVER			
36	145842900	NBR WATER CONT.VALVE GACO DIM14 SEAL			
37	0701.014.150	GREY WATER VALVE GACO DIM 14 SEAL CONT.			
38	129532521	SCREW TSP2,9X9,5 DIN 7982 SS			
39	140320461	OR ORM 0080-20 IN TERMOIL			
40	129512921	SCREW TCB TORX 10 AB 2,9X13 SHEET SS			



**E19009****SUP015V, SUP015VR**

Pos	Article-Nr.	Description
1	0701.R29	KEY KA 35
2	NV02.095	DOOR LOCK VIRO
3	U127.003	screw TAPT.TCB M4,0X6 DIN 7500C
4	0333.016	BRACKET COUPLING SUPPORT
5	U201.005	PLAIN WASHER 4,3X12 DIN 7349 GAL
6	129573402	SCREW TAPT M4X10 DIN 7985 GALV
7	11003712	MAIN LID BEIGE
7	0333.003.770	MAIN LID
8	0333.015	COUPLING BRACKET
9	224640200	WHITE WATER CONTAINER EXT.FILTER ASSY.
10	NM01.032	RED SILICONE OR ORM 0060-30
11	9161.110	PISTON SPRING FOR SUPERAUT.
12	9111.027.150	GREY PISTON FOR WATER CONTAINER MAGIC
13	9161.050.230	NAT/TRANSP.FLOATING SPACE PLUG MAGIC
14	9161.112.150	GREY LEVEL FLOAT
15	11003691	WATER TANK WITHOUT SILK-SCREEN
16	U109.042	screw AUT.TCB 3,9X38
17	11003677	CAP PROTECTION COFFEE CONTAINER
18	0333.051.050	CUP WARMER PLATE OFFICE BLACK
19	0312.014	CUPWARMER SEAL
20	0333.004.050	COFFEE CONT.LID
21	149213059	GREY CAP FOR KNOBS BEAN CONTAINER
22	147717450	BLACK GRIND.ADJUSTM.KNOB N/S/SCR.G100
23	140320461	OR ORM 0080-20 IN TERMOIL
24	11003202	BLACK GRIND.ADJUSTMENT KNOB SUPPORT
25	11003205	COFFEE CONTAINER
26	146001950	BLACK COFFEE DOSE ADJUSTM.GEAR SMART
27	11003701	COFFEE TANK ASSEMBLY

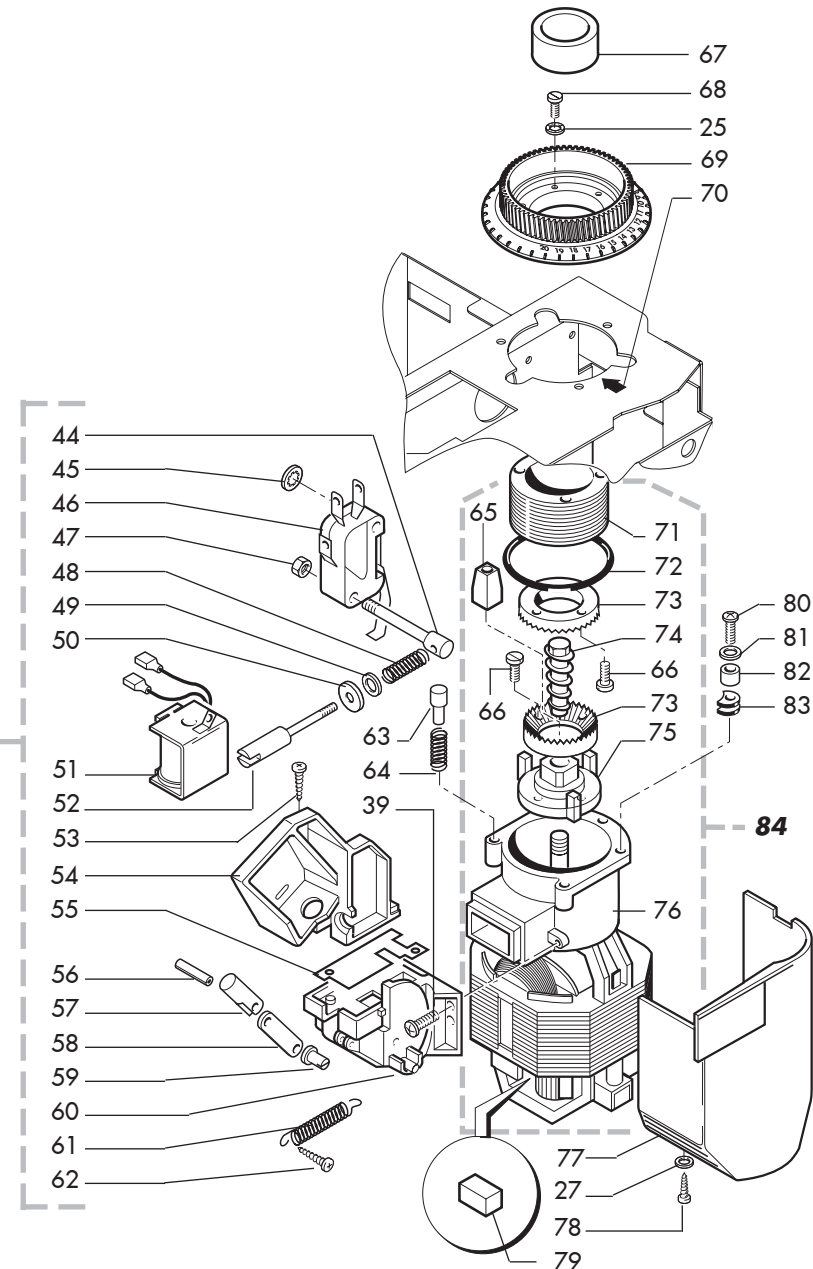
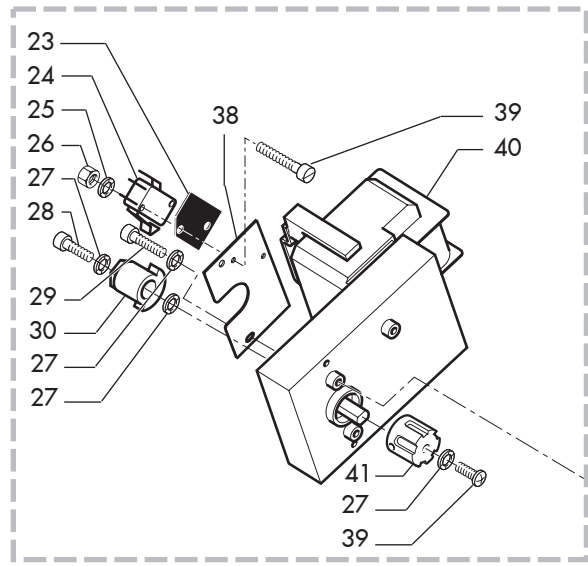
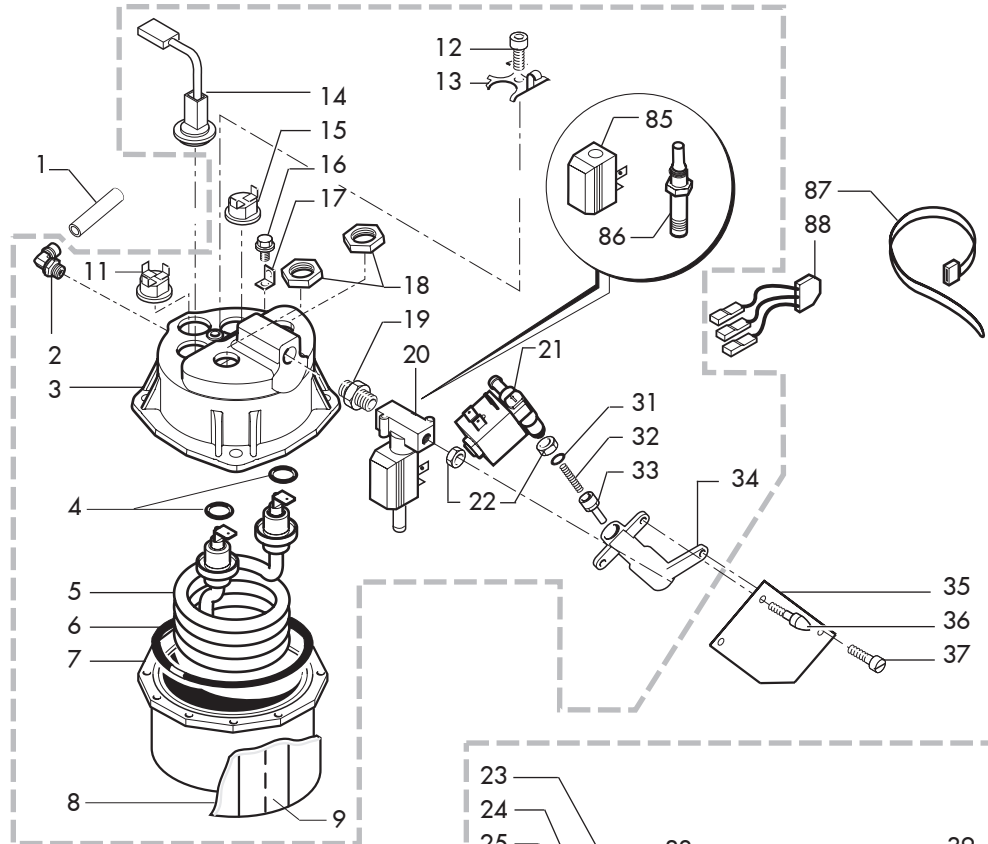
Pos	Article-Nr.	Description
-----	-------------	-------------



**E19009****SUP015V, SUP015VR**

Pos	Article-Nr.	Description
1	11004523	WATER TUBE ASSEMBLY AMBRA
2	9972.022	SILICONE TUBR 5X8 L.2MT
3	184320200	SPRING HOSE CLAMP D=9,5MM
4	123270202	NUT M8 LOW UNI 5589 -A-6S GALVANIZED
5	U207.012	PLAIN WASHER 10.5X18 UNI 6592 GAL
6	0333.024	SHEET METAL PROTECTION
7	11003676	HOT WATER TUBE
8	9971.015	TEFLON TUBE 4X6 L.2 MT
9	11005782	SPRING DI=6,5 L=80 FOR TUBE TEFLON
10	9991.007	NUT FOR CONNECTOR 1/8"
11	9991.008	EXTERNAL BUSH D.6
12	9991.009	INSIDE BUSH D.4
13	11005590	SAFETY VALVE/NON RETURN ASS. NEW
14	140321961	OR 2031 IN TERMOIL
15	149185850	EATON PUMP SUPPORT 4002012 MAGIC
16	NE05.038	MICROSWITCH SAIA XCG5-81-P5
17	11003203	MICROSWITCH DRAWER
18	9070.042.00A	ULKA PUMP EX5 SD1
19	11003694	DRAIN CHANNEL ASS.COFFEE
20	129670202	TCB PANELVIT SCREW 3,5X16 TESTA D=8 ZNP
21	U110.003	screw AUT.TCB 3,5X9,5 DIN 7981 F
22	0368.820	HARNESS WITH KLIXON PUMP
23	11003632	3 POLE CONNECTOR SYSTEM PAYMENT
24	9972.247	SILICONE TUBE 5X10 60SH L=2000 MM
25	NV01.008	HOOD FOR DISPEN.COMPARTMENT SPRING
26	9161.262.060	DRIP CHANNEL COVER
27	11000754	
28	12000097	ONEWAY VALVE PRESBLOCK RVNRP0505/SA
29	0301.056.150	POWER CABLE CONT. VDE GREY
30	0301.055.150	LID FOR POWER CABLE CONT. GREY
31	U110.010	SCREW AUT.TCB 2,9X6,5 DIN 7981 F
32	0368.818	2 POLE CONNECTOR
33	11003354	REED SUPPORT
34	U110.004	screw AUT.TCB 3,5X6,5 DIN 7981 F
35	184651500	LOCKING SCREW ANTIDISTURB FILTER 16A
36	U208.009	TOOTHED WASHER 8,4X15 UNI 3703
37	U302.007	nut HEXAGONAL M8 UNI 5588
38	11003675	PLATE SUPPORT FILTER
39	NV99.099	TURBINE D=1,2 932-8521/00 ASSY.
40	11003720	PUMP ASS. AMBRA 230V SCHUKO
41	144650300	ASPIRATION FILTER GAUZE NET 500 (NEW)
42	NE01.061	BLACK CABLE SCHUKO H05 1 MM
43	U140.009	PANELVIT TCB 3,0X16 DIN 7505 B GAL
44	NV99.036	HOSECLAMP D=8,5 09993.41.00

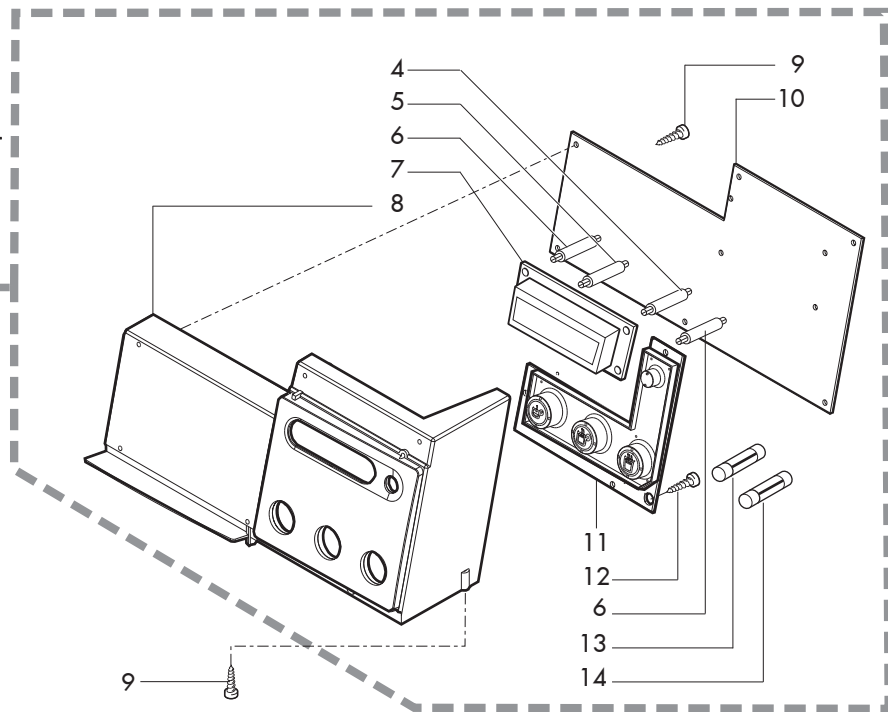
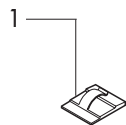
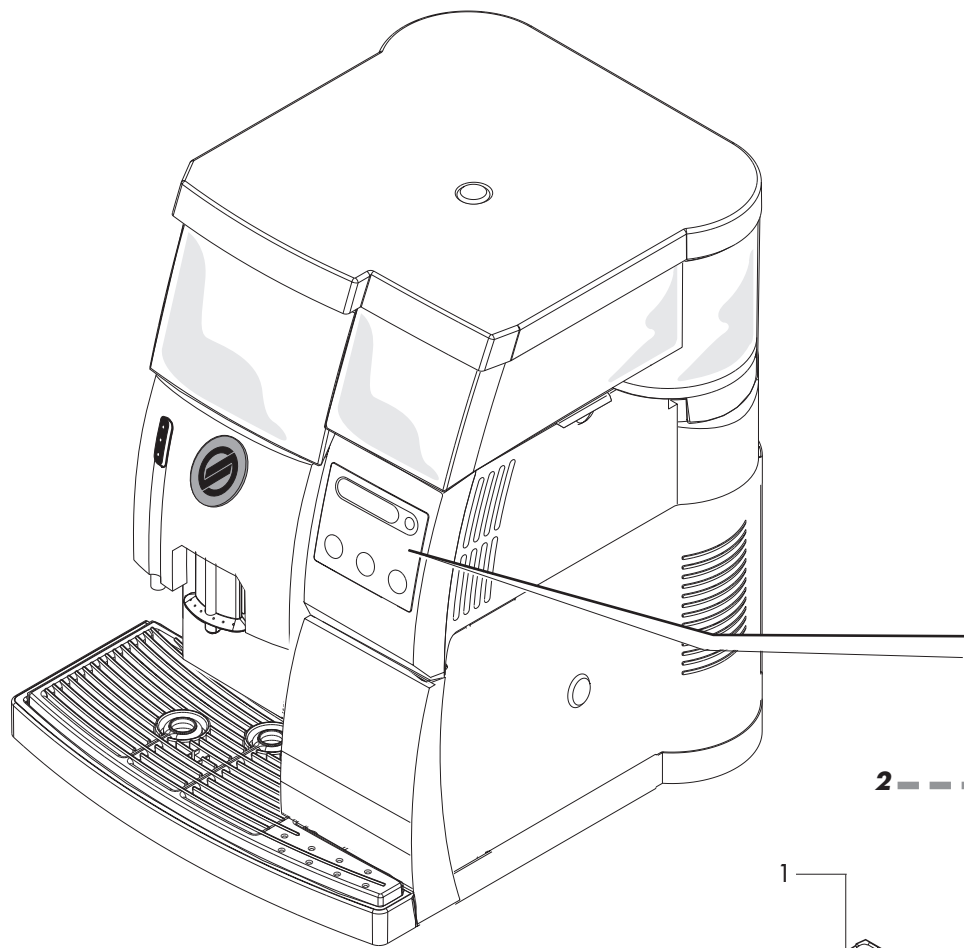
Pos	Article-Nr.	Description
-----	-------------	-------------



## E19009

## SUP015V, SUP015VR

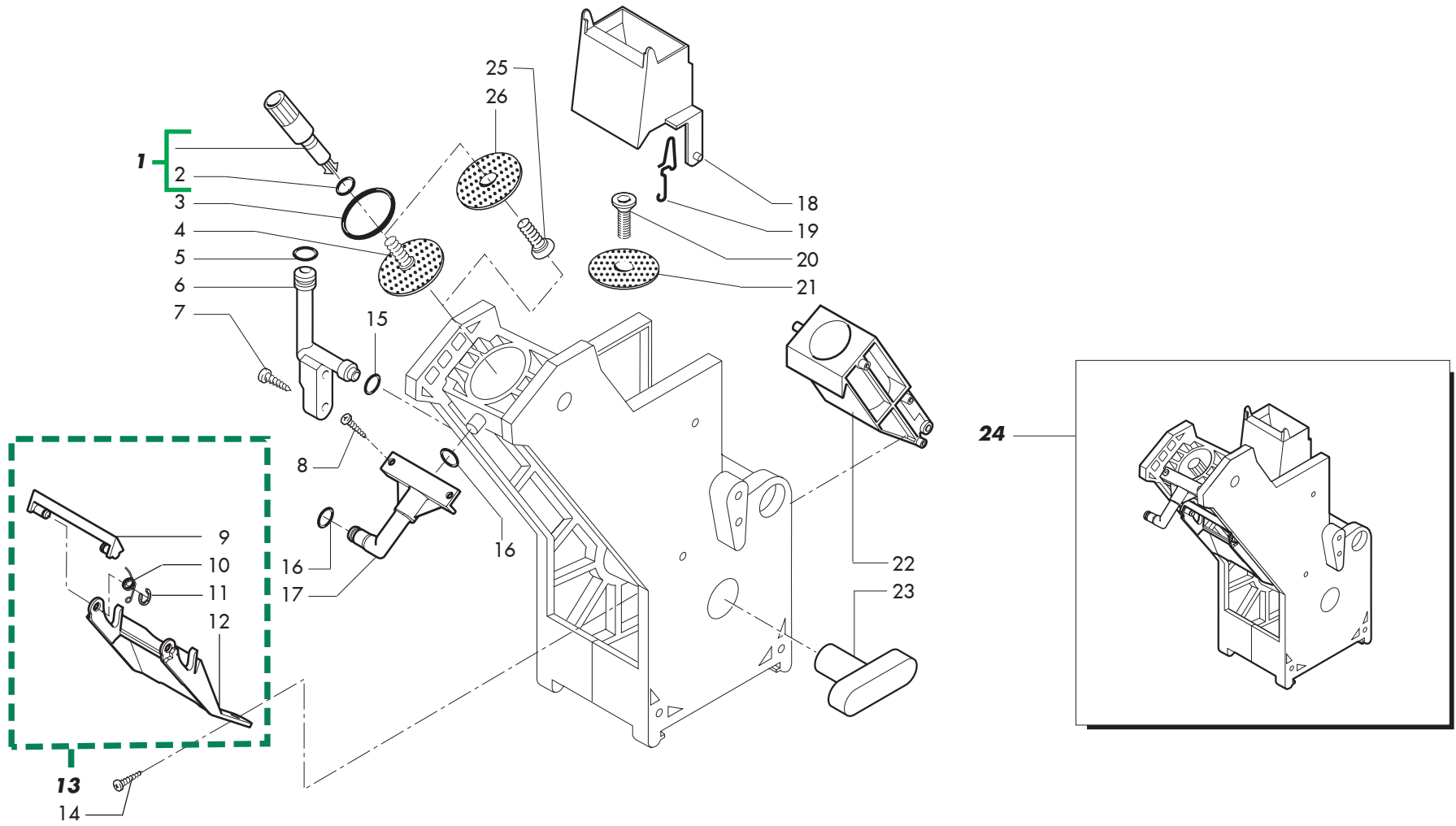
Pos	Article-Nr.	Description	Pos	Article-Nr.	Description
1	9971.015	TEFLON TUBE 4X6 L.2 MT	51	9129.A01.00A	COFFEE DOSER COIL ASS.230V
2	NR10.014	CONNECTOR 1/8" D.6 REVOLVING	52	9161.006	PIN FOR REGULATION MICRO
3	11002259	UPPER DOSER CASING M6 TEA	53	129511903	SCREW TCB 2,9X6,4 DIN 7981 BZ NICK
4	11000972	OR 3050 FKM 80 FD PEROXIDICA	54	9161.001.060	DOSER SUPPORT BROWN
5	9011.255.00A	RES CALD.V230 W1000	55	9161.361	MYLAR GUARD FOR MICROBATCHER
6	NM04.010	OR ORM 0730-40 FPM 70+-5 IRHD BLACK	56	U406.001	ELASTIC PIN 3,0X8 UNI 6873
7	11006075	LOWER BODY BOILER M6	57	9161.011	PISTON FOR MAGNET
8	11004800	AMBRA BOILER ISOLATOR	58	147570100	DOSER DOORPLA. BROWN
9	9991.161	WATER +STEAM BOILER STRAP L=250 MM	59	9161.010.060	PIN BROWN
10	11003695	ASS.BOILER BRASS 230V DOUBLE E.V.AMBRA	60	9161.017.060	DOSER CASING BROWN
11	189428700	THERMOSTAT 175° 1NT-15L-5126	60	9161.218.150	DOSER CASING 9 GR. GREY
12	12001052	SCREW TCEI M4,0X6 DIN 912 ZIN	61	9161.005	SPRING FOR DISPENSER DOOR
13	226830200	RETAIN.SPRING 3 THERM. +THERMAL FUSE	62	U109.006	screw AUT.TCB 2,2X9,5 DIN 7981 C
14	11005389	ASS.SENSOR FOR AMBRA	63	9141.005	KNOB PIN
15	NE09.021	THERMOSTAT 150°NC FASTON 90°	64	126769118	SPRING FOR KNOB STOP PIN (H=19)
16	U023.020	SCREW TCEI M6X20 UNI 5931 ZIN	65	123450208	SQUARE CAP NUT FOR MOTOR
17	NE15.031	MALE TONGUE PLAIN 6,3 D.6,3	66	129761402	TC SCREW M3X8 UNI 6107 ZNP
18	9991.029	NUT FOR RESISTOR	67	11007280	INSULATOR TUBE COFFEE CONTAINER
19	NR07.001	STANDARD NIPPLO MM 1/8 X1/8 BRASS	68	U043.007	screw TCBC M3,0X8 UNI 7687 GALV.
20	11004637	ELECTROVALVE 3 WAY AMBRA 230V	69	1813.103.A20	RING NUT OF GRIND REGULATION
21	9121.036.00A	2 WAY SOLENOID VALVE 230V	70	0701.954	ADHESIVE ARROW
22	9991.035	NUT 1/8 H 4.5	71	9141.008	KNOB ADJUSTMENT SCREW
23	11003645	MICRO SWITCH CARDBOARD	72	140321560	OR 3187 IN NBR
24	NE05.002	MICROSWITCH	73	126520119	GRINDER FOR MOTOR TYPE BATTISTINI
25	U208.002	TOOTHED WASHER 3,3X5,8 UNI 3703 G	73	9141.081	FLAT MILL D.43 TITANIUM
26	U302.002	nut HEXAGONAL M3 UNI 5588	74	11005221	SHORT INCREMENTAL SCREW
27	128310404	WASHER UNI 8842 A4 BURNISHED	75	9141.007	FAN
28	U023.011	screw TCEI M4,0X10 UNI 5931 SS A	76	9140.002.00A	MOTOR ASS.WITH CAP 230V
29	129825502	TCB SCREW M4X25 UNI 7687 ZNP	77	9141.014.060	MOTOR PROTECTION CASING BROWN
30	9991.037	CAM FOR RATIOMOTOR 1 MICRO	78	U109.016	screw AUT.TCB 3,9X13 DIN 7981 C
31	140321462	OR 2018 IN SILICONE	79	0701.R34	MOTOR BRUSH
32	126765317	STEEL SPRING BOILER PISTON MAGIC	80	U043.004	ZN-B TCB SCREW M4X16
33	9019.A01	PIN ASS.	81	U207.002	PLAIN WASHER 4,3X9 UNI 6592 GAL
34	9161.213	BOILER TEFLON SUPPORT	82	9141.003	SPACER FOR RUBBER
35	9111.473	INSULATOR FOR BOILER SUPPORT	83	9991.005	RUBBER FOR COFFEE GRINDER
36	9011.005	PEG FOR BOILER	84	11005320	COFFEGRINDER MOTOR 220/230V AMBRA ASSY.
37	U044.013	screw TSPC M4,0X12 UNI 7688 GALV.	85	20006551	SPARE PART SOLENOID COIL X 11004637
38	9991.015	PLATE FOR MICRO	86	20006550	NUCLEUS OLAB 230V E.V. AMBRA
39	129824002	TCB SCREW M4X10 UNI 7687 ZNP	87	NF11.002	SELF LOCK STRIP W=2.5 L=98
40	11003708	MOTOREDUCER 230V RIGHT CONNECTOR CHAMBE	88	11013369	CONNETTORE RADDRIZZATORE A PONTE DIODI
41	9991.013	JOINT FOR RATIOMOTOR			
42	11003707	RATIOMOTOR ASS. 230V			
43	11005514	COFFEE DOSER ASS.AMBRA 9GR.230V MOD.			
43	11005531	COFFEE DOSER ASS.230V MOD.			
44	9161.007	PIN FOR FIXING MICRO			
45	NF13.006	RING FOR PIN D.3 QUICLOCK ZINC			
46	NE05.058	DOSER MICRO N.V.			
47	U310.001	GALV.SELF LOCK. NUT M3 UNI 7473			
48	126762318	SPRING FOR DOSAGE ADJUST. DOSER			
49	U207.003	PLAIN WASHER 3,2X7 UNI 6592 GALV.			
50	9161.009	SPACE FOR REGULATION PIN			



**E19009****SUP015V, SUP015VR**

Pos	Article-Nr.	Description
1	NE17.002	ADH.CABLE RETAI.ROUND CABLE D=10MM
2	20000640	SPARES ASS.ELECTRONIC AMBRA 230V
2	20006887	SPARES ASS.ELECTRONIC AMBRA 230V
3	0368.808	FLAT CONNECTION CARDS
4	NL04.005	RICHCO SPACER MSPM-5-01 BD
5	NL04.004	RICHCO SPACER MSPM-7-01 BK
6	NL04.006	RICHCO SPACER MSPM-6-01
7	0347.816	DISPLAY FOR ROYAL REDESIGN
8	11008505	ELECTRONICS SUPPORT WITH LENS S/SCREENED
8	11003664	ELECTRONICS SUPPORT WITH LENS S/SCREENED
9	129913902	SCREW TCB TORX 10 3X12 PLAST.ZN-B
10	11003568	CPU+SW AS.SUPEROFFICE 230V
11	11003750	TOUCH PANEL AMBRA
11	11023552	TOUCH PANEL AMBRA BLK
12	129913202	SCREW TCB TORX 10 3X8 PLAST.ZN-B
13	12000680	FUSE 5X20 T400mA DELAYED
14	NE13.044	FUSE 5,0X20 8A 250V DELAYED

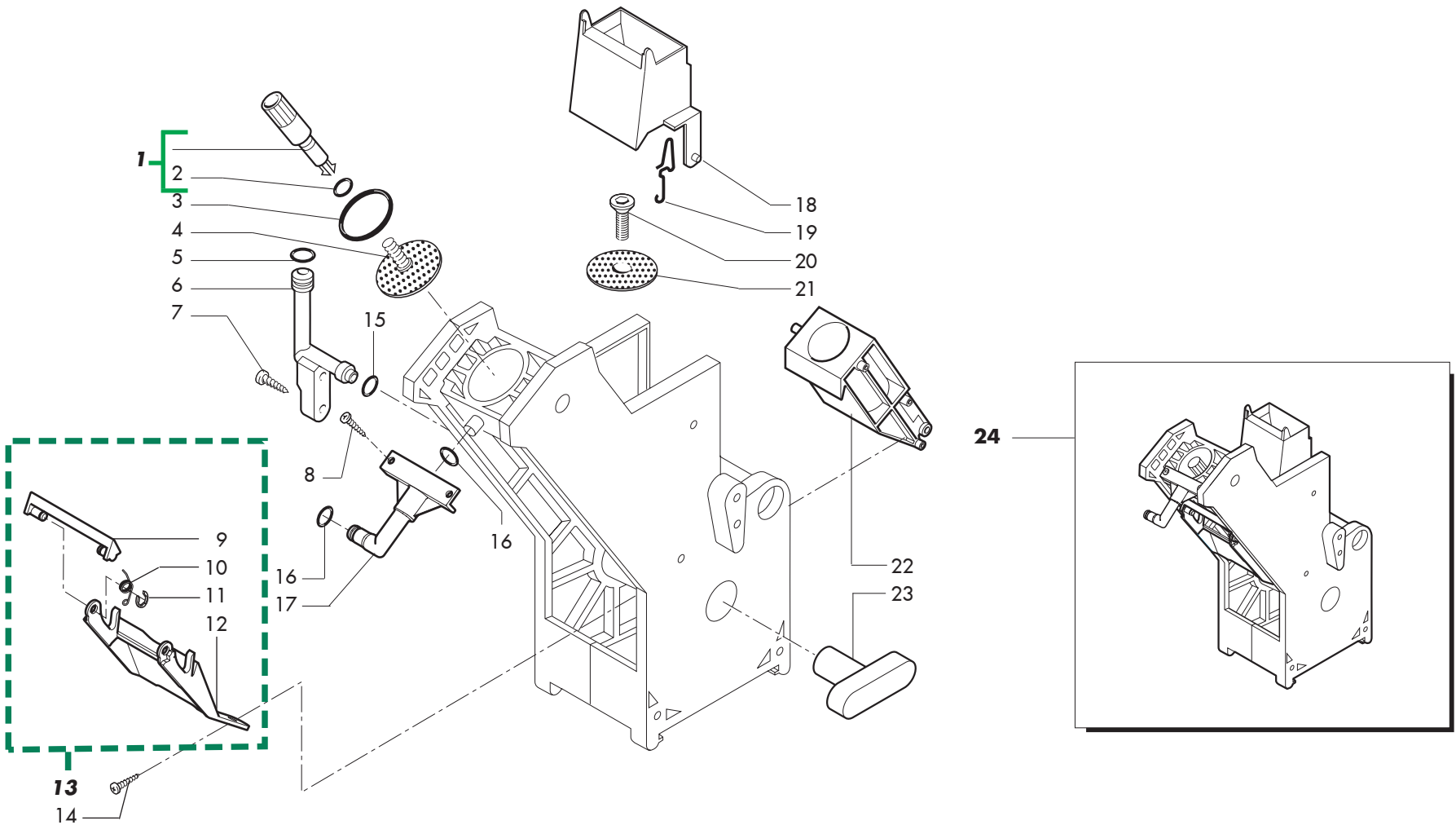
Pos	Article-Nr.	Description
-----	-------------	-------------



**E19009****SUP015V, SUP015VR**

Pos	Article-Nr.	Description
1	9169.A14.060	PIN FOR PERCOLATOR BROWN
2	NM02.006	OR R5 TERMOIL
3	140322061	OR 4112 IN EPDM
4	324000100	SS PERCOLATOR D=34 SCREW FOR UNIT
5	140320461	OR ORM 0080-20 IN TERMOIL
6	322000501	WATERFLOW PISTON BROWN
7	129512921	SCREW TCB TORX 10 AB 2,9X13 SHEET SS
8	U109.014	screw AUT.TCB 2,9X16 DIN 7981 C
9	9111.537.060	BROWN SCRAPER COFFEE GROUP
10	9111.520	SPRING FOR SCRAPER SECTION 0.6
11	U701.006	SNAP RING 3,2 UNI 7434
12	9111.539.060	FORK FOR SCRAPER
13	9110.067.060	SCRAPER ASS.FOR CAPPUCINAT. TUBE
14	U110.013	screw AUT.TCB 3,9X6,5 DIN 7981 F
15	140321462	OR 2018 IN SILICONE
16	NM02.017	OR ORM 0055-15 TERMOIL
17	11003206	COFFEE OUTLET SLEEVE
18	322001201	MOBILE SCRAPER BROWN NARROW
19	9161.425	SPRING FOR SCRAPER
20	129851921	TSP SCREW M3X6 UNI 7688 SS
21	324000200	SS PERCOLATOR D=34 FOR UNIT
22	222711101	BROWN GROUND COFF.CONTAINER D=36 ASSY.
23	9161.021.060	KEY FOR BREW UNIT BROWN
24	11024856	COFFEE GROUP 7GR ASSEMBLY WITH SLEEVE
24	11003693	COFFEE GROUP 7GR ASSEMBLY WITH SLEEVE
25	129852821	TSP SCREW M3X14 UNI 7688 SS
26	11012630	PERCOLATOR D.34

Pos	Article-Nr.	Description
-----	-------------	-------------



**E19009****SUP015V, SUP015VR**

Pos	Article-Nr.	Description
1	9169.A14.150	PIN FOR PERCOLATOR GREY
2	NM02.006	OR R5 TERMOIL
3	NM01.044	OR ORM 0320-40 SILICONE PTFE/FDA
4	9161.036	UPPER PERCOLATOR FOR UNIT
5	140320461	OR ORM 0080-20 IN TERMOIL
6	322000559	WATER FLOW PISTON GREY
7	129512921	SCREW TCB TORX 10 AB 2,9X13 SHEET SS
8	U109.014	screw AUT.TCB 2,9X16 DIN 7981 C
9	9111.537.150	GREY SCRAPER COFFEE GROUP
10	9111.520	SPRING FOR SCRAPER SECTION 0.6
11	U701.006	SNAP RING 3,2 UNI 7434
12	9111.539.150	FORK FOR SCRAPER
13	9110.067.150	SCRAPER ASS.FOR CAPPUCINAT. TUBE
14	U110.013	screw AUT.TCB 3,9X6,5 DIN 7981 F
15	140321462	OR 2018 IN SILICONE
16	NM02.017	OR ORM 0055-15 TERMOIL
17	11003206	COFFEE OUTLET SLEEVE
18	322001259	MOBILE SCRAPER GREY NARROW
19	9161.425	SPRING FOR SCRAPER
20	129851921	TSP SCREW M3X6 UNI 7688 SS
21	9161.037	LOWER PERCOLATOR FOR UNIT
22	11002626	ASS. COFFEE CONTAINER GREY 9 GR.
23	9161.021.060	KEY FOR BREW UNIT BROWN
24	11004638	COFFEE GROUP ASSEMBLY 9 GRAM WITH SLEEVE

Pos	Article-Nr.	Description
-----	-------------	-------------