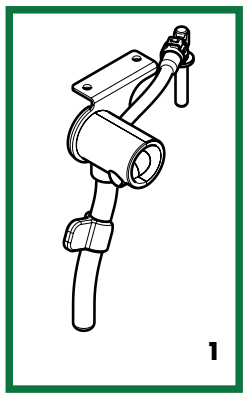
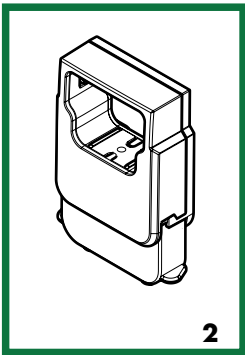


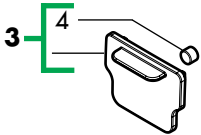
Pos	Article-Nr.	Description	Pos	Article-Nr.	Description
1	11035722	EXTRA SHEET SAGA FOR SAECO	31	11029564	LIGHT/GREY STEEL CASING DOOR RYL UL ASSY
1	15003172		32	13001330	INS.SX SCATOLA RYL PS-E
1	15003897		33	13001319	PS-E RIGHT INSERT FOR BOX RYL
1	15004727	HARMONIZATION EXTRA SHEET FOCUS	34	13001640	WHITE BOX RYL/T SAE ROYAL ONE TOUCH CEE
1	421940439951	MANUAL SAE SUP040 RYLO/P IT	35	421946001171	WHT EXTERNAL BOX RYLO/P SAE 27L.
1	421940439961	MANUAL SAE SUP040 RYLO/P GB	36	11027680	7021/GREY DOOR COVER S/SCR.RYL
1	421940439971	MANUAL SAE SUP040 RYLO/P DE	37	11029563	LIGHT/GREY STEEL CASING DOOR RYL UL
1	421940439981	MANUAL SAE SUP040 RYLO/P FR	37	11025758	LIGHT/GREY STEEL CASING DOOR RYL
1	421940439991	MANUAL SAE SUP040 RYLO/P ES	38	U433.001	NAIL 2X6 UNI 7591 BURN.
1	421944015731	MANUAL SAE SUP040 RYLO/P KOR	39	0301.039.150	7015/GREY DOOR CLOSURE KNOB
1	421944050682	REGISTRATION CARD 2017 USA	40	0301.040.150	GREY DOOR CLOSURE LEVER
1	421946001381	WARNING SHEET USA GB/F			
1	421946032091	MANUAL SAE RI9848 RYL/T GB			
1	421946032101	MANUAL SAE RI9848 RYL/T FR			
1	421946032111	MANUAL SAE RI9848 RYL/T ES			
2	421944033301	BLK ABS COFFEE MEASURE SMART			
3	17800024	BLACK POWER CABLE JAPPON VCTF L=1200MM			
3	183911050	BLACK POWER CABLE SCHUKO L=1200			
3	183921950	POWER CABLE SJT3 USA BLACK UL L=1200			
3	183940650	BLACK POWER CABLE AUSTRALIA L=1200			
3	NE01.093	CABLE ARGENTINA + PLUG EN60320 C13			
3	11001985	BLACK POWER CABLE KOREA L=1200			
4	0301.961	STICKER FOR WATER HARDNESS TEST			
5	421946017941	KLUBERLUB NH1 11-222 TUBE 5GR.			
6	127390100	BRUSH FOR CLEANING			
7	17000982	BLACK DRIP TRAY COVER RYL			
8	17000183	BA/SS DRIP TRAY GRATE RYL/T			
9	17000991	RED FLOAT V2 FOR DRIP TRAY RYL			
10	11025728	GLOSS/SPEC.FRONT CASING COVER RYL/T			
11	129535721	SCREW TSP TORX 10 AB 3,5X9,5 SHEET SS			
12	11025722	LIGHT/GREY STEEL CASING RYL/T ASSY.			
13	12000450	SCREW TCBR TORX 10 3,5X12 PLAST.ZN-N			
14	11025729	GLOSS/SPEC.DUMP BOX RYL ASSY.			
15	9991.093	MAGNET D=9,5 X H=1,5			
16	9161.111	MAGNET FOR FLOAT SUPERAUT.			
17	11025730	GLOSS/SPEC.DRIP TRAY RYL ASSY.			
18	12001622	SCREW TCB TORX B 3,5X9,5 SCHEET NIK			
19	17002048	GREY CASING LEFT CLOSING INSERT RYLO/T			
20	17001369	GREY CASING RIGHT CLOSING INSERT V2 RYL			
20	17000426	GREY CASING RIGHT CLOSING INSERT RYL			
21	12000895	SCREW TSP TORX 10 3X10 PLAST.SS			
22	17000723	GREY DUMP BOX GUIDE RYL			
23	11021769	BLACK RIGID FOOT FIXING PIN MYB9			
24	11021829	BLACK/TRANSP.RIGID FOOT MYB9			
25	17000240	GREY MOUNTING PLATE INSERT RYL			
26	17800442	2POLES CONNECT.SENSOR REED DUMP BOX CST			
27	0301.019	NIK/BRASS PIN FOR DOOR SUPERAUT.			
28	0301.020	NIK/BRASS PIN FOR DOOR SUPERAUT.			
29	0301.041.150	GREY BREW UNIT SUPPORT PLATE ROYAL			
30	9161.140	SEAL FOR UNIT PLATE			
31	11025727	LIGHT/GREY STEEL CASING DOOR RYL ASSY.			



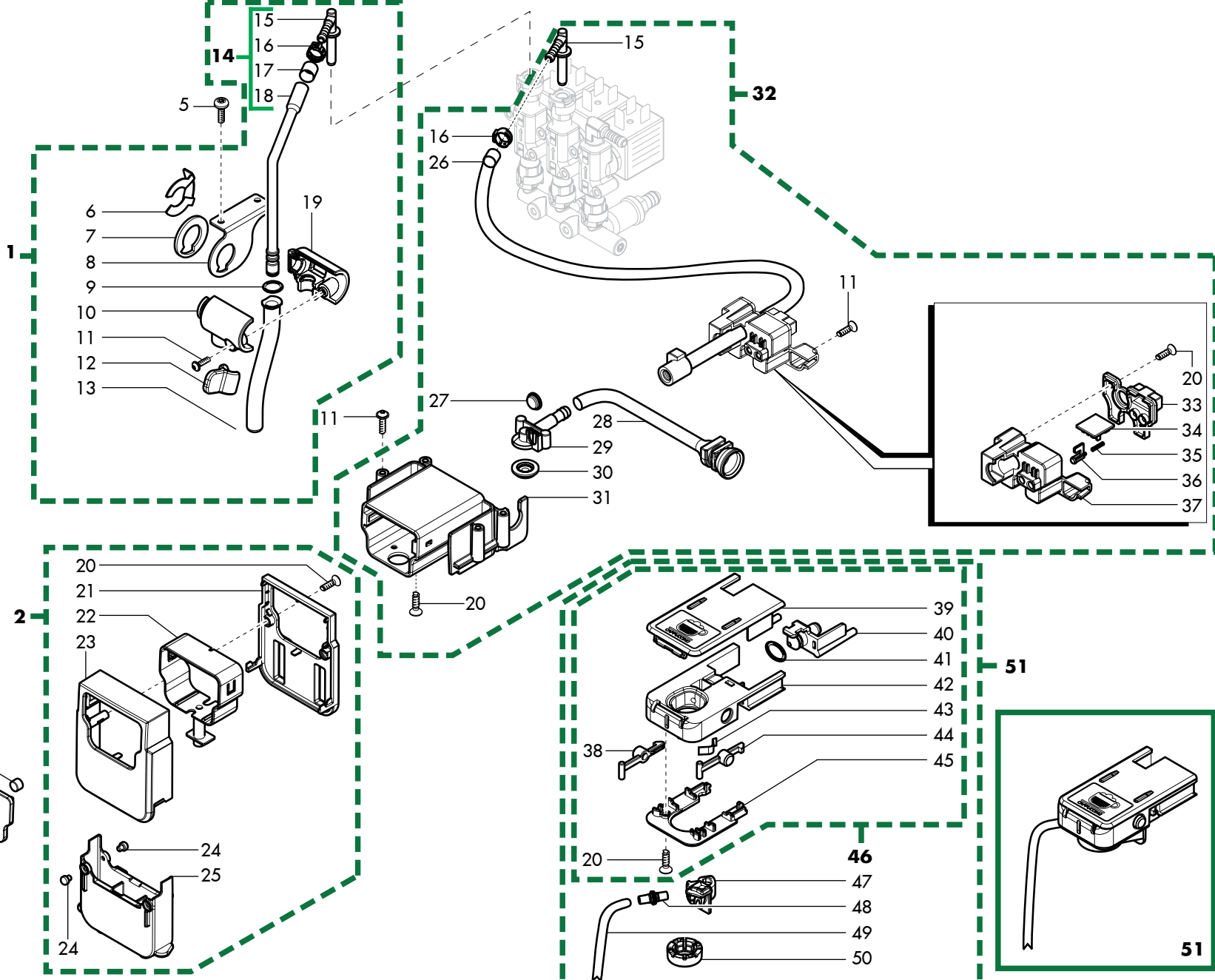
1



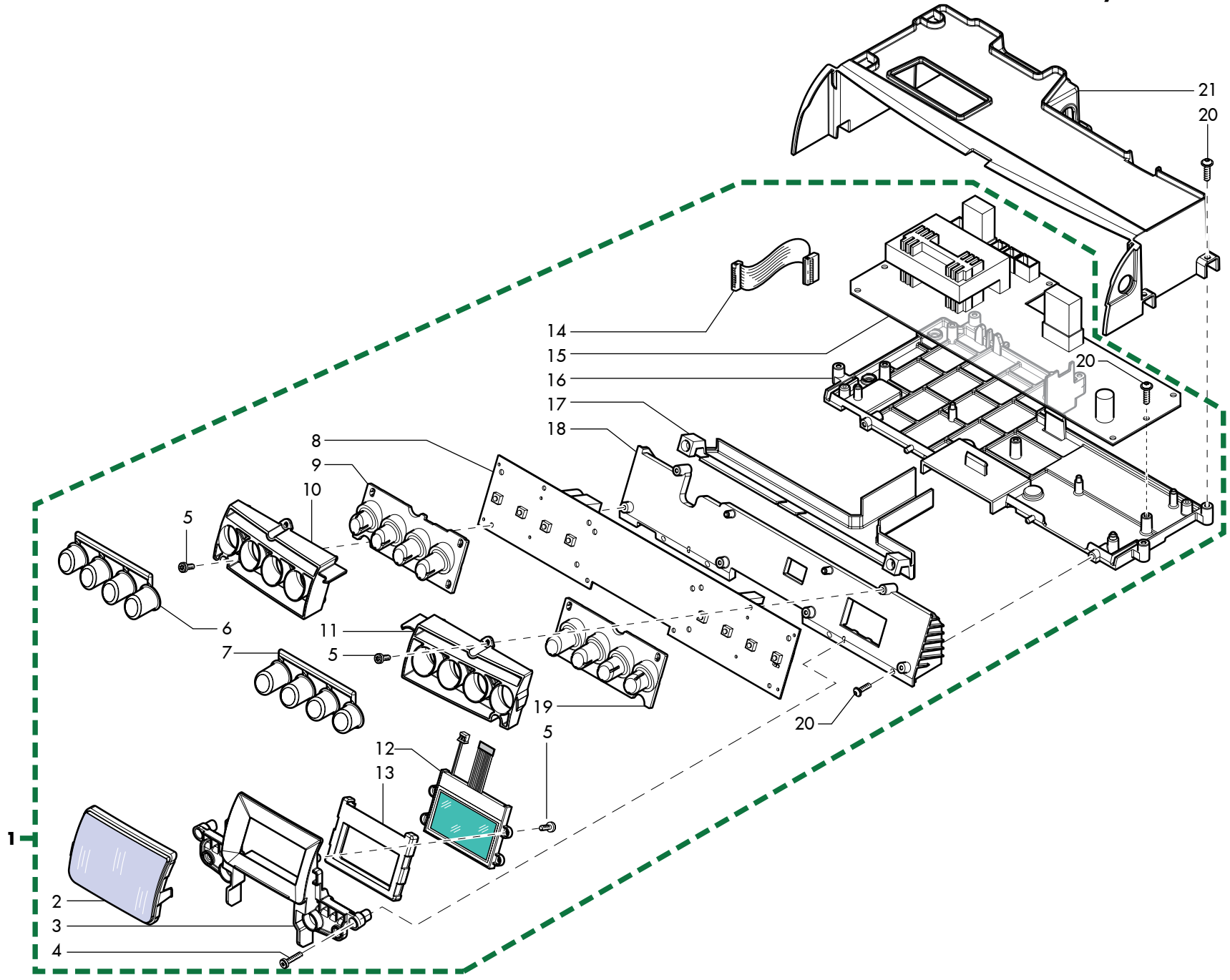
2



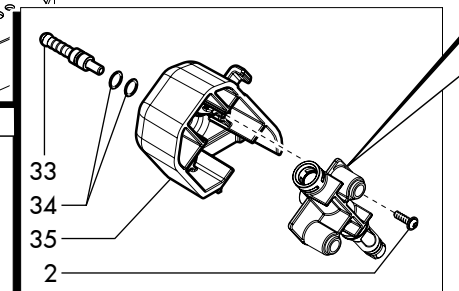
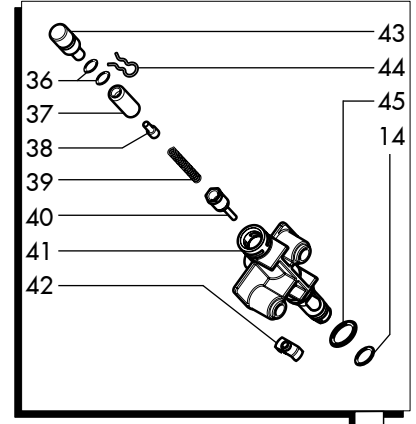
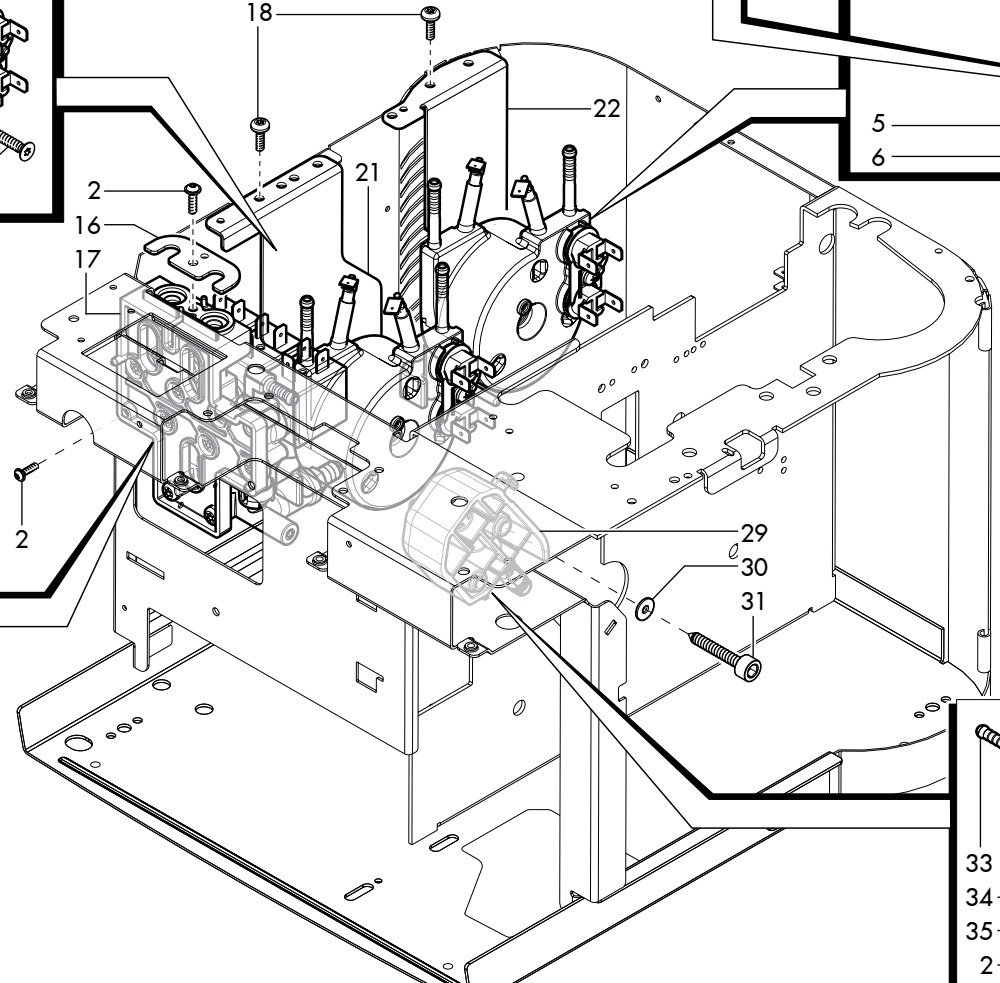
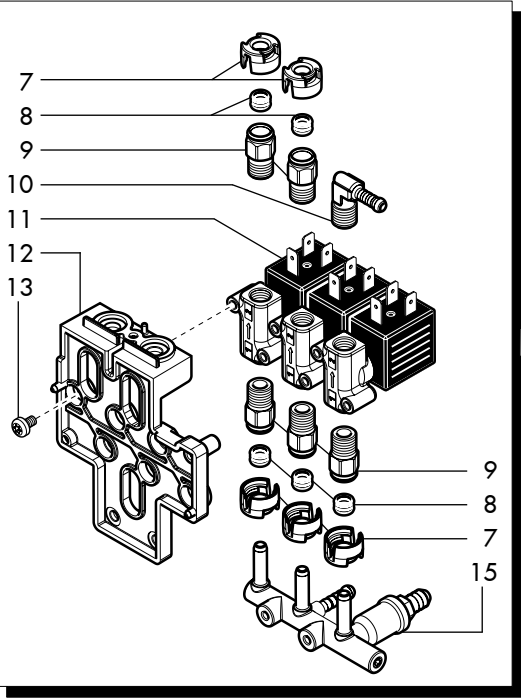
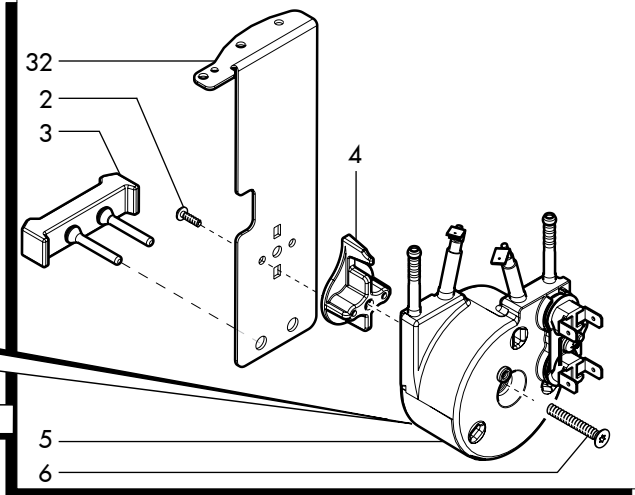
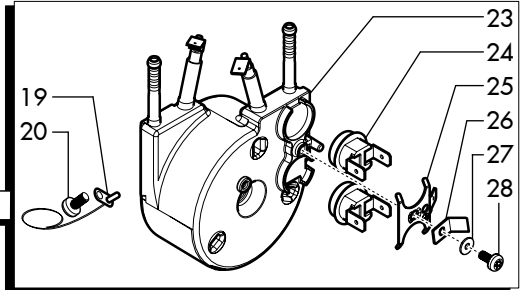
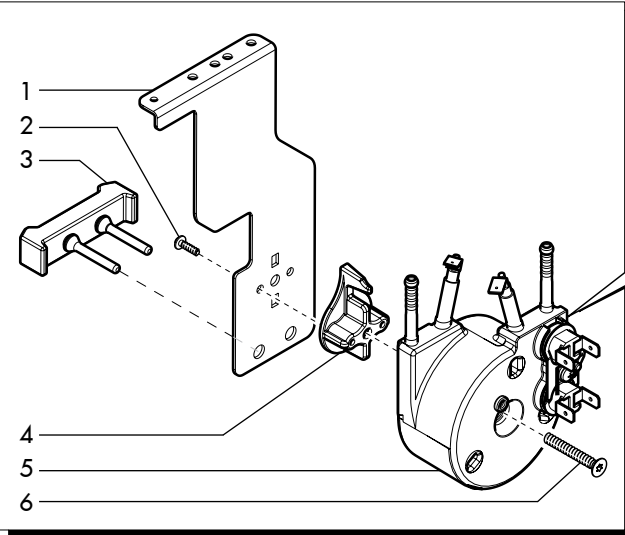
3



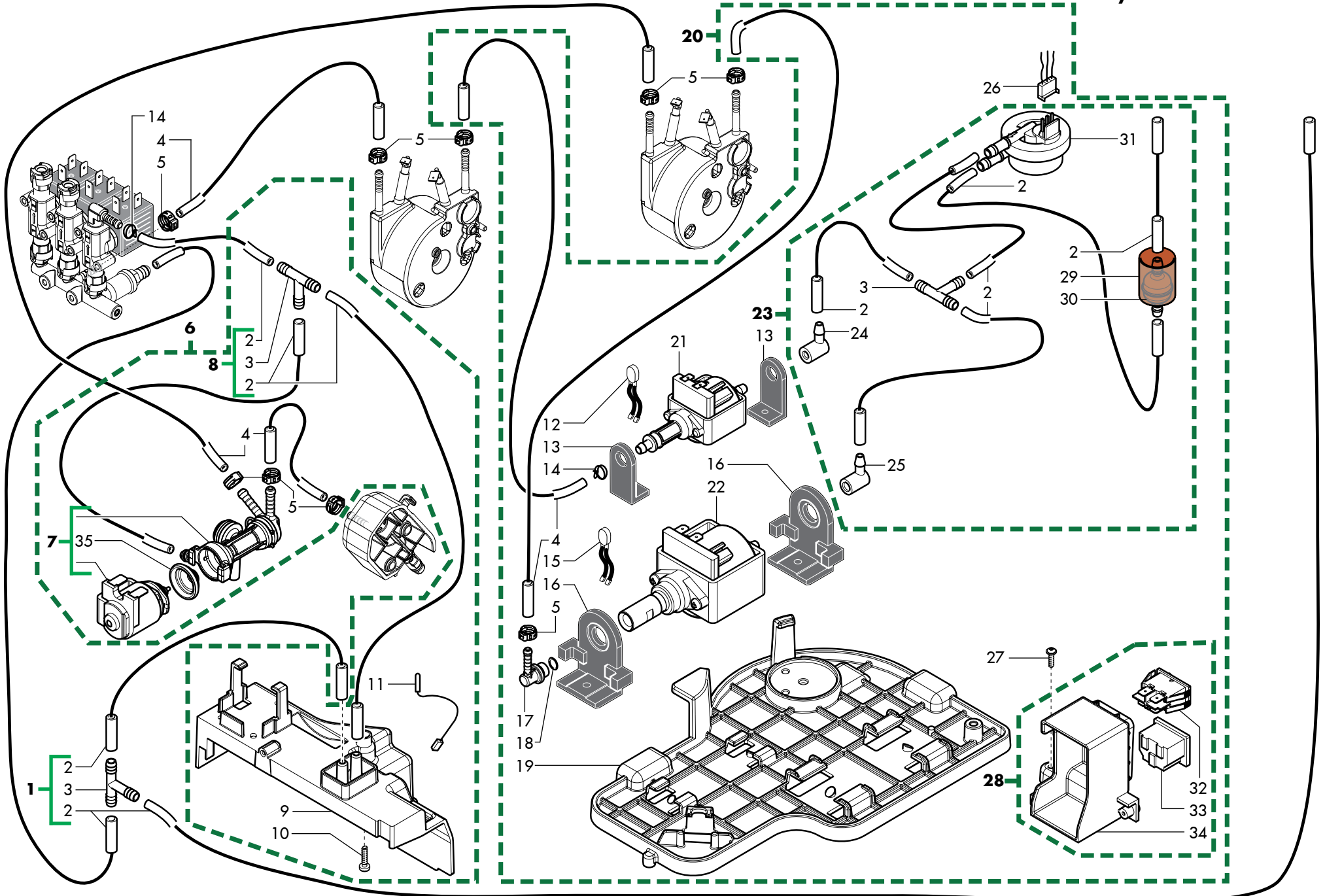
Pos	Article-Nr.	Description	Pos	Article-Nr.	Description
1	11031416	TF/CHROM.STEAM TUBE V3 RYL/T ASSY.			
2	11025731	GLOSS/SPEC.COFFEE DISPENSER RYL ASSY.			
3	11025753	GLOSS/SPEC.FRON.COF.DISP.COVER RYL/T ASS			
4	9161.111	MAGNET FOR FLOAT SUPERAUT.			
5	12001622	SCREW TCB TORX B 3,5X9,5 SCHEET NIK			
6	NF11.084	PHOSPH/STEEL FOLK SPRING			
7	11001624	BLACK STEAM TUBE WASHER P0049			
8	17000815	STEEL STEAM TUBE SUPPORT BRACKET RYL			
9	140321961	O-RING 2031 TERMOIL			
10	17001437	BLACK FRONT STEAM TUBE SUPPORT RYL			
11	12000450	SCREW TCB TORX 10 3,5X12 PLAST.ZN-N			
12	17001574	BLACK STEAM TUBE HANDGRIP RYLO			
13	11025760	TF/CHROM.STEAM TUBE RYL			
14	20007030	BLACK OUTPUT STEAM TUBE KIT RYL			
15	17002197	BLACK CAPPUCIN/STEAM TUBE CONNECT.V4 RYL			
16	12000892	OETIKER CLAMP D=9,5 16700004			
17	11025683	BLACK TUBE DI=9,5 SP=0,30 L=10			
18	11022989	BLACK SILIC.STEAM DISPENSER TUBE MDS			
19	17000672	BLACK REAR STEAM TUBE SUPPORT RYL			
20	12000895	SCREW TSP TORX 10 3X10 PLAST.SS			
21	17000248	BLACK REAR COVER COFFEE DISPENSER RYL			
22	17000251	BLACK INNER BODY COFFEE DISPENS.RYL			
23	11025756	GLOSS/SPEC.FRONT COF.DISPENSER COVER RYL			
24	11013085	WHITE COFFEE DISPENSER SLIDER MYB9			
25	17000246	BLACK EXT.MOBILE PART COF.DISPENSER RYL			
26	20007031	BLK CAPPUC.OUTPUT STEAM CONNECT.KIT RYL			
27	11014016	SS.INSERT FOR MAGNET MYB9			
28	17000614	BLACK DISPENSER COFF.INLET CONNECT.RYL			
29	17000616	BLACK COFFEE DISPENSER TUBE RYL			
30	17000337	BLACK SEAL FOR COFFEE DISPENSER RYL			
31	17000257	BLACK.COFFEE DISPENSER SUPPORT RYL			
32	11031417	BLK TEA/BR.COF.DISPENS.SUPP.V3 RYL/T ASS			
33	17000348	BLK CAPPUCCINATORE BOARD SUPP.COVER RYL			
34	11025772	CAPPUCCINATORE BOARD RYL			
35	17000019	SS CARAFE MICRO INSERT SPRING MYB9			
36	17000421	BLACK CAPPUCCINATORE PRESENCE INSERT RYL			
37	17000339	BLACK CAPPUCCINATORE BOARD SUPPORT RYL			
38	17000389	GREY LEFT CAPPUCCINATORE INSERT RYL			
39	17004098	BLK UPPER CAPPUC.LID LASER.RYL			
40	17000785	BLACK CAPPUC.INPUT MILK CONNECTOR RYL			
41	NM01.028	O-RING 106 SILICONE			
42	17000338	BLACK LEFT ENTRY CAPPUCCINAT.CASING RYL			
43	17000382	SS CAPPUCCINATORE INSERT SPRING RYL			
44	17000402	GREY RIGHT CAPPUCCINATORE INSERT RYL			
45	421941278272	BLK LOWER CAPPUCCINATORE LID V2 RYL			
46	421941260042	BLK CAPPUCCINATORE S/SCR.V2 RYLO ASSY			
47	17000336	MILK INTAKE TUBE CONNECTOR RYL			
48	17001362	BLK MILK INTAKE TUBE CONNECT.INS.V2 RYL			
49	229363500	SILICONE TUBE 3,5X6 L=400 MM			
50	17000486	BLK CAPPUCIN.OUTPUT MILK CONNECTOR RYL			
51	11025751	BLACK CAPPUCCINATORE S/SCR.RYL ASSY.			



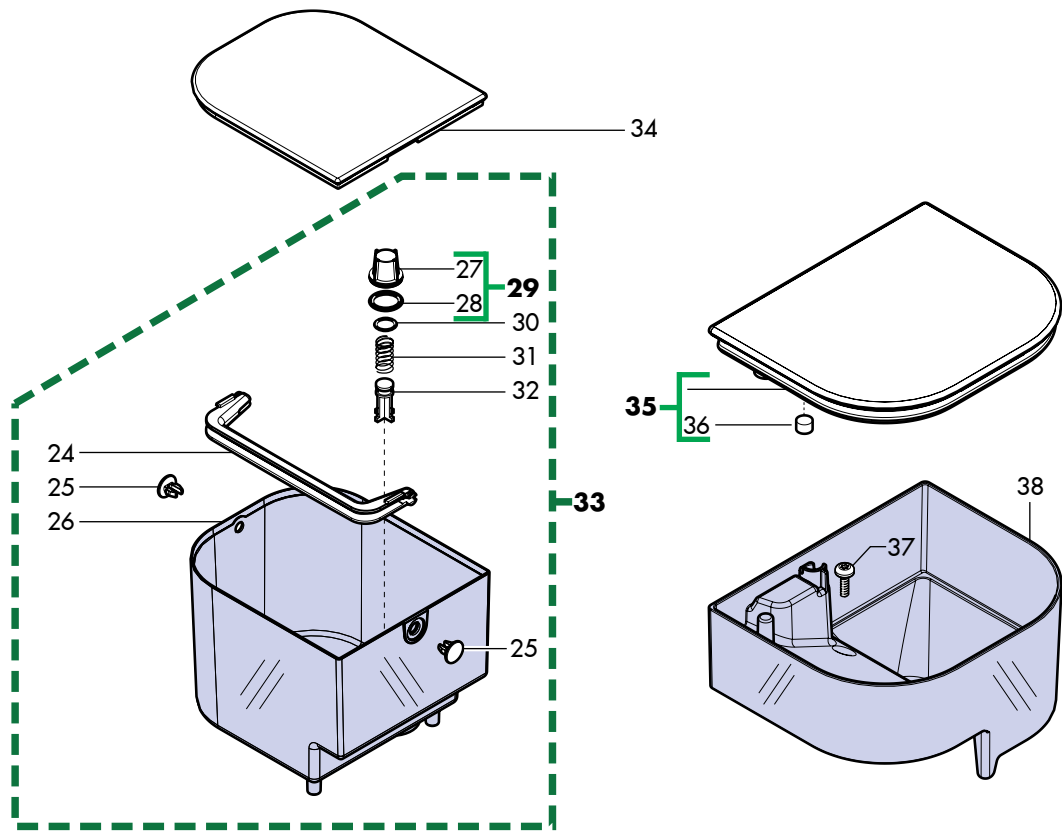
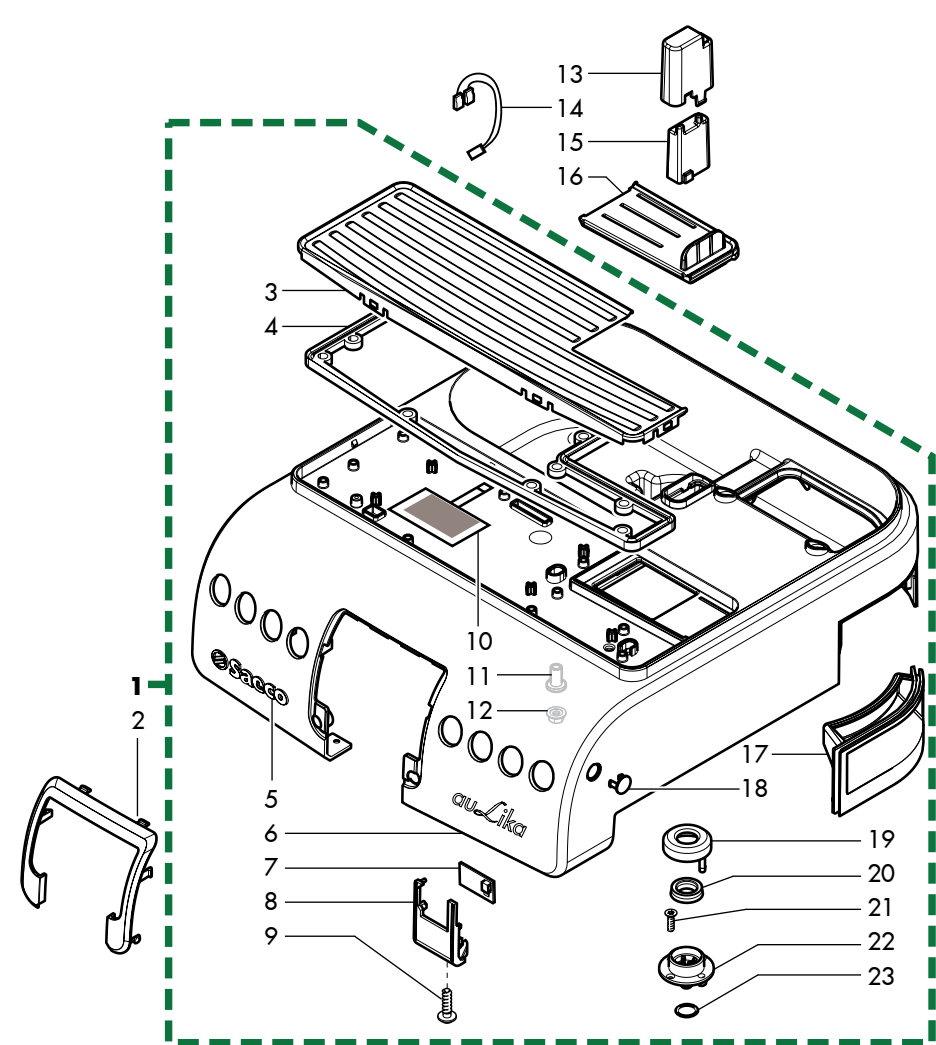
Pos	Article-Nr.	Description	Pos	Article-Nr.	Description
1	11028828	ELECTR.PARTS 120V UL RYL/T ASSY.			
1	421941304781				
1	421946018151				
1	421946021601				
2	17000269	TRANSP.GLASS FOR DISPLAY RYL			
3	17000259	BLACK DISPLAY INSERT RYL			
4	129914002	SCREW TCB TORX 10 3,5X16 PLAST.ZN-B			
5	129913202	SCREW TCB TORX 10 3X8 PLAST.ZN-B			
6	17001837	BLK LEFT TOUCH PANEL COVER V2 S/S.RYL/T			
7	17001310	BLK RIGHT TOUCH PANEL COVER V2 S/S.RYL/T			
8	421941307841	CPU+SW AS. AULIKA FOCUS V2 100V			
8	421941302571	CPU+SW RYLO/P ASSY. 230V			
8	11024659	CPU+SW RYL ASSY.			
9	17000434	TRANSP.LEFT TOUCH PANEL RYL			
10	17000488	BLACK LEFT TOUCH PANEL SUPPORT RYL			
11	17000244	BLACK RIGHT TOUCH PANEL SUPPORT RYL			
12	12001606	AMBER DISPLAY 160x80 0355DP RYL			
13	17000271	BLACK DISPLAY SEAL RYL			
14	421946000581	14P.FLAT CABLE CPU-PWR V2 RYL			
15	421941302411	PWR BOARD RYLO 120V			
15	11030311	PWR BOARD RYLO 230V			
15	11027086	PWR BOARD RYL/RYLO 120V			
16	11028842	BLACK PWR BOARD SUPPORT RYL UL			
16	17000275	BLACK PWR BOARD SUPPORT RYL			
17	11028843	POWER BOARD PROTECTION RYL UL			
17	17001152	POWER BOARD PROTECTION RYL			
18	421941277592	BLK CPU BOARD SUPPORT V2 RYL			
19	17000430	TRANSP.RIGHT TOUCH PANEL RYL			
20	12000450	SCREW TCB TORX 10 3,5X12 PLAST.ZN-N			
21	17000277	BLACK CPU-PWR BOARDS COVER RYL			



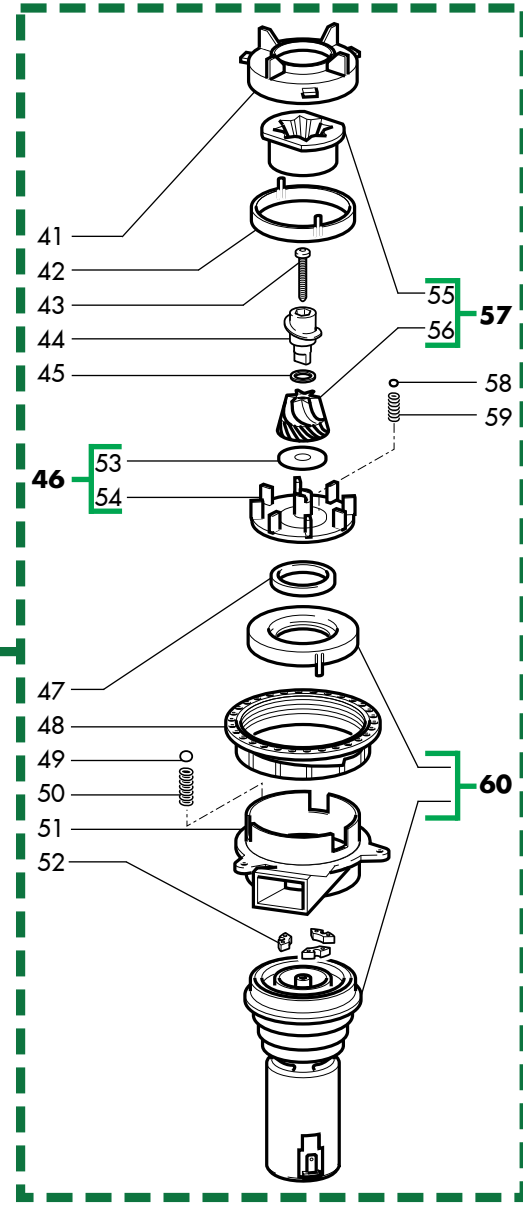
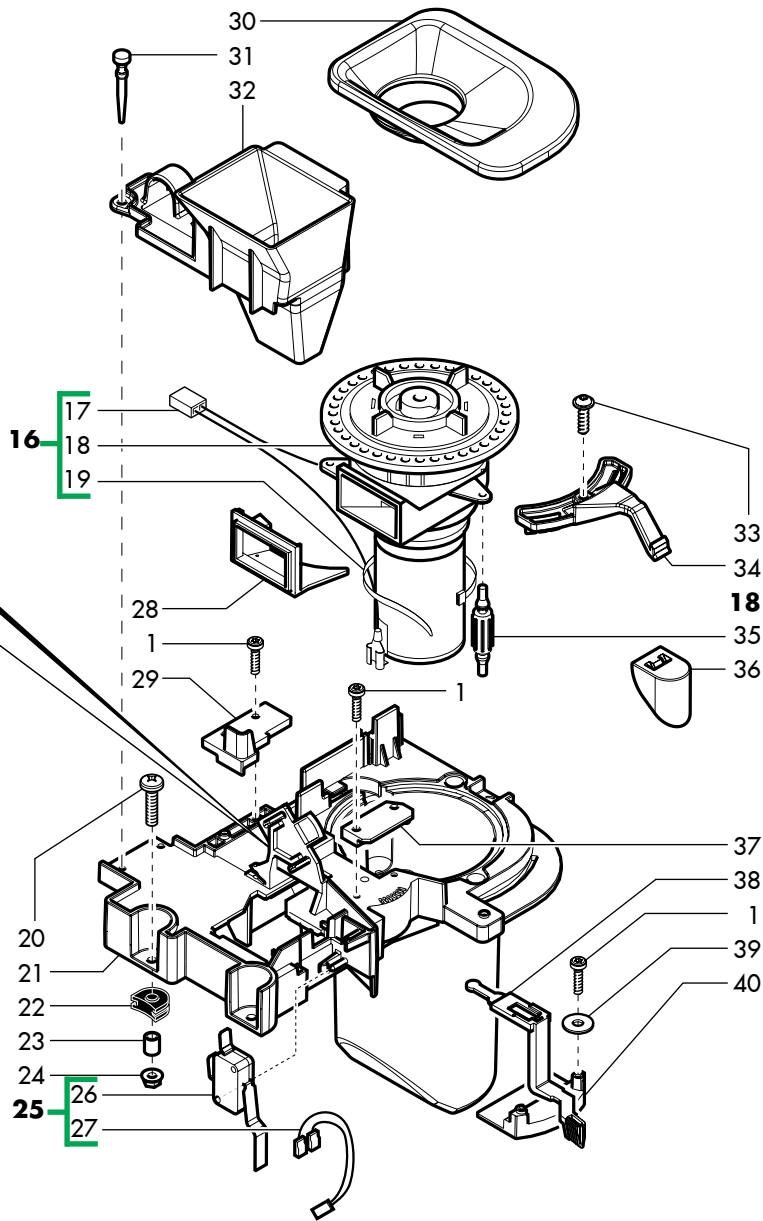
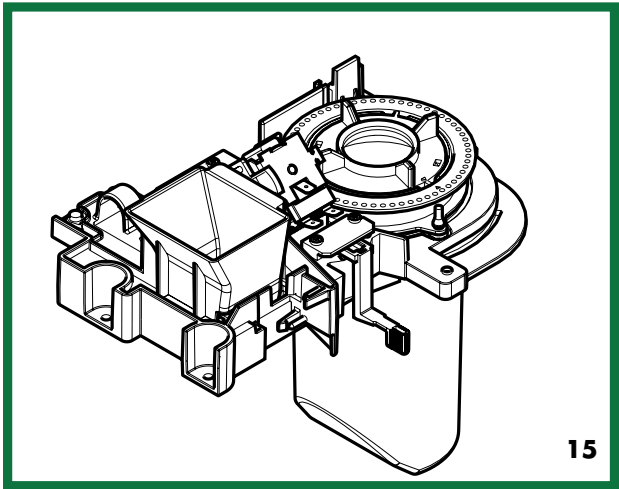
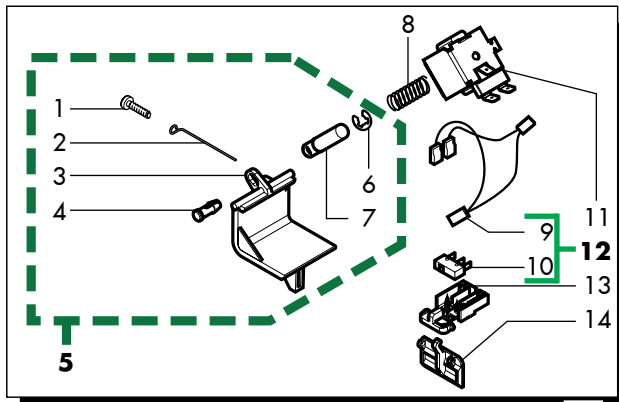
Pos	Article-Nr.	Description	Pos	Article-Nr.	Description
1	421941276892	STEEL STEAM TUBOL.BOILER SUPPORT V2 RYL	45	NM01.035	OR ORM 0090-20 SILICONE
2	12000450	SCREW TCB TORX 10 3,5X12 PLAST.ZN-N			
3	17000471	BLACK BOILER ANTIVIBRATION RYL			
4	421944057621	NEU SLIM TUB.BOILERS SUPPORT V2 MYB9			
5	11026313	SLIM TUB.BOIL.C2 T190°-190°1300W 230V AS			
5	11026314	SLIM TUB.BOIL.C2 T190°-190°1300W 120V AS			
5	11026315				
6	12001369	SCREW TSP TORX 10 5X35 PLAST.SS			
7	17001178	BLK EV 1/8"GAS.CONNECTOR V2 INSERT RYL			
8	17001909	RED EV CONNECTOR 1/8"GAS SEAL V2 RYL			
9	11027334	TEA/BRASS ELECTROV.CONNECT1/8"GAS V2 RYL			
10	11024469	L-F/BRASS CONNECTOR FOR BOILER AURA			
11	17001262	LFBRASS 2W.EV 21JN1RRV20-X005+LBV05024CU			
12	17000168	BLACK ELECTROV/CONNECTOR SUPP.RYL			
13	U043.012	SCREW TCB TORX 20 M4X6 ZN-B			
14	NM01.057	OR ORM 0050-20 IN SILICONE			
15	17001908	BRASS 4WAYS CONNECT+SAFETY VALVE V3 RYL			
16	17000428	STEEL CONNECTORS FIXING PLATE RYL			
17	11031414	TEA/BRASS ELECTROV.V3 24V RYL/T ASSY.			
18	12001622	SCREW TCB TORX B 3,5X9,5 SCHEET NIK			
19	190800100	TEMPERATURE SENSOR NTC UL L=280MM			
20	129573402	SCREW TAPT M4X10 DIN 7985 GALV			
21	11028183	STEAM TUB.BOILER 120V RYL ASSY.			
21	11025706	STEAM TUB.BOILER 230V RYL ASSY.			
22	11028182	COFFEE TUB.BOILER 120V RYL/T ASSY.			
22	11025705	COFFEE TUB.BOILER 230V RYL/T ASSY.			
22	421946018111				
23	11013735	SLIM TUB.BOILER 1300W 230V ASSY.			
23	11023153	SLIM TUB.BOILER 1300W 120V ASSY.			
23	11024193	SLIM TUB.BOILER 1100W 100V ASSY.			
24	12001033	THERMOSTAT ONE SHOT 190°			
25	11001751	TUB.BOILER V3 UPPER THERM.FIXING SPRING			
26	124390520	BRASS BENT FASTON 45° 6,3X0,8			
27	128310402	GALV.WASHER UNI 8842 A4			
28	12001715	SCREW TCB TORX 20 M4X8 AUTOFORMING ZN-B			
29	11025744	TEA/BRASS HOT WATER PIN RYL ASSY.			
30	128310521	WASHER UNI 8842 A5 SS			
31	11003555	GALVANIZED SELF-TAPPING SCREW 4,8X32			
32	17000163	STEEL COFFEE TUBOL.BOILER SUPPORT RYL/T			
33	11000750	TEA/BRASS CONNECTOR FOR SILICONE TUBE			
34	140328059	OR 2015 SILICONE PTFE/FDA			
35	17000156	BLACK HOT WATER PIN SUPPORT RYL			
36	140326662	OR ORM 0040-20 SILICONE			
37	11009012	TEA/BRASS BOILER PIN BUSH			
38	11009013	TEA/BRASS PIN FOR PISTON L=10			
39	9011.132	SS SPRING FOR PIN			
40	11009019	TEA/BRASS PISTON L=20,9 ASSY.			
41	9161.434	HOT WATER PIN			
42	11005099	NATURAL CURSOR V2 FOR BOILER P119			
43	11026413	TEA/BRASS HOT WATER PIN PLUG RYL			
44	9011.144	SS FORK FOR TUBE D=4			



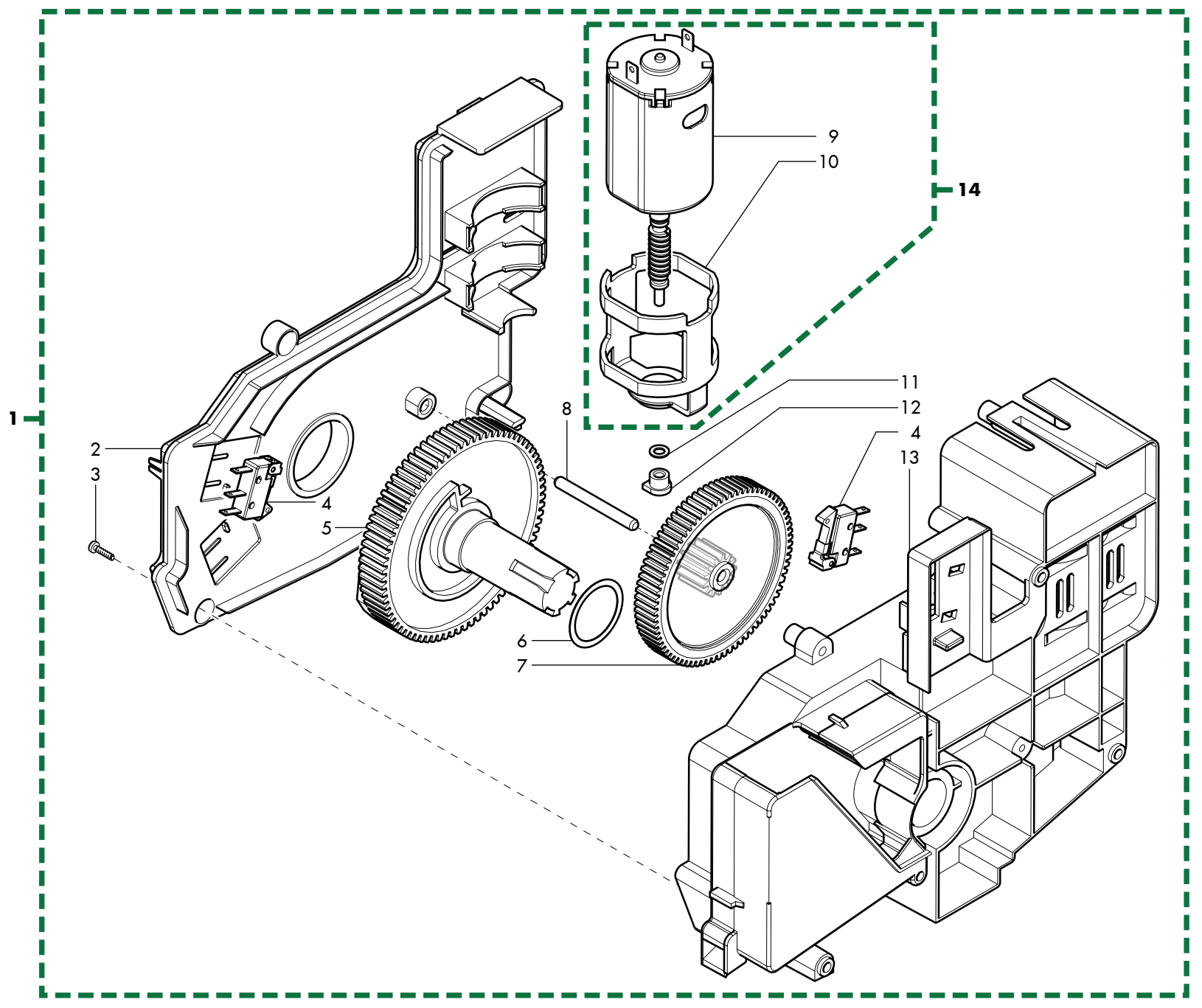
Pos	Article-Nr.	Description	Pos	Article-Nr.	Description
1	11027095	WATER CONTAINER/EV DRAIN TUBES RYL ASSY.	35	11001513	BLOWDOWN VALVE MEMBRANE SEAL P0049
2	11035450	SILICONE TUBE 5X10 L.2000MM			
3	147920300	TRANS.CONNECTOR D=8 ART.80.26.047 KA.461			
4	11027788	PINK 5X8,9 SILICONE TUBE L=2000MM			
5	12000892	OETIKER CLAMP D=9,5 16700004			
6	11028186	120V/BLK PROT+BLOWDOWN VALVE RYL/T ASSY.			
6	11028149				
6	11025743				
6	421946018131				
7	421946018141				
7	11025742	BLOWDOWN VALVE V3 RYL 230V ASSY.			
7	11028161	BLOWDOWN VALVE V3 RYL 220V-60HZ ASSY.			
7	11028187	BLOWDOWN VALVE V3 RYL 120V ASSY.			
8	11025741				
9	17000165	BLACK DRIP TRAY PROTECTION RYL			
10	129913902	SCREW TCB TORX 10 3X12 PLAST.ZN-B			
11	17800442	2POLES CONNECT.SENSOR REED DUMP BOX CST			
12	17800203	2POLES CONNECTOR STEAM PUMP RYL UL			
13	11029554	BLACK/SBD ULKA MF PUMP SUPPORT			
14	184320200	SPRING HOSE CLAMP D=9,5MM			
15	17800202	2POLES CONNECTOR COFFEE PUMP RYL UL			
16	11022857	BLACK PUMP SUPPORT GMYB			
17	11001054	BLK PUMP OUTLET 90°CONNECTOR P0049/B			
18	140321961	O-RING 2031 TERMOIL			
19	17000973	BLACK COMPONENTS SUPPORT RYLO			
20	11034678	COMPONENTS SUPP.V3 230V RYLO ASSY.			
20	11034705	COMPONENTS SUPP.220V-60HZ V2 RYL ASSY.			
20	11034706	COMPONENTS SUPP. V2 120V RYL ASSY.			
20	11034709	COMPONENTS SUPP. V2 100V RYL ASSY.			
21	12001212	ULKA PUMP MF 230V-50HZ			
21	12001346	ULKA PUMP MF 120V-60HZ			
21	12001347	ULKA PUMP MF 100V-50/60HZ			
21	12001348	ULKA PUMP MF 220V-50/60HZ			
22	12000130	ULKA PUMP EP5/S GW 100V-50/60HZ			
22	12000131	ULKA PUMP EP5/S 120V-60HZ			
22	12000182	ULKA PUMP EP5/S GW 220V-60HZ			
22	421941305991	ULKA PUMP EP5FMGW 230V-50HZ			
23	11025709				
24	11012193	90° INLET CONNECTOR FOR PUMP ULKA MF			
25	147920150	90° INLET PUMP CONNECTOR			
26	421946001551	6P.CONN.FLOWMETER V3 RYL UL ASSY.			
27	12000450	SCREW TCB TORX 10 3,5X12 PLAST.ZN-N			
28	421941294291				
28	17800455				
29	147756562	BLK PROTECTION FOR FOLK SPRING TUBE D=4			
30	12001595	TRANSP/WHITE ASPIRATION FILTER MDS			
31	NV99.099	TURBINE D=1,2 932-9521/B ASSY.			
32	NE03.038	BIPOLAR SWITCH FUSIT C1250AR			
33	12001883	CUP SOCKET V3 EN 60320 C 13			
34	11028204	BLACK SOCKET-SWITCH SUPPORT RYL UL			
34	17000162	BLACK SOCKET-SWITCH SUPPORT RYL			



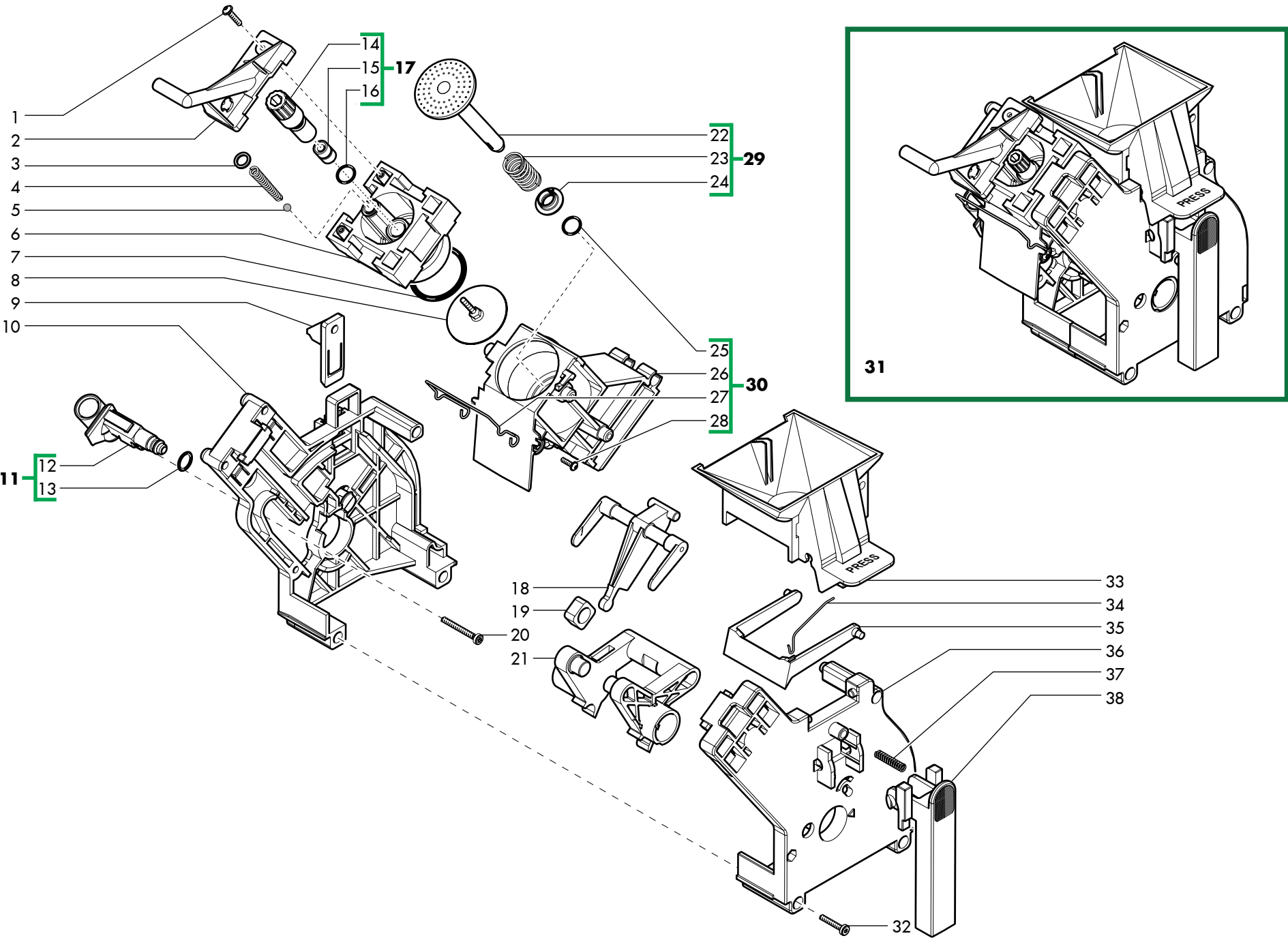
Pos	Article-Nr.	Description	Pos	Article-Nr.	Description
1	11029347	120V GL/SPEC.CASING COV.PSA RYL/T UL ASS	33	11025725	NAT/GREY WATER CONTAINER S/SCR.RYL ASSY.
1	421941304751		34	11027653	GLOSS/SPEC.WATER CONTAINER LID RYL
1	421946018081		35	11027679	GLOSS/SPE.BEAN COF.CONT.LID RYL ASSY.
2	11025757	GLOSS/SPEC.FRONT PANEL RYL	36	11004160	D=6 H=4 MAGNET P0049
3	11029346	GL/SPEC.CASING COVER S/S.CAPPUC.RYL/T UL	37	12001431	SCREW TCB TORX 10 3X12 PLAST.SS
3	17000175	SB/SS CUPWARMING LID RYL	38	17000188	NAT/GREY BEAN CONTAINER RYL
3	421944008921	GLO/SPEC.CASING COVER S/SCR.RYLO/P			
4	421941306721	CPU+SW WATER LEVEL SENSOR V3 ASSY.			
4	17000349	BLACK SEAL FOR CUPWARMING LID RYL			
5	17000391	BLACK WATER LEVEL SENSOR SUPPORT RYL			
5	11030768	ADHES.SILVER PLATE LOGO SAECO NPR			
6	12000450	SCREW TCBR TORX 10 3,5X12 PLAST.ZN-N			
6	11029346	GL/SPEC.CASING COVER S/S.CAPPUC.RYL/T UL			
6	421944008921	GLO/SPEC.CASING COVER S/SCR.RYLO/P			
7	421941306721	CPU+SW WATER LEVEL SENSOR V3 ASSY.			
7	17000239	GREY BEAN CONTAINER SENSOR SUPPORT RYL			
8	17000422	TRANSP.INFRAREDS PLATE RYL			
8	17000391	BLACK WATER LEVEL SENSOR SUPPORT RYL			
9	12000450	SCREW TCBR TORX 10 3,5X12 PLAST.ZN-N			
9	0701.031.150	GREY WATER VALVE GACO DIM 14 SEAL COVER			
10	11000791	ADHESIVE HEATING-ELEMENT 120V			
10	145842900	NBR WATER CONT.VALVE GACO DIM14 SEAL			
10	WGA431603100	ADHESIVE HEATING-ELEMENT 230V			
11	17000826	BRASS CUPWARMING LID BUSH RYL			
11	12000895	SCREW TSP TORX 10 3X10 PLAST.SS			
12	0701.014.150	GREY WATER VALVE GACO DIM 14 SEAL CONT.			
12	U324.005	NUT M3 FLANGED INDENTED BASE			
13	17000239	GREY BEAN CONTAINER SENSOR SUPPORT RYL			
13	140320461	OR ORM 0080-20 TERMOIL			
14	17000174	BLACK WATER CONTAINER HANDLE RYL			
14	421946000521	2P.CONN.SUPPLY CUPWARMER V2 RYL UL ASSY.			
15	17001480	BLK BEAN CONTAIN.SENSOR SUPP.INSERT RYL			
15	17001255	BLACK PLUG FOR WATER CONTAIN.HANDLE RYL			
16	11025739	SB/SS GROUND CONT.DOOR COVER S/S.RYL ASS			
16	11027676				
17	11025771	GLOSS/SPEC.COVER CASING INSERT S/SCR.RYL			
18	17000422	TRANSP.INFRAREDS PLATE RYL			
19	0701.031.150	GREY WATER VALVE GACO DIM 14 SEAL COVER			
20	145842900	NBR WATER CONT.VALVE GACO DIM14 SEAL			
21	12000895	SCREW TSP TORX 10 3X10 PLAST.SS			
22	0701.014.150	GREY WATER VALVE GACO DIM 14 SEAL CONT.			
23	140320461	OR ORM 0080-20 TERMOIL			
24	17000174	BLACK WATER CONTAINER HANDLE RYL			
25	17001255	BLACK PLUG FOR WATER CONTAIN.HANDLE RYL			
26	11027676				
27	144650800	WHITE WATER CONTAINER EXT.FILTER			
28	140328461	OR ORM 0190-10 EPDM			
29	224640200	WHITE WATER CONTAINER EXT.FILTER ASSY.			
30	140324362	OR ORM 0060-30 SILICONE			
31	126764718	SS WATER CONTAINER VALVE SPRING			
32	147660562	GREY PISTON FOR WATER CONTAINER VALVE			



Pos	Article-Nr.	Description	Pos	Article-Nr.	Description
1	129913902	SCREW TCB TORX 10 3X12 PLAST.ZN-B	46	149188750	CONICAL GRIND. SUPP. + RING MAGIC
2	9161.048	STEEL GROUND COF.DOSER SCRAPER ROD	47	140360200	FELT RING 40X34X5
3	9161.074.150	GREY GROUND COFFE DOSER DOOR	48	146570950	RING NUT FOR GRINDING ADJUSTMENT MAGIC
4	9161.076.150	GREY GROUND COF.DOSER DOOR PIN	49	128610421	STAIL.STELL AISI 304 SPHERE D=3,2MM
5	9140.017	GREY GROUND COF.DOSER DOOR ASSY.	50	126770117	NEW SPRING SPHERE D=3,2 MOTOR MAGIC
6	U701.003	SNAP RING 7 UNI 7434	51	9141.080	BLACK COFFEE GRINDER MOTOR SUPPORT
7	9161.041	STEEL GROUND COF.DOSER ELECTROMAGN.CORE	52	140230400	SHOCK ABS .CONICAL GRINDER SUPP.MAGIC
8	126764818	SPRING ELECTROM.BEAN DOSER MAGIC	53	9141.042	SAFETY RING
9	421946000541	4P.CONN.COIL+DOSER MICRO V2 RYL UL ASSY.	54	9141.028	BLACK LOWER GRINDER SUPPORT MAGIC
10	NE05.017	MICROSWITCH	55	9141.039	UPPER GRINDER
11	11025734	DOSER COIL FOR SUPERAUTOM.24V DC ASSY.	56	9141.040	CONICAL GRINDER
12	421946000921		57	226477700	KIT ITAL MILL GRINDERS
13	9161.072.150	GREY MICRO SUPP.CURSOR GROUND COF.DOSER	58	128610521	STAIL.STEEL AISI 304 SPHERE D=5,5MM
14	9161.073.150	GREY GROUND COF.DOSE CONTROL COMPENSATOR	59	126765517	STEEL SPRING SPHERE D=5,5 MOTOR MAGIC
15	421946018101		60	0301.R10.00A	SPARE MOTOR UNIT MC 230V
15	11028180	PLATE COFFEE GRINDER GEN.RYL 120V ASSY.	60	0301.R10.00F	SPARE MOTOR UNIT MC 120V
15	11025732		60	0301.R10.00R	SPARE MOTOR UNIT MC 100V
16	11028181				
16	11027917				
16	421946018171				
17	421946000531	2P.CONN.GRINDER MOTOR V2 RYL UL ASSY.			
18	9140.036.00A	COFFEE GRINDER STD 230V ASSY.			
18	9140.036.00F	ASS.MOTOR STD 120V			
18	9140.036.00R	ASS.MOTOR STD 100V 50/60HZ			
19	144320200	SELF LOCK STRIP W=2.6 L=200			
20	U043.004	ZN-B TCB TORX 20 M4X16 ZN-B			
21	9161.365.150	GREY PLATE COFFEEGRINDER MAGIC/ROYAL			
22	9991.005	RUBBER FOR COFFEE GRINDER			
23	9141.003	SPACER FOR RUBBER			
24	U324.006	NUT M4 FLANGED INDENTED BASE			
25	421946000911	MICROSWITCH DOOR V2 RYL UL ASSY.			
26	12001605	MICROSWITCH			
27	421946000501				
28	1505.014	COFFEEGRINDER SEAL			
29	17001155	GREY COVER FOR DOSER HOLE RYL			
30	17000238	COFFEE GRINDER SOUNDPROOFING COVER RYL			
31	9161.082	RUBBER COUPLER			
32	17000176	BLACK HOPPER FOR POWDER COFFEE RYL			
33	12000450	SCREW TCB TORX 10 3,5X12 PLAST.ZN-N			
34	17000198	BLACK GRINDING ADJUSTM.LEVER RYL			
35	9991.103	ANTIVIBRATION FOR COFFEEGRINDER			
36	421941300291	BLK/SIL.GRIND.ADJUS.LEVER HANDGRIP RYL			
37	9161.097.150	GREY GROUND COF.DOSER LEVER FIXING PLATE			
38	0313.003.150	7016/GREY GROUND COF.DOSER ADJUSTM.LEVER			
39	U201.001	PLAIN WASHER 3,2X9 DIN 7349 GALV.			
40	9161.403.150	GREY COFFEE DOSE ADJUSTMENT SCALE			
41	149186150	BLACK UPPER GRINDER SUPPORT MAGIC			
42	142844550	UPPER GRINDER COVER COFFEE GRIND. MAGIC			
43	129931002	TORX SCREW T10 TCB 3,5X40 SX ZNG			
44	147470763	BLK INCREASE SCREW PIN COF.GRINDER MAGIC			
45	U201.002	PLAIN WASHER 10X16X0,2DIN 988 GAL			

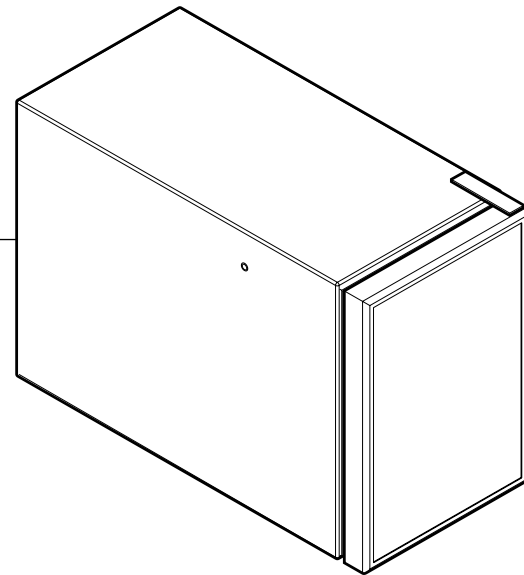
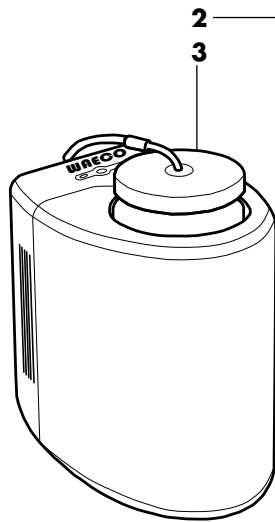
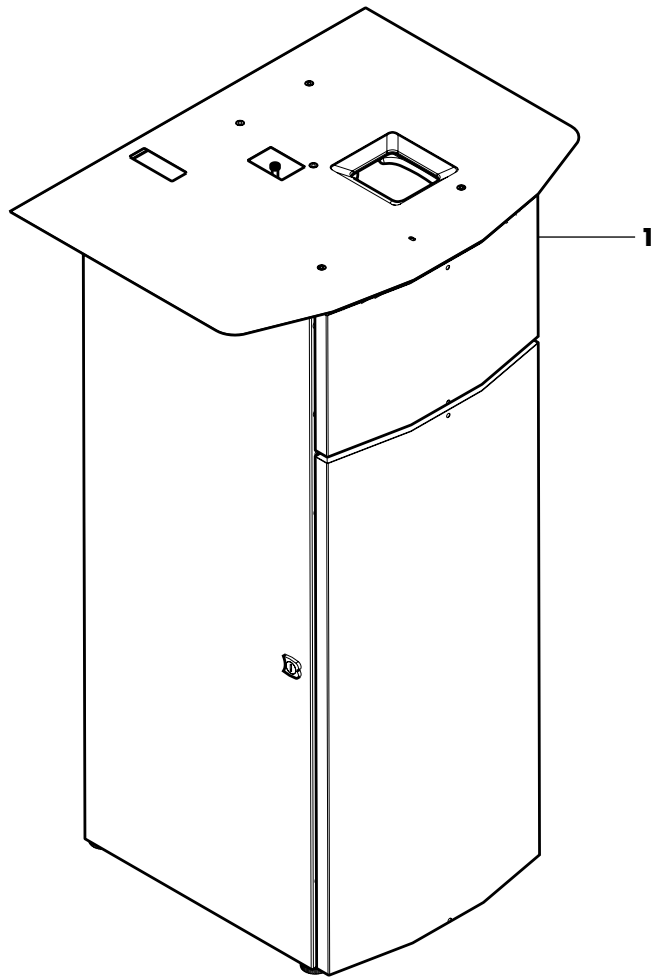


Pos	Article-Nr.	Description	Pos	Article-Nr.	Description
1	11025736	RATIOMOTOR RYL ASSY.			
2	17000719	GREY RATIOMOTOR LID RYL			
3	129670202	TCB PANELVIT SCREW 3,5X16 TESTA D=8 ZNP			
4	NE05.038	MICROSWITCH SAIA XCG5-81-P5			
5	11007137	BLACK GEAR Z=77 V2 FOR RATIOMOTOR P124			
6	9161.368	MYLAR WASHER FOR RATIOMOTOR			
7	146002800	GREY GEAR Z=13/90 FOR RATIOMOTOR P124			
8	9121.039	STEEL PIN FOR RATIOMOTOR GEAR MAGIC			
9	11003037	MOTOR FOR RATIOMOTOR ASSY.			
10	9121.044	ANTIVIBRATION FOR MOTOR			
11	148380200	BAKELIZZATE WASHER D=5,5			
12	9121.046	BRONZE SINTERED BUSH FOR MOTOR RATIOMOT.			
13	11026258	GREY RATIOMOTOR CASING WITH TUBE ASSY.			
14	11005214	MOTOR FOR RATIOMOTOR P124 ASSY.			



Pos	Article-Nr.	Description
1	12002170	SCREW TCB TORX 10 3X16 PLAST SS
2	11003789	BLACK COFF.OUTLET SLEEVE BREW UNIT ROYAL
3	11021334	BLK COUNTERPISTON SEAL DE=11 DI=8 SP=1,4
4	9161.222	SS.CONICAL SPRING
5	421944034451	BOROSILICATE SPHERE D.5 MM
6	11003796	BLACK BREW UNIT COUNTERPISTON M5000
7	NM01.044	OR ORM 0320-40 SILICONE PTFE/FDA
8	9160.075	PERCOLATOR DE=35,8 ELFO ASSY.
9	11004114	BLACK BREW UNIT COUPLING PLATE
10	421941158532	BLACK BREW UNIT REAR PLATE V2 M5000
11	20000440	BLACK WATER INLET SLEEVE BREW UNIT ASSY.
12	9161.064.050	BLACK WATER INLET SLEEVE BREW UNIT ROYAL
13	NM02.007	OR 2025 IN TERMOIL
14	147472650	PIN BLACK FOR PERCOLATOR
15	NF11.067	BASS INSERT FOR PERCOLATOR LOCKING PIN
16	140324461	OR ORM 0060-20 TERMOIL
17	227470150	PIN BLACK ASS.FOR PERCOLATOR
18	11003078	BLACK CONNECTING ROD BREW UNIT 8GR.
19	9161.094.050	BLACK BREW UNIT DRILLED BLOCK
20	12000550	SCREW TCB TORX 10 3X25 PLAST.SS
21	9161.066.050	BLACK BREW UNIT ELBOW SHAFT M5000
22	11003077	BLK BREW UNIT INTEGRAL PISTON 8GR.ASSY.
23	9161.198	SS.8GR.BREW UNIT PISTON SPRING
24	9161.191	WHITE 8GR.-12GR.BREW UNIT PISTON BUSH
25	NM02.018	OR ORM 0090-25 TERMOIL
26	421944014611	BLK COF.CONTAIN.BREW UNIT V2 M5000 ASSY.
27	11001556	SS BREW UNIT SPRING H=49 SMART
28	129912521	SCREW TCB TORX 10 3,5X14 PLAST.SS
29	11023086	BLK 8GR.BREW UNIT NTEGR.PISTON GEN.ASSY.
30	11004750	ASS. CUP DISPENSER 120V D.73
31	11003800	BLACK BREW UNIT MAGIC/ROYAL
32	12000897	SCREW TCB TORX 10 3,5X20 PLAST.SS
33	11003795	BLACK HOPPER COFF.BREW UNIT S/SCR.M5000
34	9161.046	SS SCRAPER SPRING FOR BREW UNIT
35	11004161	BLACK SCRAPER FOR BREW UNIT M5000
36	11003793	BLACK BREW UNIT FRONT PLATE M5000
37	9161.045	SS BREW UNIT HANDGRIP SPRING M5000
38	11003791	BLACK BREW UNIT HANDGRIP M5000

Pos	Article-Nr.	Description
-----	-------------	-------------



E74192**RI9843, SUP040**

Pos	Article-Nr.	Description	Pos	Article-Nr.	Description
1	10005004				
2	21001800	ACC PR FRIGO ASTRA 220/230 50/60 SCH BLK			
3	21001820	ACC PR MANTENITORE 100/240V 50-60HZ BLK			