

E74230

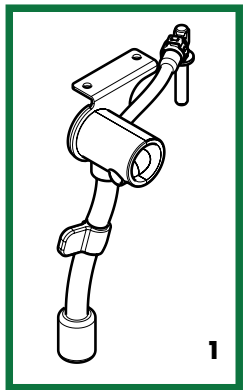
SUP040R, SUP040RB

Pos	Article-Nr.	Description	Pos	Article-Nr.	Description
1	15003897		14	12000450	SCREW TCBR TORX 10 3,5X12 PLAST.ZN-N
1	15003922	MANUAL SAE SUP040R RYLO RI 17LANG.	15	11029624	CRC DUMP BOX RYLO ASSY.
1	15004480	MANUAL SAE RI9852/01 RYLO/T V2 IT	15	421944010831	TXO/BLK DUMP BOX RYLO ASSY.
1	15004481	MANUAL SAE RI9852/01 RYLO/T V2 PT	15	421946004691	3P.CONN.DUMP BOX REED SENS.V2 RYLO UL AS
1	15004693	MANUAL SAE RI9852/01 RYLO/T V2 T-CHN	16	9991.093	MAGNET D=9,5 X H=1,5
1	15004696	MANUAL SAE 10004590 RYLO/T V2 GB	16	13001518	PS-E LEFT INSERT FOR BOX RYLO
1	15004697	MANUAL SAE 10004590 RYLO/T V2 FR	17	13001517	PS-E RIGHT INSERT FOR BOX RYLO
1	15004698	MANUAL SAE 10004590 RYLO/T V2 ES	17	9161.111	MAGNET FOR FLOAT SUPERAUT.
1	15004712	MANUAL SAE 10004800 RYLO/T V2 CHN	18	11029624	CRC DUMP BOX RYLO ASSY.
1	17004056	MANUAL SAE RYLO/T V2 KR 220/60 GB	18	11030099	CRC DRIP TRAY RYL ASSY.
1	17004057	MANUAL SAE RYLO/T V2 KR 220/60 KR	19	12001902	LOCK MERONI 337
1	421940439261	INSTRUCT.SHEET ACCESSORIES RYLO	19	12001622	SCREW TCB TORX B 3,5X9,5 SCHEET NIK
1	421944063331	MANUAL SAE RI9852/01 RYLO/T V2 GB	20	12001622	SCREW TCB TORX B 3,5X9,5 SCHEET NIK
1	421944063341	MANUAL SAE RI9852/01 RYLO/T V2 DE	20	129535721	SCREW TSP TORX 10 AB 3,5X9,5 SHEET SS
1	421944063351	MANUAL SAE RI9852/01 RYLO/T V2 FR	20	17002048	GREY CASING LEFT CLOSING INSERT RYLO/T
1	421944063361	MANUAL SAE RI9852/01 RYLO/T V2 ES	20	421941301161	BLK CASING LEFT CLOSING INSERT RYLO/T
2	17000736	RED KEY FOR SAFETY MICRO RYLO	21	17002048	GREY CASING LEFT CLOSING INSERT RYLO/T
3	13001328	WHITE EXTERNAL BOX RYLO SAE	21	11031307	BLACK CASING RIGHT CLOSING INSERT RYL
3	11001985	BLACK POWER CABLE KOREA L=1200	21	17000829	BLACK BEAN CONTAINER SENSOR SUPPORT
3	11004246	BLACK POWER CABLE TAIWAN HVCTF L=1200	21	17001369	RYLO GREY CASING RIGHT CLOSING INSERT V2 RYL
3	11004247	BLACK POWER CABLE RVV 3X1 CHINA L=1200	22	17001369	GREY CASING RIGHT CLOSING INSERT V2 RYL
3	NE01.093	CABLE ARGENTINA + PLUG EN60320 C13	22	12000895	SCREW TSP TORX 10 3X10 PLAST.SS
3	183911050	BLACK POWER CABLE SCHUKO L=1200	22	0301.041.150	GREY BREW UNIT SUPPORT PLATE ROYAL
3	183921950	POWER CABLE SJT3 USA BLACK UL L=1200	23	0301.020	NIK/BRASS PIN FOR DOOR SUPERAUT.
3	183940650	BLACK POWER CABLE AUSTRALIA L=1200	23	12000895	SCREW TSP TORX 10 3X10 PLAST.SS
3	17800019	BLACK POWER CABLE BRAZIL L=1200	23	17000723	GREY DUMP BOX GUIDE RYL
4	17001988	STEEL CASING DOOR LOCK BRACKET RYLO	24	17000723	GREY DUMP BOX GUIDE RYL
4	0301.961	STICKER FOR WATER HARDNESS TEST	24	17001444	BLACK WATER LEVEL SENSOR SUPPORT RYLO
5	0301.961	STICKER FOR WATER HARDNESS TEST	24	17000240	GREY MOUNTING PLATE INSERT RYL
5	17000982	BLACK DRIP TRAY COVER RYL	25	17000240	GREY MOUNTING PLATE INSERT RYL
6	17000779	BLACK STEAM TUBE PROTECTION RYL	25	0301.019	NIK/BRASS PIN FOR DOOR SUPERAUT.
6	11029899	SB/SS DRIP TRAY GRATE RYL/T	25	17800442	2POLES CONNECT.SENSOR REED DUMP BOX
7	17000991	RED FLOAT V2 FOR DRIP TRAY RYL	26	17800442	CST 2POLES CONNECT.SENSOR REED DUMP BOX
7	183911050	BLACK POWER CABLE SCHUKO L=1200	26	11025819	CST BLACK CASING DOOR RYL ASSY.
8	421944011851	TXO/BLK FRONT CASING COVER RYL/T	26	17001369	GREY CASING RIGHT CLOSING INSERT V2 RYL
8	421944068801		27	17000723	GREY DUMP BOX GUIDE RYL
8	17000828	BLACK CASING BOTTOM PLUG RYLO	27	11025819	BLACK CASING DOOR RYL ASSY.
8	11030098	CRC FRONT CASING COVER RYL/T	27	0301.019	NIK/BRASS PIN FOR DOOR SUPERAUT.
8	11031091	TXO/BLK FRONT CASING COVER RYL/H	28	0301.019	NIK/BRASS PIN FOR DOOR SUPERAUT.
9	12000895	SCREW TSP TORX 10 3X10 PLAST.SS	28	0301.020	NIK/BRASS PIN FOR DOOR SUPERAUT.
9	129535721	SCREW TSP TORX 10 AB 3,5X9,5 SHEET SS	28	421941306721	CPU+SW WATER LEVEL SENSOR V3 ASSY.
10	13001327	HAVANA BOX RYLO SAE AULIKA	29	17000422	TRANSP.INFRAREDS PLATE RYL
10	U143.015	PANELVIT TCB 3,0X12 TORX BLACK	29	0301.020	NIK/BRASS PIN FOR DOOR SUPERAUT.
11	421944062731	BLK CONNECTOR LID	29	0301.041.150	GREY BREW UNIT SUPPORT PLATE ROYAL
11	11030098	CRC FRONT CASING COVER RYL/T	30	0301.041.150	GREY BREW UNIT SUPPORT PLATE ROYAL
12	17000779	BLACK STEAM TUBE PROTECTION RYL	30	12000450	SCREW TCBR TORX 10 3,5X12 PLAST.ZN-N
12	421941228712	BLK STEEL CASING V2 RYLO/T ASSY	30	9161.140	SEAL FOR UNIT PLATE
13	421941228712	BLK STEEL CASING V2 RYLO/T ASSY	31	20007081	SPARES KIT CRC CASING COVER S/SCR.RYLO
13	17002048	GREY CASING LEFT CLOSING INSERT RYLO/T	31	17000828	BLACK CASING BOTTOM PLUG RYLO
13	11025857	BLACK STEEL CASING RYLO/T ASSY.	32	17000828	BLACK CASING BOTTOM PLUG RYLO
14	11030103	CRC FRONT PANEL RYLO	32	12001622	SCREW TCB TORX B 3,5X9,5 SCHEET NIK
32	421946004691	3P.CONN.DUMP BOX REED SENS.V2 RYLO UL AS			
33	421946004691	3P.CONN.DUMP BOX REED SENS.V2 RYLO UL AS			
33	17800442	2POLES CONNECT.SENSOR REED DUMP BOX CST			
33	12001902	LOCK MERONI 337			

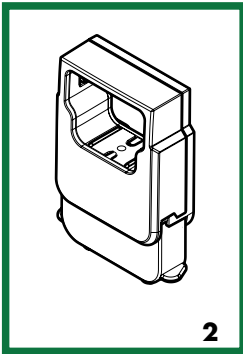
E74230**SUP040R, SUP040RB**

Pos	Article-Nr.	Description
34	12001902	LOCK MERONI 337
34	11025819	BLACK CASING DOOR RYL ASSY.
34	13001518	PS-E LEFT INSERT FOR BOX RYLO
35	13001518	PS-E LEFT INSERT FOR BOX RYLO
35	17000240	GREY MOUNTING PLATE INSERT RYL
35	13001517	PS-E RIGHT INSERT FOR BOX RYLO
36	13001517	PS-E RIGHT INSERT FOR BOX RYLO
36	13001327	HAVANA BOX RYLO SAE AULIKA
36	421944062731	BLK CONNECTOR LID
37	U143.015	PANELVIT TCB 3,0X12 TORX BLACK
37	13001327	HAVANA BOX RYLO SAE AULIKA
37	13001328	WHITE EXTERNAL BOX RYLO SAE
38	13001328	WHITE EXTERNAL BOX RYLO SAE
38	17001988	STEEL CASING DOOR LOCK BRACKET RYLO
39	17001988	STEEL CASING DOOR LOCK BRACKET RYLO
40	11025825	CRC CASING COVER RYLO/T

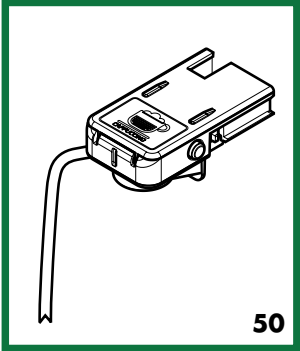
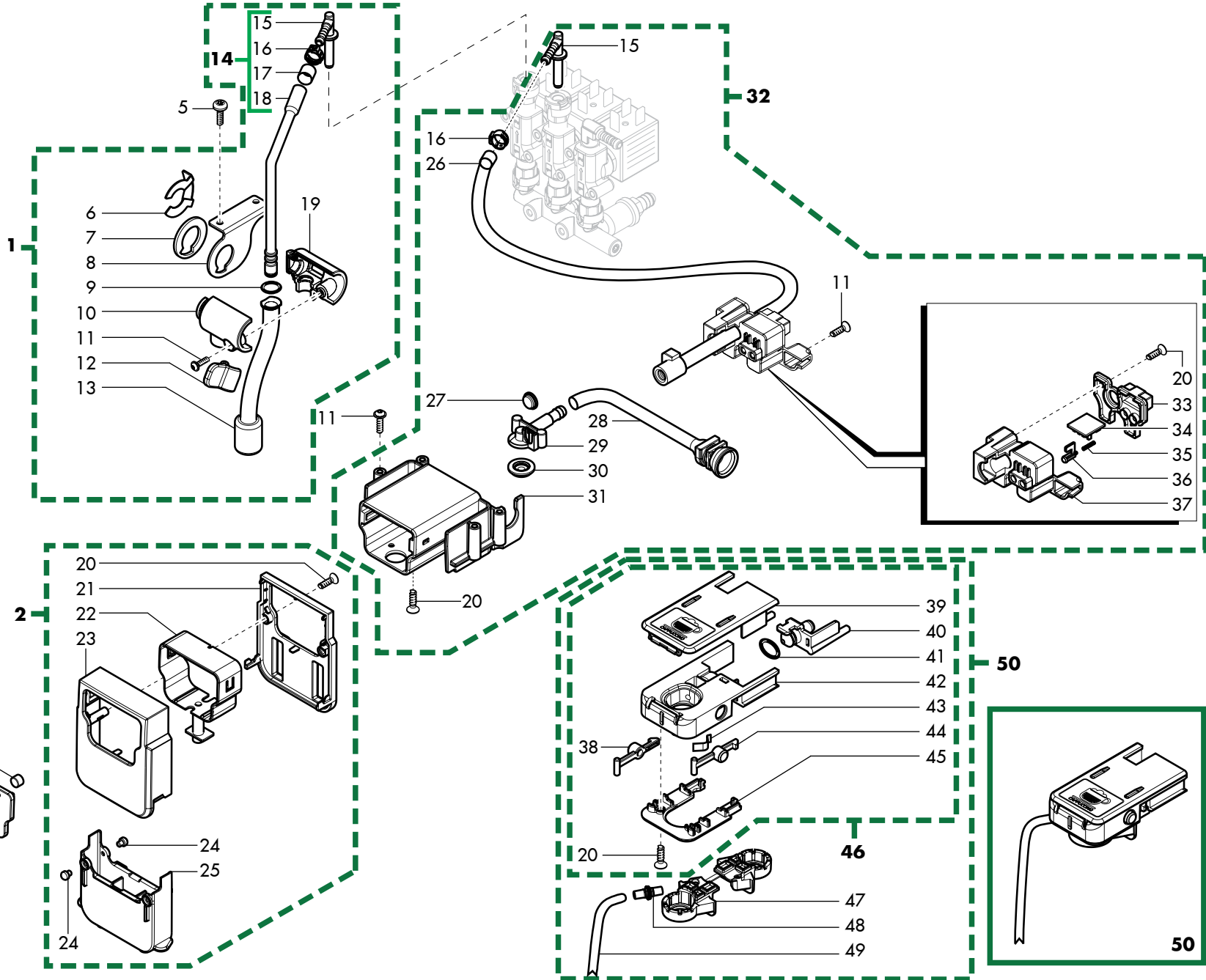
Pos	Article-Nr.	Description
-----	-------------	-------------



1



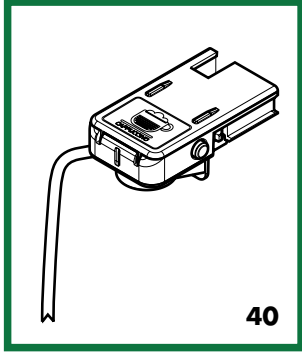
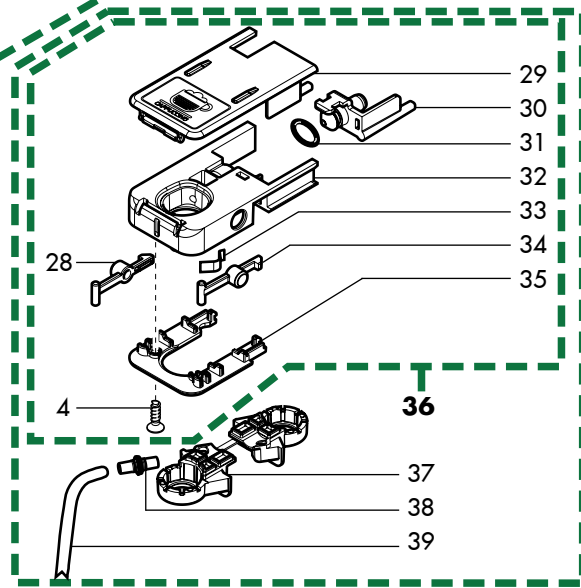
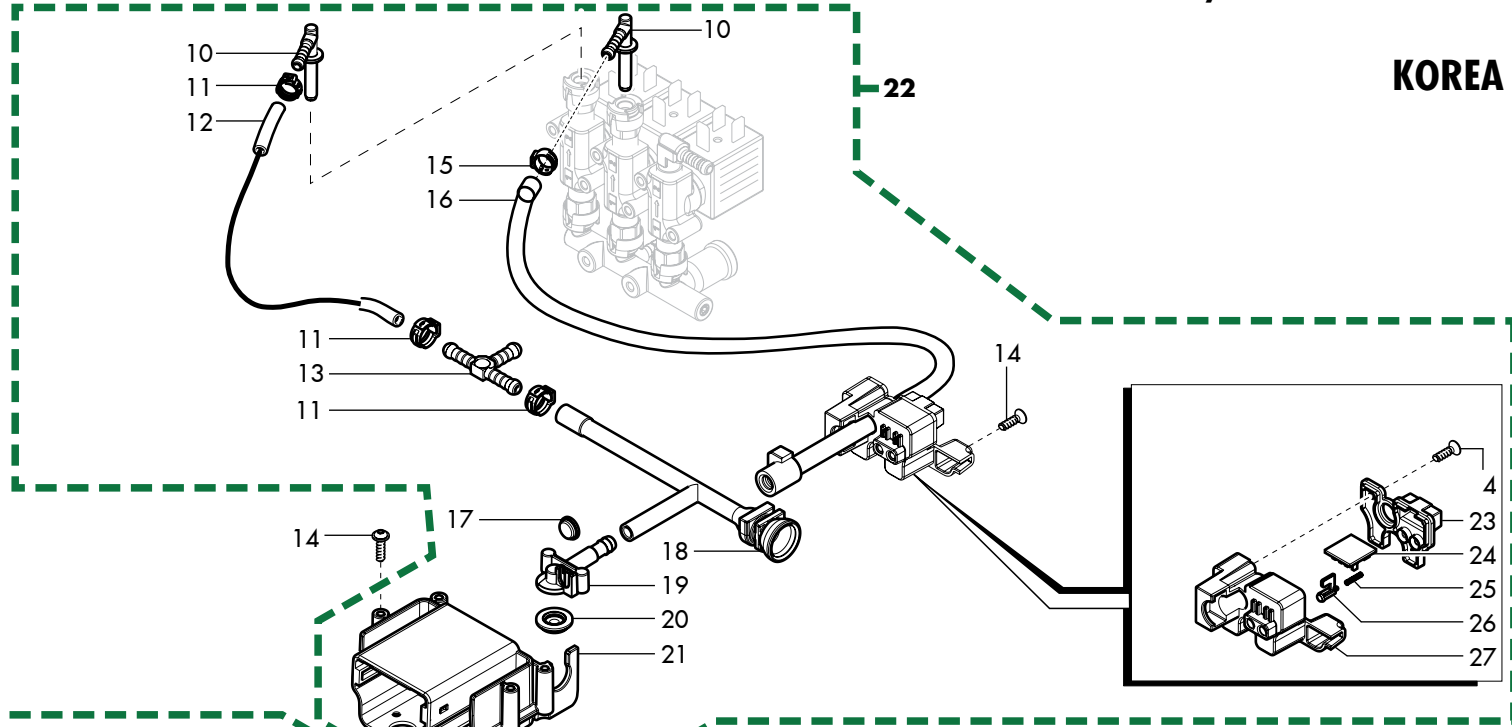
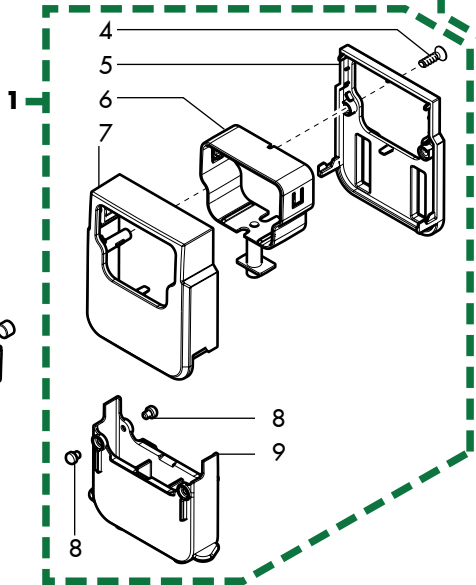
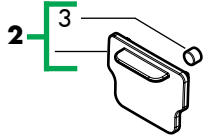
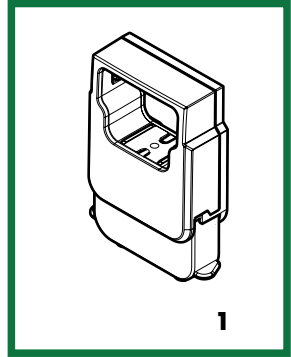
2



50

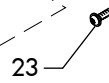
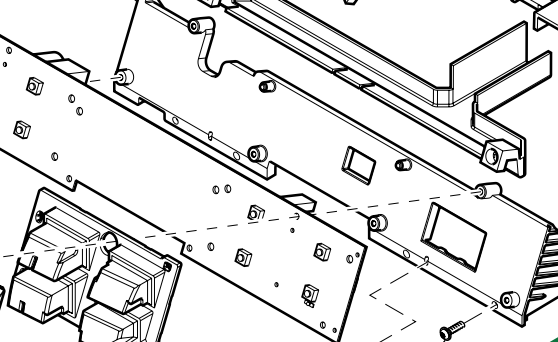
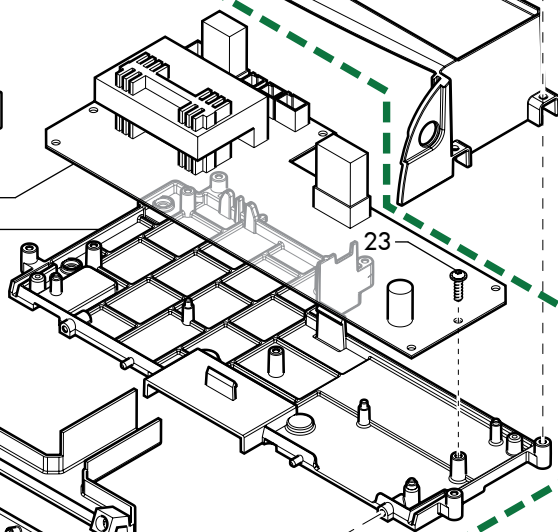
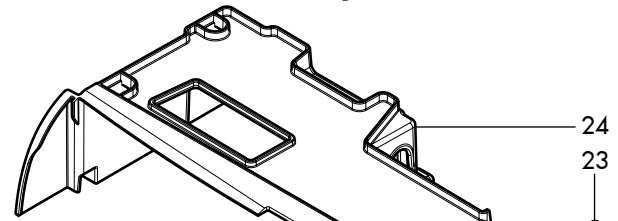
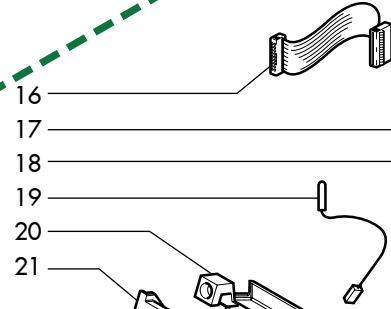
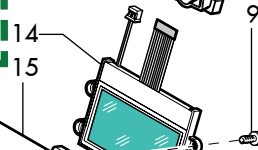
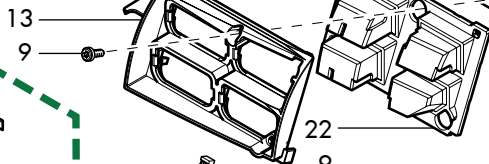
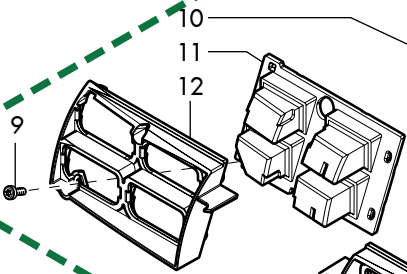
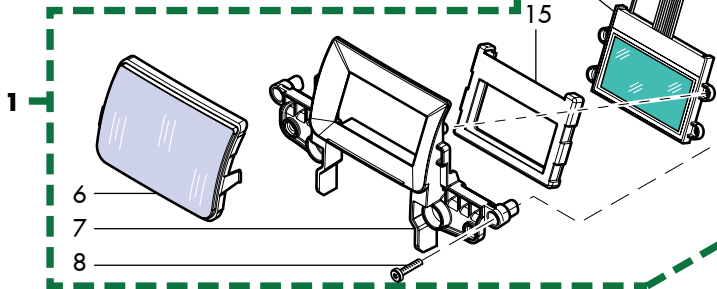
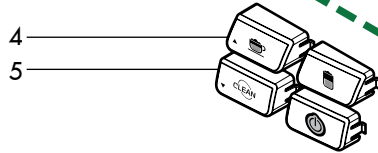
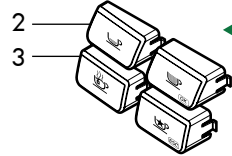
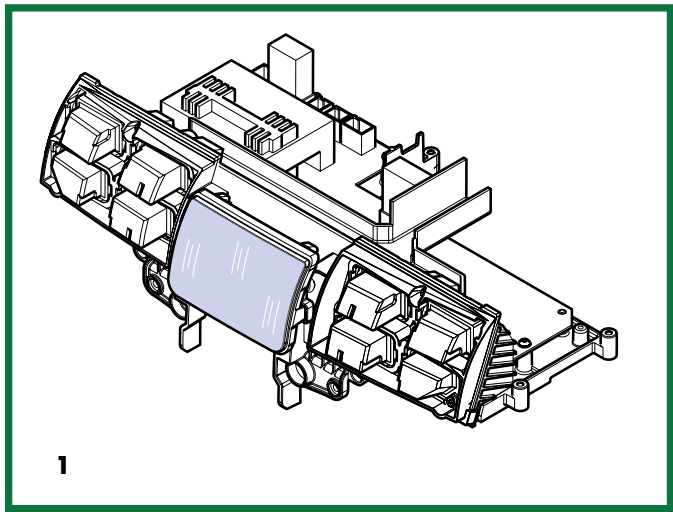
E74230**SUP040R, SUP040RB**

Pos	Article-Nr.	Description	Pos	Article-Nr.	Description
1	11031415	TF/CHR.TEA/BRASS STEAM TUBE V2 RYLO ASSY	50	421946032811	KIT BLK CAPPUCCINATORE RYLO
2	11030101	CRC COFFEE DISPENSER RYL ASSY.			
3	11030104	CRC FRONT COF.DISP.COVER RYL/T ASSY.			
4	9161.111	MAGNET FOR FLOAT SUPERAUT.			
5	12001622	SCREW TCB TORX B 3,5X9,5 SCHEET NIK			
6	NF11.084	PHOSPH/STEEL FOLK SPRING			
7	11001624	BLACK STEAM TUBE WASHER P0049			
8	17000815	STEEL STEAM TUBE SUPPORT BRACKET RYL			
9	140321961	O-RING 2031 TERMOIL			
10	17001437	BLACK FRONT STEAM TUBE SUPPORT RYL			
11	12000450	SCREW TCB TORX 10 3,5X12 PLAST.ZN-N			
12	17001574	BLACK STEAM TUBE HANDGRIP RYLO			
13	11029670	TF/CHROM.STEAM TUBE RYLO			
14	20007030	BLACK OUTPUT STEAM TUBE KIT RYL			
15	17002197	BLACK CAPPUCIN/STEAM TUBE CONNECT.V4 RYL			
15	11031165	TEA/BRASS CAPPUC/STEAM TUBE CONN.V3 RYL			
16	12000892	OETIKER CLAMP D=9,5 16700004			
17	11025683	BLACK TUBE DI=9,5 SP=0,30 L=10			
18	11022989	BLACK SILIC.STEAM DISPENSER TUBE MDS			
19	17000672	BLACK REAR STEAM TUBE SUPPORT RYL			
20	12000895	SCREW TSP TORX 10 3X10 PLAST.SS			
21	17000248	BLACK REAR COVER COFFEE DISPENSER RYL			
22	17000251	BLACK INNER BODY COFFEE DISPENS.RYL			
23	11030102	CRC FRONT COF.DISPENSER COVER RYL			
24	11013085	WHITE COFFEE DISPENSER SLIDER MYB9			
25	17000246	BLACK EXT.MOBILE PART COF.DISPENSER RYL			
26	20007031	BLK CAPPUC.OUTPUT STEAM CONNECT.KIT RYL			
27	11014016	SS.INSERT FOR MAGNET MYB9			
28	17000614	BLACK DISPENSER COFF.INLET CONNECT.RYL			
29	17000616	BLACK COFFEE DISPENSER TUBE RYL			
30	17000337	BLACK SEAL FOR COFFEE DISPENSER RYL			
31	17000257	BLACK.COFFEE DISPENSER SUPPORT RYL			
32	11031417	BLK TEA/BR.COF.DISPENS.SUPP.V3 RYL/T ASS			
33	17000348	BLK CAPPUCCINATORE BOARD SUPP.COVER RYL			
34	11025772	CAPPUCCINATORE BOARD RYL			
35	17000019	SS CARAFE MICRO INSERT SPRING MYB9			
36	17000421	BLACK CAPPUCCINATORE PRESENCE INSERT RYL			
37	17000339	BLACK CAPPUCCINATORE BOARD SUPPORT RYL			
38	17000389	GREY LEFT CAPPUCCINATORE INSERT RYL			
39	11030240	BLK UPPER CAPPUC.LID LASER-S/SCR.RYL			
39	17004098	BLK UPPER CAPPUC.LID LASER.RYL			
40	17000785	BLACK CAPPUC.INPUT MILK CONNECTOR RYL			
41	NM01.028	O-RING 106 SILICONE			
42	17000338	BLACK LEFT ENTRY CAPPUCCINAT.CASING RYL			
43	17000382	SS CAPPUCCINATORE INSERT SPRING RYL			
44	17000402	GREY RIGHT CAPPUCCINATORE INSERT RYL			
45	421941278272	BLK LOWER CAPPUCCINATORE LID V2 RYL			
46	421941260042	BLK CAPPUCCINATORE S/SCR.V2 RYLO ASSY			
47	421944059361	MILK INTAKE+OUTLET CONNECT.RYL V2			
48	17001362	BLK MILK INTAKE TUBE CONNECT.INS.V2 RYL			
49	11029672	SILICONE TUBE 3,5X6 L=500 MM			



Pos	Article-Nr.	Description
1	11030101	CRC COFFEE DISPENSER RYL ASSY.
2	11030104	CRC FRONT COF.DISP.COVER RYL/T ASSY.
3	9161.111	MAGNET FOR FLOAT SUPERAUT.
4	12000895	SCREW TSP TORX 10 3X10 PLAST.SS
5	17000248	BLACK REAR COVER COFFEE DISPENSER RYL
6	17000251	BLACK INNER BODY COFFEE DISPENS.RYL
7	11030102	CRC FRONT COF.DISPENSER COVER RYL
8	11013085	WHITE COFFEE DISPENSER SLIDER MYB9
9	17000246	BLACK EXT.MOBILE PART COF.DISPENSER RYL
10	17002197	BLACK CAPPUCIN/STEAM TUBE CONNECT.V4 RYL
11	NF11.052	OETIKER CLIP
12	11027788	PINK 5X8,9 SILICONE TUBE L=2000MM
13	11007493	T CONNECTOR FOR BOILER P604
14	12000450	SCREW TCBR TORX 10 3,5X12 PLAST.ZN-N
15	184320200	SPRING HOSE CLAMP D=9,5MM
16	20007031	BLK CAPPUC.OUTPUT STEAM CONNECT.KIT RYL
17	11014016	SS.INSERT FOR MAGNET MYB9
18	17004039	BLK WAT.-COFF.DISP. INLET CONNec.RYLO KR
19	17000616	BLACK COFFEE DISPENSER TUBE RYL
20	17000337	BLACK SEAL FOR COFFEE DISPENSER RYL
21	17000257	BLACK.COFFEE DISPENSER SUPPORT RYL
22	17004047	BLK COF.DISPENS.SUPP. RYLO ASSY. KR
23	17000348	BLK CAPPUCCINATORE BOARD SUPP.COVER RYL
24	11025772	CAPPUCCINATORE BOARD RYL
25	17000019	SS CARAFE MICRO INSERT SPRING MYB9
26	17000421	BLACK CAPPUCCINATORE PRESENCE INSERT RYL
27	17000339	BLACK CAPPUCCINATORE BOARD SUPPORT RYL
28	17000389	GREY LEFT CAPPUCCINATORE INSERT RYL
29	17004098	BLK UPPER CAPPUC.LID LASER.RYL
30	17000785	BLACK CAPPUC.INPUT MILK CONNECTOR RYL
31	NM01.028	O-RING 106 SILICONE
32	17000338	BLACK LEFT ENTRY CAPPUCCINAT.CASING RYL
33	17000382	SS CAPPUCCINATORE INSERT SPRING RYL
34	17000402	GREY RIGHT CAPPUCCINATORE INSERT RYL
35	421941278272	BLK LOWER CAPPUCCINATORE LID V2 RYL
36	421941260042	BLK CAPPUCCINATORE S/SCR.V2 RYLO ASSY
37	421944059361	MILK INTAKE+OUTLET CONNECT.RYL V2
38	17001362	BLK MILK INTAKE TUBE CONNECT.INS.V2 RYL
39	11029672	SILICONE TUBE 3,5X6 L=500 MM
40	421946032811	KIT BLK CAPPUCCINATORE RYLO

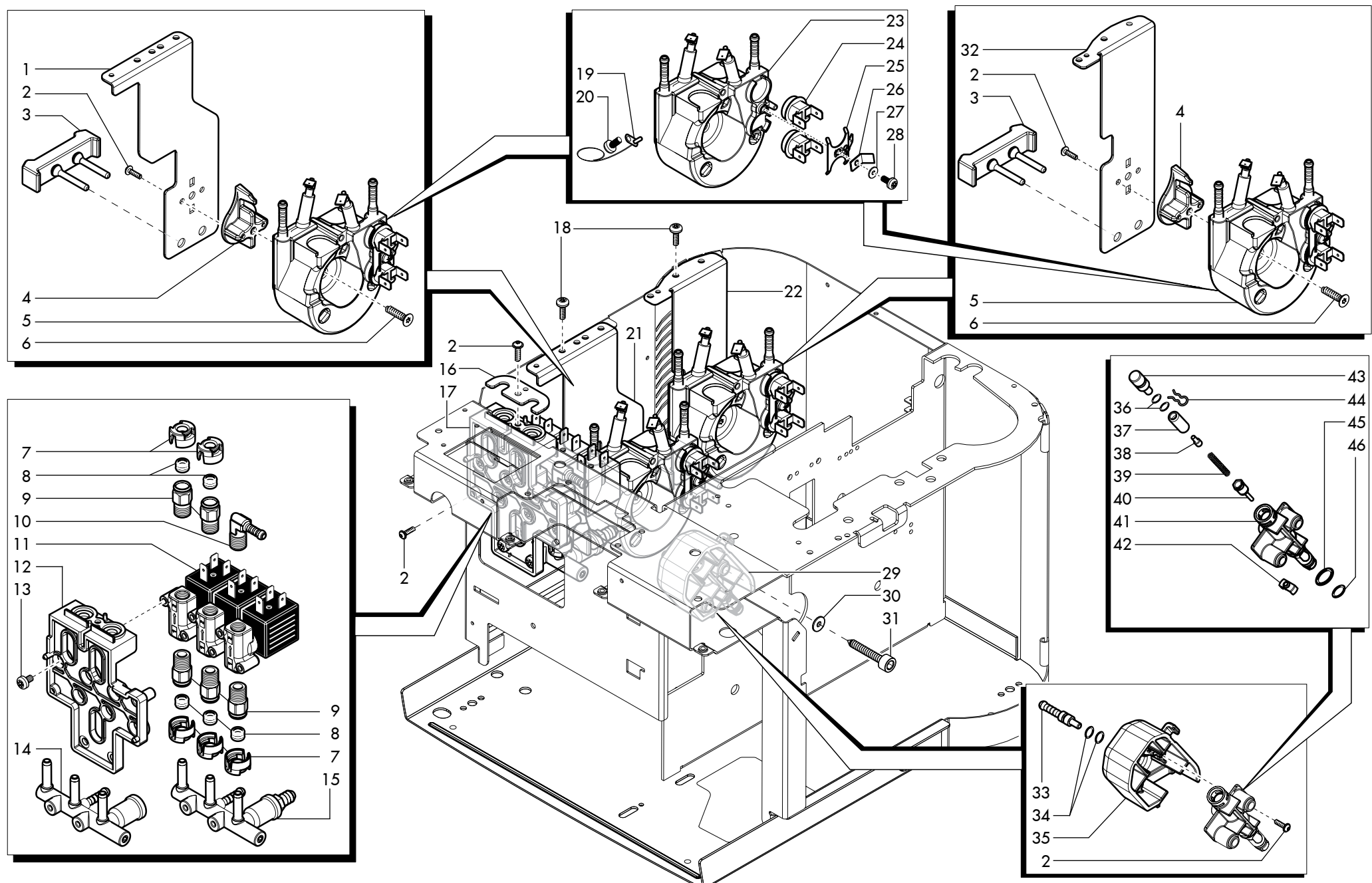
Pos	Article-Nr.	Description
-----	-------------	-------------



E74230**SUP040R, SUP040RB**

Pos	Article-Nr.	Description
1	11034737	ELECTR.PARTS 120V V2 RYLO ASSY
1	11034803	ELECTR.PARTS 120V V2 RYLO ASSY UL
1	17004050	
1	421941259762	
2	17004213	
2	11035133	CRC LEFT UPP.COV.PAINT.SER.LAS.RYLO/T K
3	11035132	CRC LEFT LOW.COV.PAINT.SER.LAS.RYLO/T K
3	17004212	
4	17004215	
4	11035131	CRC RIGHT UPP.COV.PAINT.SER.LAS.RYLO/T K
5	11035130	CRC RIGHT LOW.COV.PAINT.SER.LAS.RYLO/T K
5	17004214	
6	17000269	TRANSP.GLASS FOR DISPLAY RYL
7	17000259	BLACK DISPLAY INSERT RYL
8	129914002	SCREW TCB TORX 10 3,5X16 PLAST.ZN-B
9	129913202	SCREW TCB TORX 10 3X8 PLAST.ZN-B
10	17004053	CPU+SW ASSY. RYLO V2 KR
10	421941309281	CPU+SW AULIKA V2 ASSY.
11	17000485	TRANSP.LEFT TOUCH PANEL RYLO
12	17000831	BLACK LEFT TOUCH PANEL SUPPORT RYLO
13	17000830	BLACK RIGHT TOUCH PANEL SUPPORT RYLO
14	12001779	WHITE DISPLAY 160x80 0355DP RYL
15	17000271	BLACK DISPLAY SEAL RYL
16	421946000581	14P.FLAT CABLE CPU-PWR V2 RYL
17	11034620	PWR BOARD AULIKA V2 B2B 120V
17	421941307761	PWR BOARD RYL/RYLO V2 230V
18	11028842	BLACK PWR BOARD SUPPORT RYL UL
18	17000275	BLACK PWR BOARD SUPPORT RYL
19	17800442	2POLES CONNECT.SENSOR REED DUMP BOX CST
20	17001152	POWER BOARD PROTECTION RYL
20	11028843	POWER BOARD PROTECTION RYL UL
21	421941277592	BLK CPU BOARD SUPPORT V2 RYL
22	17000484	TRANSP.RIGHT TOUCH PANEL RYLO
23	12000450	SCREW TCB TORX 10 3,5X12 PLAST.ZN-N
24	17000277	BLACK CPU-PWR BOARDS COVER RYL

Pos	Article-Nr.	Description
-----	-------------	-------------



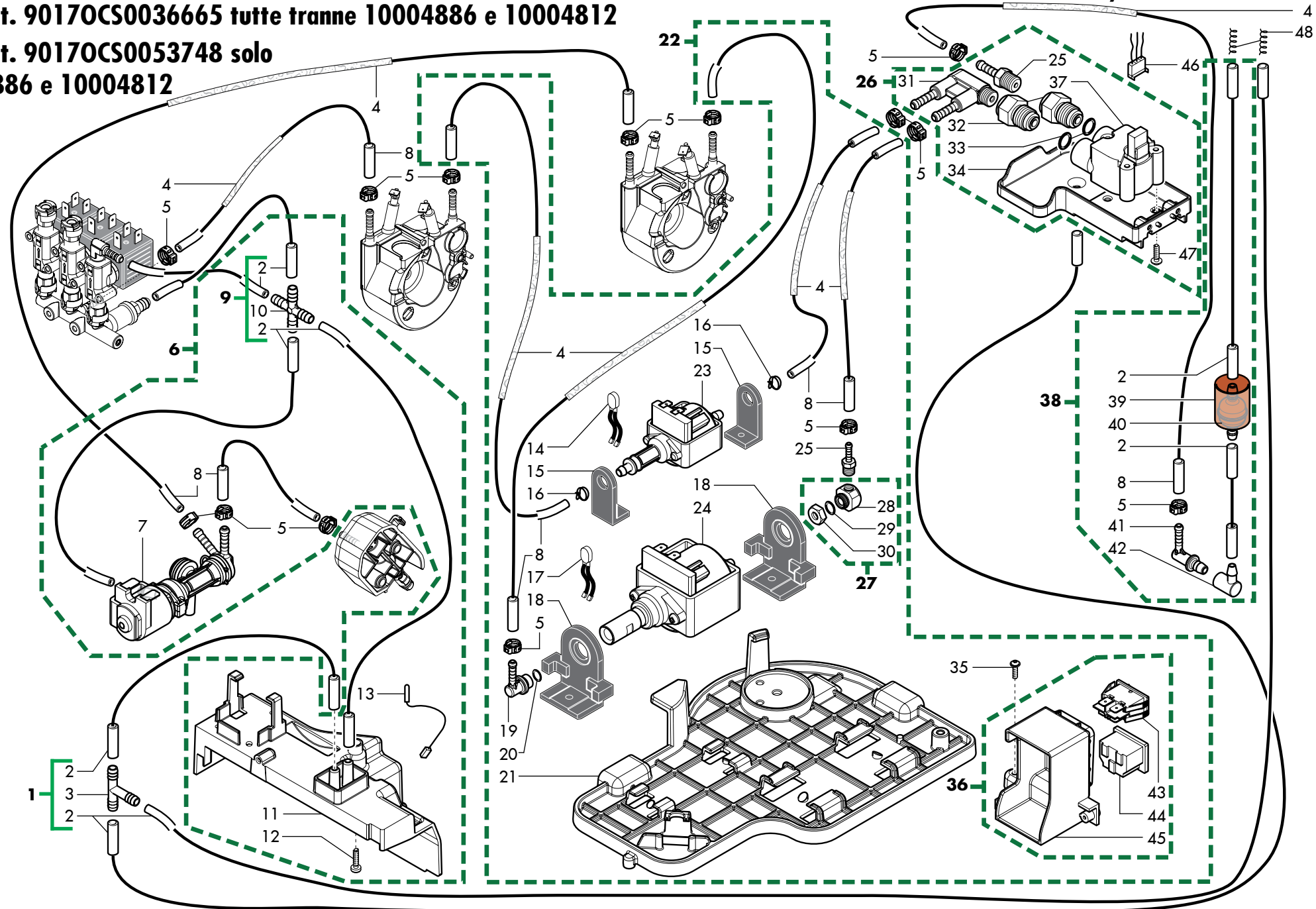
E74230

SUP040R, SUP040RB

Pos	Article-Nr.	Description	Pos	Article-Nr.	Description
1	17004031	STEAM TUBOL.BOILER SUPP.RYLO V2 KR	45	NM01.035	OR ORM 0090-20 SILICONE
1	421941276892	STEEL STEAM TUBOL.BOILER SUPPORT V2 RYL	46	NM01.057	OR ORM 0050-20 IN SILICONE
2	12000450	SCREW TCBR TORX 10 3,5X12 PLAST.ZN-N			
3	17000471	BLACK BOILER ANTIVIBRATION RYL			
4	421944057621	NEU SLIM TUB.BOILERS SUPPORT V2 MYB9			
5	421941229822	SLIM T.CHAUD.V2 C2 T190-190 1300W 230 AS			
5	11034740	SLIM TUB.BOIL.T190°-190°1300W 120V TW AS			
6	12001280	SCREW TSP TORX 10 5X20 PLAST.ZN-B			
7	17001178	BLK EV 1/8"GAS.CONNECTOR V2 INSERT RYL			
8	17001909	RED EV CONNECTOR 1/8"GAS SEAL V2 RYL			
9	11027334	TEA/BRASS ELECTROV.CONNECT1/8"GAS V2 RYL			
10	11013835	TEA/BRASS CONNECTOR FOR BOILER AURA			
11	17001262	LFBRASS 2W.EV 21JN1RRV20-X005+LBV05024CU			
12	17000168	BLACK ELECTROV/CONNECTOR SUPP.RYL			
13	U043.012	SCREW TCB TORX 20 M4X6 ZN-B			
14	17004101	PLUG. TEA/BRASS 4 WAYS CONNECT ASSY			
15	17001908	BRASS 4WAYS CONNECT+SAFETY VALVE V3 RYL			
16	17000428	STEEL CONNECTORS FIXING PLATE RYL			
17	11031414	TEA/BRASS ELECTROV.V3 24V RYL/T ASSY.			
17	17004115	TEA/BRASS ELECTROV.V4 24V RYL/T ASSY.			
18	12001622	SCREW TCB TORX B 3,5X9,5 SCHEET NIK			
19	190800100	TEMPERATURE SENSOR NTC UL L=280MM			
20	129573402	SCREW TAPT M4X10 DIN 7985 GALV			
21	17004043				
21	11034738	STEAM TUB.BOILER V2 RYL 120V ASSY			
21	421941227702	STEAM TUB.BOILER V2 RYL 230V ASSY			
22	421941227692	COFFEE TUB.BOILER 230V V2 RYL/T ASSY			
22	11034739	COFFEE TUB.BOILER 120V V2 RYL/T ASSY			
23	421944024121	TUB.BOILER XS4 1300W 230V ASSY.			
23	421944046121	TUB.BOILER XS4 1300W 120V ASSY.			
24	12001033	THERMOSTAT ONE SHOT 190°			
25	11001751	TUB.BOILER V3 UPPER THERM.FIXING SPRING			
26	124390520	BRASS BENT FASTON 45° 6,3X0,8			
27	128310402	GALV.WASHER UNI 8842 A4			
28	12001715	SCREW TCB TORX 20 M4X8 AUTOFORMING ZN-B			
29	11025744	TEA/BRASS HOT WATER PIN RYL ASSY.			
30	128310521	WASHER UNI 8842 A5 SS			
31	11003555	GALVANIZED SELF-TAPPING SCREW 4,8X32			
32	17000163	STEEL COFFEE TUBOL.BOILER SUPPORT RYL/T			
33	11000750	TEA/BRASS CONNECTOR FOR SILICONE TUBE			
34	140328059	OR 2015 SILICONE PTFE/FDA			
35	17000156	BLACK HOT WATER PIN SUPPORT RYL			
36	140326662	OR ORM 0040-20 SILICONE			
37	11009012	TEA/BRASS BOILER PIN BUSH			
38	11009013	TEA/BRASS PIN FOR PISTON L=10			
39	9011.132	SS SPRING FOR PIN			
40	11009019	TEA/BRASS PISTON L=20,9 ASSY.			
41	9161.434	HOT WATER PIN			
42	11005099	NATURAL CURSOR V2 FOR BOILER P119			
43	11026413	TEA/BRASS HOT WATER PIN PLUG RYL			
44	9011.144	SS FORK FOR TUBE D=4			

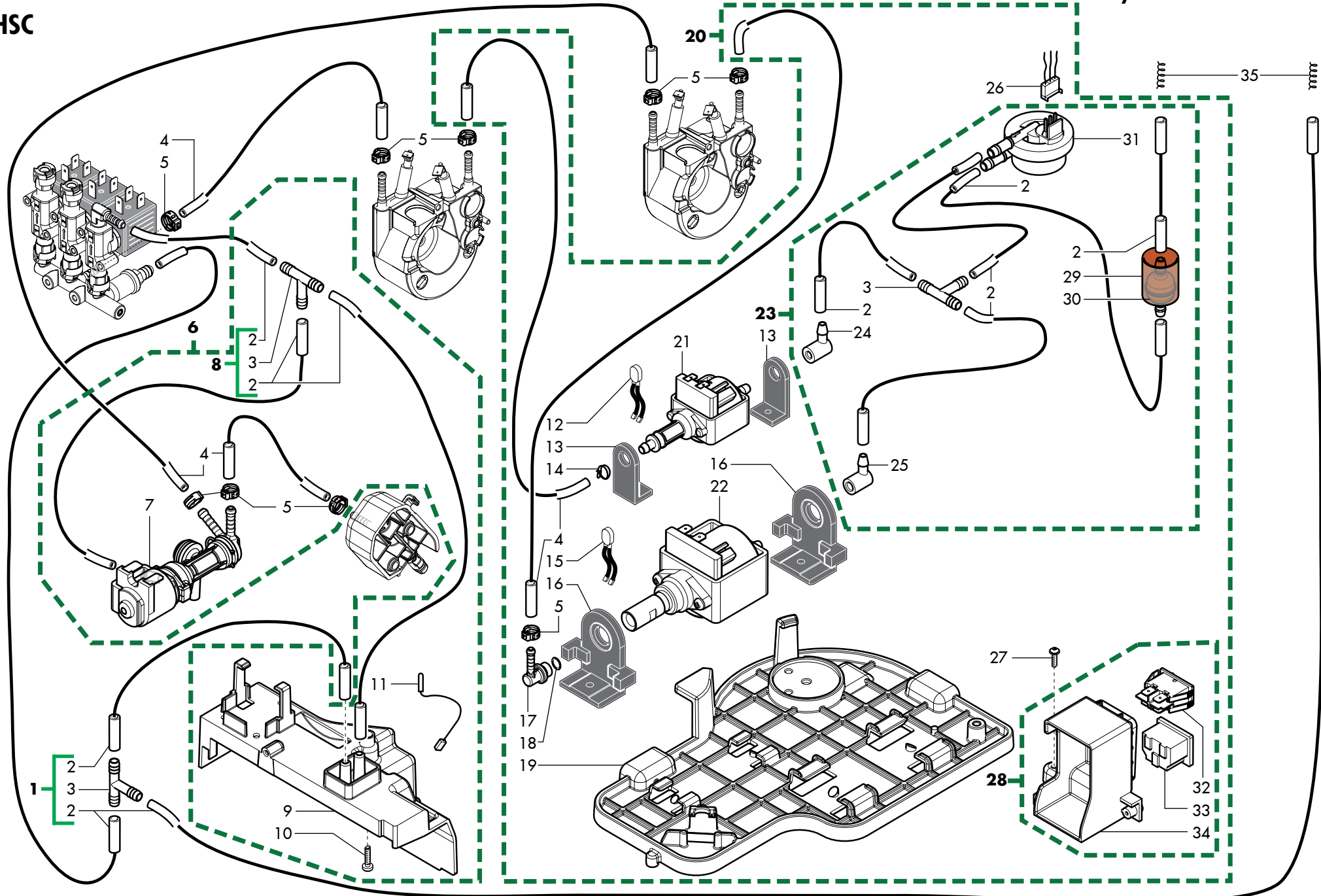
Fino mat. 90170CS0036665 tutte tranne 10004886 e 10004812

Fino mat. 90170CS0053748 solo
10004886 e 10004812



E74230**SUP040R, SUP040RB**

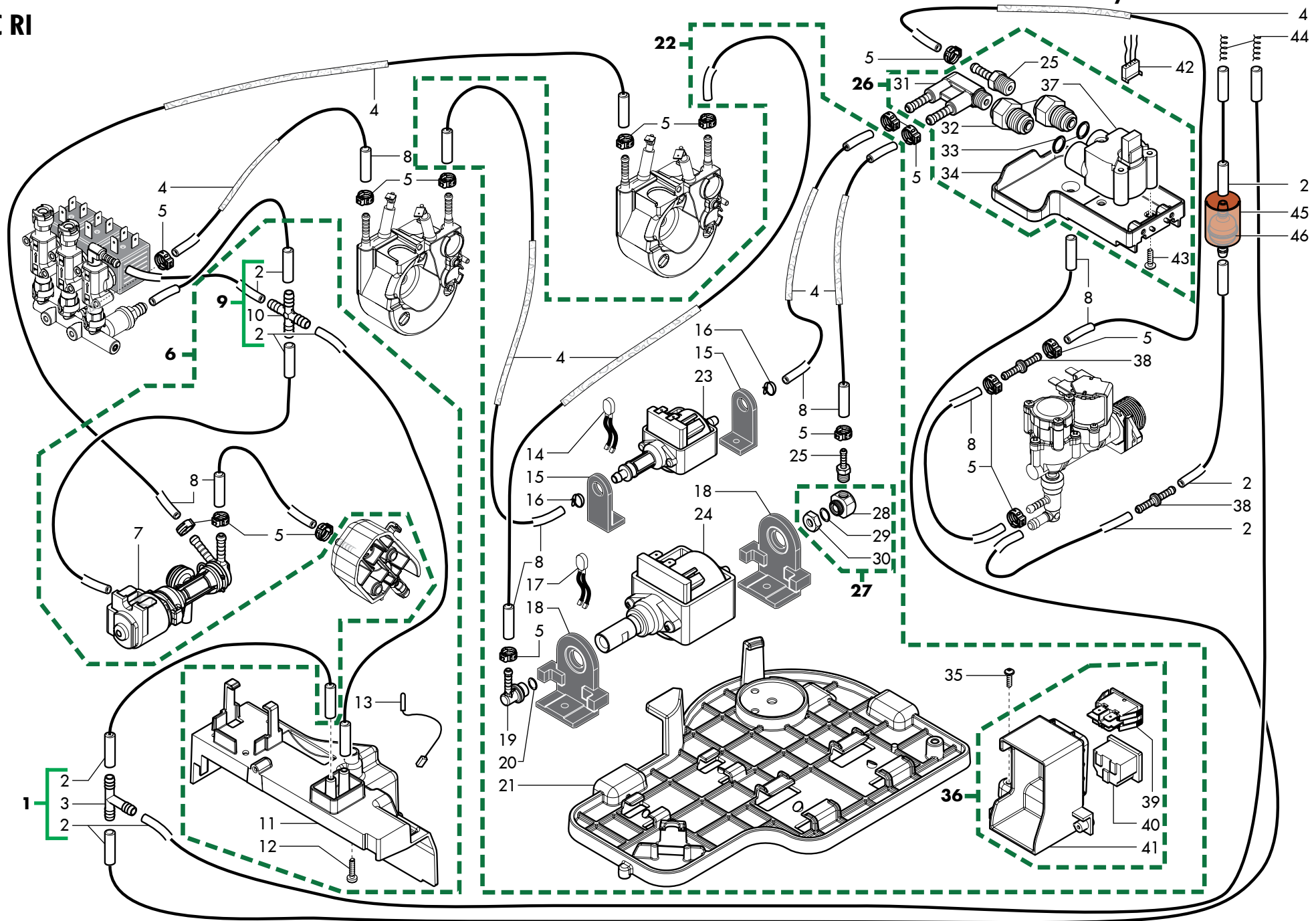
Pos	Article-Nr.	Description	Pos	Article-Nr.	Description
1	11029674				
2	11035450	SILICONE TUBE 5X10 L.2000MM			
3	147920300	TRANS.CONNECTOR D=8 ART.80.26.047 KA.461			
4	11032467	SILICONE TUBE 11X12,8 L.2000 MM			
5	12000892	OETIKER CLAMP D=9,5 16700004			
6	11030199				
7	11025742	BLOWDOWN VALVE V3 RYL 230V ASSY.			
8	11027788	PINK 5X8,9 SILICONE TUBE L=2000MM			
9	11030213				
10	12001812	TRANSP.CROSS CONNECTOR D=8 RYLO			
11	17000165	BLACK DRIP TRAY PROTECTION RYL			
12	129913902	SCREW TCB TORX 10 3X12 PLAST.ZN-B			
13	17800442	2POLES CONNECT.SENSOR REED DUMP BOX CST			
14	17800203	2POLES CONNECTOR STEAM PUMP RYL UL			
15	11029554	BLACK/SBD ULKA MF PUMP SUPPORT			
16	184320200	SPRING HOSE CLAMP D=9,5MM			
17	17800202	2POLES CONNECTOR COFFEE PUMP RYL UL			
18	11022857	BLACK PUMP SUPPORT GMYB			
19	11001054	BLK PUMP OUTLET 90°CONNECTOR P0049/B			
20	140321961	O-RING 2031 TERMOIL			
21	17000973	BLACK COMPONENTS SUPPORT RYLO			
22	421944023731				
23	12001212	ULKA PUMP MF 230V-50HZ			
24	421941305991	ULKA PUMP EP5FMGW 230V-50HZ			
25	11006304	TEA/BRASS CONNECTOR FOR ALUM.BOILER			
26	11025871				
27	9079.A37	REAR CONN. ASS. M5 FOR ULKA PUMP			
28	9181.350	TEA/BRASS REAR CONNECTOR 1/8" ULKA PUMP			
29	NM03.017	O-RING R6 NBR			
30	9071.054	BRASS NUT FOR ULKA PUMP REAR CONNECTOR			
31	11010243	TEA/BRASS 90° DOUBLE CONNECTOR			
32	9181.406	TEA/BRASS CONNECTOR TURBINE MF 1/4 1/8			
33	NM01.049	OR ORM 0070-20 SILICONE			
34	17000821	BLACK TURBINE SUPPORT RYLO			
35	12000450	SCREW TCBR TORX 10 3,5X12 PLAST.ZN-N			
36	421941294291				
37	NV99.033	DIGMESA TURBINE IN PLASTIC 937-1512/F09			
38	11029900				
39	147756562	BLK PROTECTION FOR FOLK SPRING TUBE D=4			
40	12001595	TRANSP/WHITE ASPIRATION FILTER MDS			
41	17001358	BLK WATER CONT/FLOWMETER 90°CONNECT.RYLO			
42	147920150	90° INLET PUMP CONNECTOR			
43	NE03.038	BIPOLAR SWITCH FUSIT C1250AR			
44	12001883	CUP SOCKET V3 EN 60320 C 13			
45	17000162	BLACK SOCKET-SWITCH SUPPORT RYL			
46	421946001561	6P.CONN.FLOWMETER V2 RYLO UL ASSY.			
47	129912104	SCREW TCBR TORX 20 4X10 PLAST.ZN-N			
48	0701.081	SPRING FOR TUBE PRODUCT 1			



E74230**SUP040R, SUP040RB**

Pos	Article-Nr.	Description	Pos	Article-Nr.	Description
1	11027095	WATER CONTAINER/EV DRAIN TUBES RYL ASSY.			
2	11035450	SILICONE TUBE 5X10 L.2000MM			
3	147920300	TRANS.CONNECTOR D=8 ART.80.26.047 KA.461			
4	11027788	PINK 5X8,9 SILICONE TUBE L=2000MM			
5	12000892	OETIKER CLAMP D=9,5 16700004			
6	11028149				
6	11028186	120V/BLK PROT+BLOWDOWN VALVE RYL/T ASSY.			
6	11025743				
7	11025742	BLOWDOWN VALVE V3 RYL 230V ASSY.			
7	11028187	BLOWDOWN VALVE V3 RYL 120V ASSY.			
7	11028161	BLOWDOWN VALVE V3 RYL 220V-60HZ ASSY.			
8	11025741				
9	17000165	BLACK DRIP TRAY PROTECTION RYL			
10	129913902	SCREW TCB TORX 10 3X12 PLAST.ZN-B			
11	17800442	2POLES CONNECT.SENSOR REED DUMP BOX CST			
12	17800203	2POLES CONNECTOR STEAM PUMP RYL UL			
13	11029554	BLACK/SBD ULKA MF PUMP SUPPORT			
14	184320200	SPRING HOSE CLAMP D=9,5MM			
15	17800202	2POLES CONNECTOR COFFEE PUMP RYL UL			
16	11022857	BLACK PUMP SUPPORT GMYB			
17	11001054	BLK PUMP OUTLET 90°CONNECTOR P0049/B			
18	140321961	O-RING 2031 TERMOIL			
19	17000160	BLACK COMPONENTS SUPPORT RYL			
20	11028608				
20	11028609	COMPONENTS SUPP.120V RYL/T ASSY.			
20	421944023721				
21	12001212	ULKA PUMP MF 230V-50HZ			
21	12001346	ULKA PUMP MF 120V-60HZ			
21	12001348	ULKA PUMP MF 220V-50/60HZ			
22	12000131	ULKA PUMP EP5/S 120V-60HZ			
22	12000182	ULKA PUMP EP5/S GW 220V-60HZ			
22	421941305991	ULKA PUMP EP5FMGW 230V-50HZ			
23	11025709				
24	11012193	90° INLET CONNECTOR FOR PUMP ULKA MF			
25	147920150	90° INLET PUMP CONNECTOR			
26	421946001551	6P.CONN.FLOWMETER V3 RYL UL ASSY.			
27	12000450	SCREW TCB TORX 10 3,5X12 PLAST.ZN-N			
28	421941294291				
28	17800455				
29	147756562	BLK PROTECTION FOR FOLK SPRING TUBE D=4			
30	12001595	TRANSP/WHITE ASPIRATION FILTER MDS			
31	NV99.099	TURBINE D=1,2 932-9521/B ASSY.			
32	NE03.038	BIPOLAR SWITCH FUSIT C1250AR			
33	12001883	CUP SOCKET V3 EN 60320 C 13			
34	17000162	BLACK SOCKET-SWITCH SUPPORT RYL			
34	11028204	BLACK SOCKET-SWITCH SUPPORT RYL UL			
35	0701.081	SPRING FOR TUBE PRODUCT 1			

HSC RI

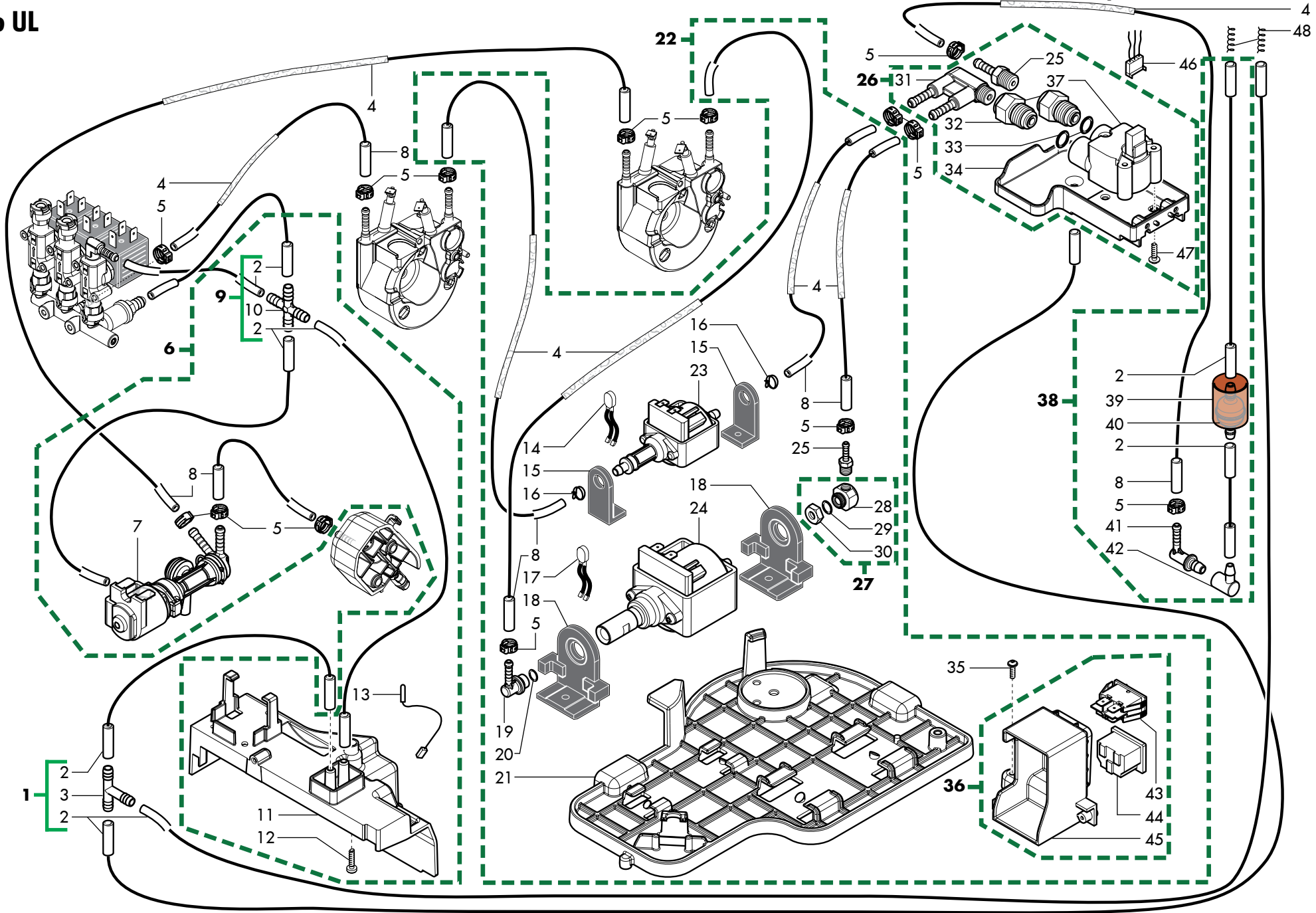


E74230**SUP040R, SUP040RB**

Pos	Article-Nr.	Description
1	11029674	
2	11035450	SILICONE TUBE 5X10 L.2000MM
3	147920300	TRANS.CONNECTOR D=8 ART.80.26.047 KA.461
4	11032467	SILICONE TUBE 11X12,8 L.2000 MM
5	12000892	OETIKER CLAMP D=9,5 16700004
6	11030199	
7	11025742	BLOWDOWN VALVE V3 RYL 230V ASSY.
8	11027788	PINK 5X8,9 SILICONE TUBE L=2000MM
9	11030213	
10	12001812	TRANSP.CROSS CONNECTOR D=8 RYLO
11	17000165	BLACK DRIP TRAY PROTECTION RYL
12	129913902	SCREW TCB TORX 10 3X12 PLAST.ZN-B
13	17800442	2POLES CONNECT.SENSOR REED DUMP BOX CST
14	17800203	2POLES CONNECTOR STEAM PUMP RYL UL
15	11029554	BLACK/SBD ULKA MF PUMP SUPPORT
16	184320200	SPRING HOSE CLAMP D=9,5MM
17	17800202	2POLES CONNECTOR COFFEE PUMP RYL UL
18	11022857	BLACK PUMP SUPPORT GMYB
19	11001054	BLK PUMP OUTLET 90°CONNECTOR P0049/B
20	140321961	O-RING 2031 TERMOIL
21	17000973	BLACK COMPONENTS SUPPORT RYLO
22	421944023731	
23	12001212	ULKA PUMP MF 230V-50HZ
24	421941305991	ULKA PUMP EP5FMGW 230V-50HZ
25	11006304	TEA/BRASS CONNECTOR FOR ALUM.BOILER
26	11025871	
27	9079.A37	REAR CONN. ASS. M5 FOR ULKA PUMP
28	9181.350	TEA/BRASS REAR CONNECTOR 1/8" ULKA PUMP
29	NM03.017	O-RING R6 NBR
30	9071.054	BRASS NUT FOR ULKA PUMP REAR CONNECTOR
31	11010243	TEA/BRASS 90° DOUBLE CONNECTOR
32	9181.406	TEA/BRASS CONNECTOR TURBINE MF 1/4 1/8
33	NM01.049	OR ORM 0070-20 SILICONE
34	17000821	BLACK TURBINE SUPPORT RYLO
35	12000450	SCREW TCBR TORX 10 3,5X12 PLAST.ZN-N
36	421941294291	
37	NV99.033	DIGMESA TURBINE IN PLASTIC 937-1512/F09
38	17001018	BLACK WATER SUPPLY CONNECTOR RYLO RI
39	NE03.038	BIPOLAR SWITCH FUSIT C1250AR
40	12001883	CUP SOCKET V3 EN 60320 C 13
41	17000162	BLACK SOCKET-SWITCH SUPPORT RYL
42	421946001561	6P.CONN.FLOWMETER V2 RYLO UL ASSY.
43	129912104	SCREW TCBR TORX 20 4X10 PLAST.ZN-N
44	0701.081	SPRING FOR TUBE PRODUCT 1
45	147756562	BLK PROTECTION FOR FOLK SPRING TUBE D=4
46	12001595	TRANSP/WHITE ASPIRATION FILTER MDS

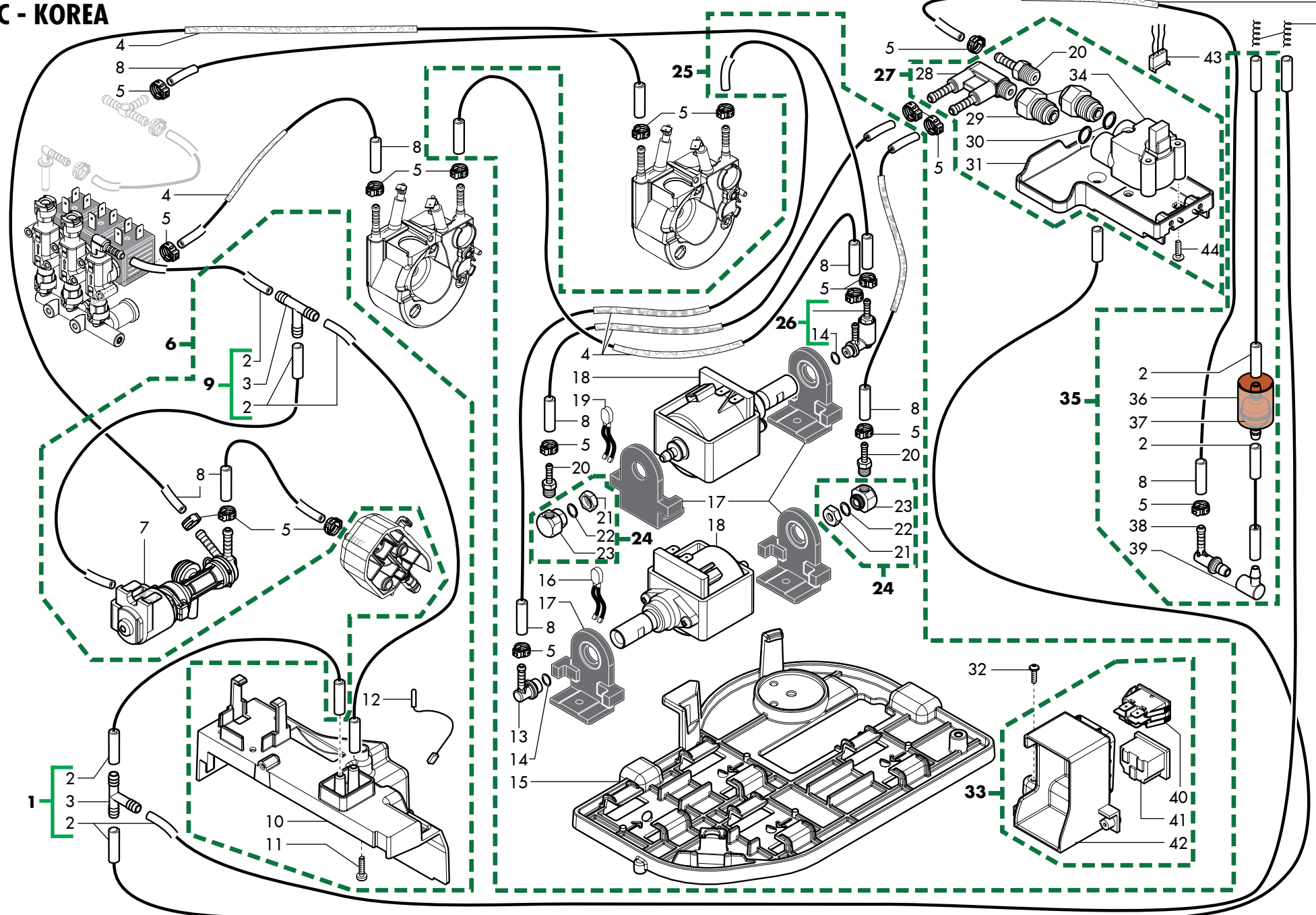
Pos	Article-Nr.	Description
-----	-------------	-------------

Solo UL



E74230**SUP040R, SUP040RB**

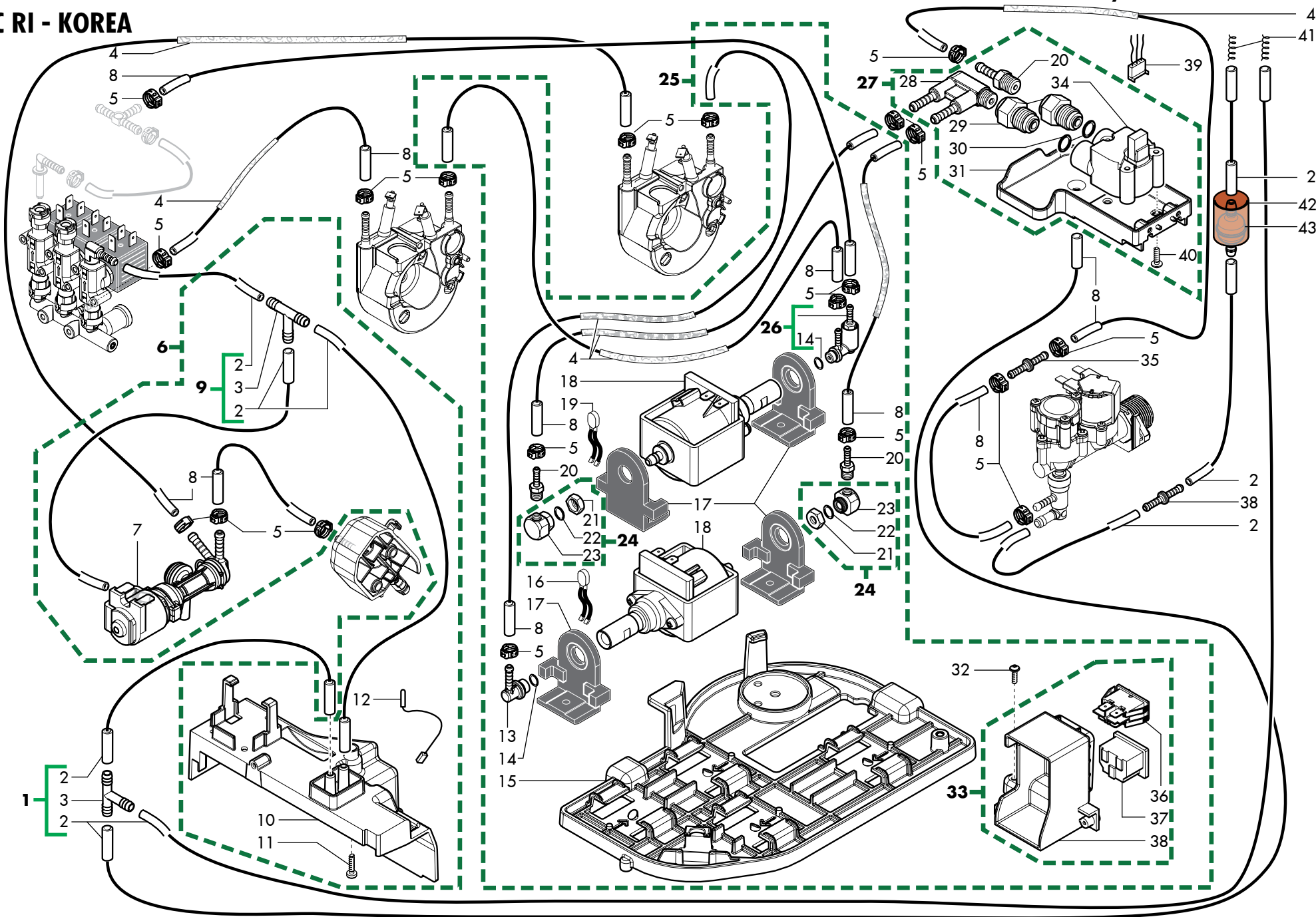
Pos	Article-Nr.	Description	Pos	Article-Nr.	Description
1	11029674				
2	11035450	SILICONE TUBE 5X10 L.2000MM			
3	147920300	TRANS.CONNECTOR D=8 ART.80.26.047 KA.461			
4	11032467	SILICONE TUBE 11X12,8 L.2000 MM			
5	12000892	OETIKER CLAMP D=9,5 16700004			
6	421941304711				
7	11028187	BLOWDOWN VALVE V3 RYL 120V ASSY.			
8	11027788	PINK 5X8,9 SILICONE TUBE L=2000MM			
9	11030213				
10	12001812	TRANSP.CROSS CONNECTOR D=8 RYLO			
11	17000165	BLACK DRIP TRAY PROTECTION RYL			
12	129913902	SCREW TCB TORX 10 3X12 PLAST.ZN-B			
13	17800442	2POLES CONNECT.SENSOR REED DUMP BOX CST			
14	17800203	2POLES CONNECTOR STEAM PUMP RYL UL			
15	11029554	BLACK/SBD ULKA MF PUMP SUPPORT			
16	184320200	SPRING HOSE CLAMP D=9,5MM			
17	17800202	2POLES CONNECTOR COFFEE PUMP RYL UL			
18	11022857	BLACK PUMP SUPPORT GMYB			
19	11001054	BLK PUMP OUTLET 90°CONNECTOR P0049/B			
20	140321961	O-RING 2031 TERMOIL			
21	17000973	BLACK COMPONENTS SUPPORT RYLO			
22	421941304721				
23	12001346	ULKA PUMP MF 120V-60HZ			
24	12000131	ULKA PUMP EP5/S 120V-60HZ			
25	11006304	TEA/BRASS CONNECTOR FOR ALUM.BOILER			
26	11025871				
27	9079.A37	REAR CONN. ASS. M5 FOR ULKA PUMP			
28	9181.350	TEA/BRASS REAR CONNECTOR 1/8" ULKA PUMP			
29	NM03.017	O-RING R6 NBR			
30	9071.054	BRASS NUT FOR ULKA PUMP REAR CONNECTOR			
31	11010243	TEA/BRASS 90° DOUBLE CONNECTOR			
32	9181.406	TEA/BRASS CONNECTOR TURBINE MF 1/4 1/8			
33	NM01.049	OR ORM 0070-20 SILICONE			
34	17000821	BLACK TURBINE SUPPORT RYLO			
35	12000450	SCREW TCBR TORX 10 3,5X12 PLAST.ZN-N			
36	17800455				
37	NV99.033	DIGMESA TURBINE IN PLASTIC 937-1512/F09			
38	11029900				
39	147756562	BLK PROTECTION FOR FOLK SPRING TUBE D=4			
40	12001595	TRANSP/WHITE ASPIRATION FILTER MDS			
41	17001358	BLK WATER CONT/FLOWMETER 90°CONNECT.RYLO			
42	147920150	90° INLET PUMP CONNECTOR			
43	NE03.038	BIPOLAR SWITCH FUSIT C1250AR			
44	12001883	CUP SOCKET V3 EN 60320 C 13			
45	11028204	BLACK SOCKET-SWITCH SUPPORT RYL UL			
46	421946001561	6P.CONN.FLOWMETER V2 RYLO UL ASSY.			
47	129912104	SCREW TCBR TORX 20 4X10 PLAST.ZN-N			
48	0701.081	SPRING FOR TUBE PRODUCT 1			



E74230**SUP040R, SUP040RB**

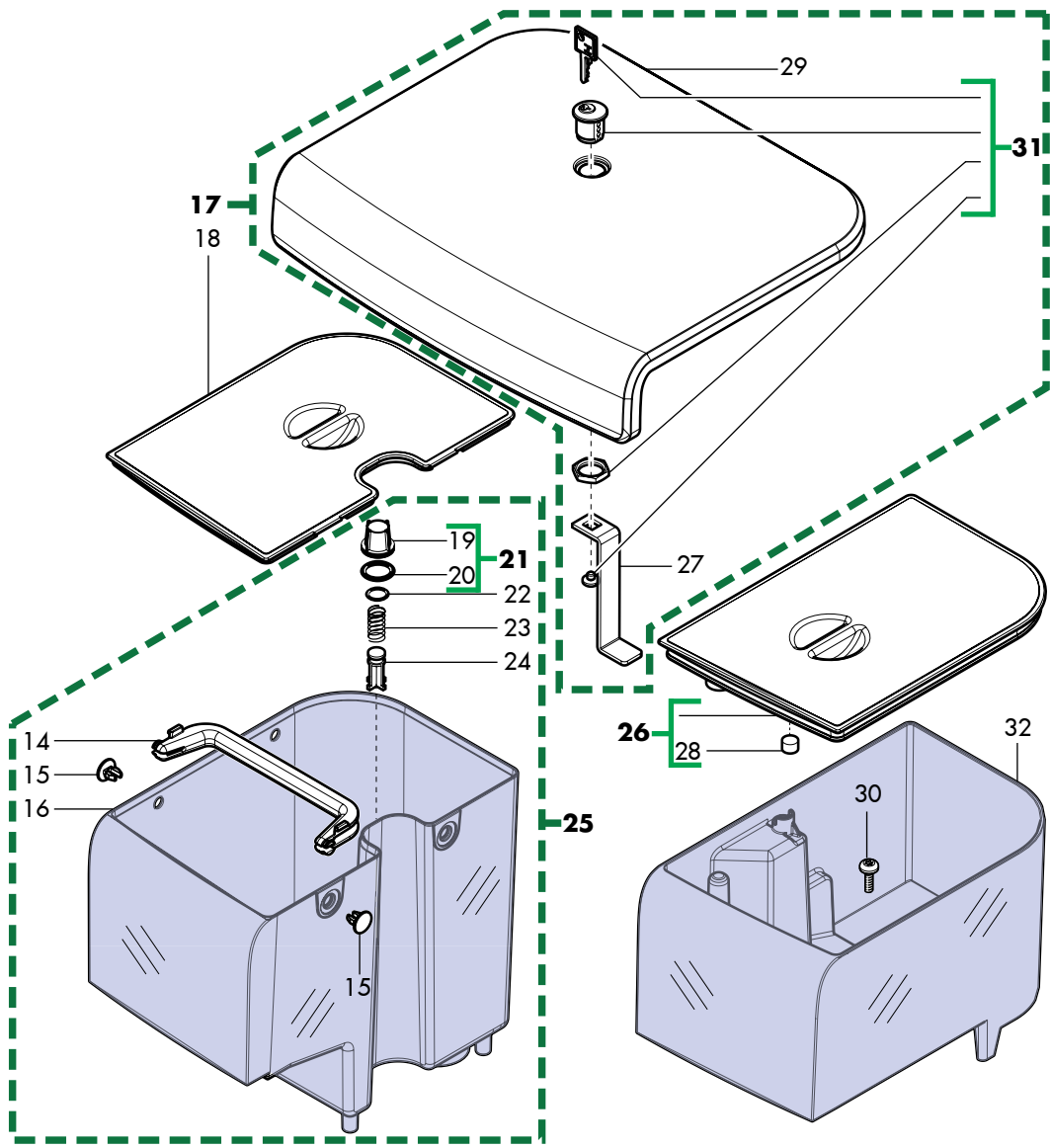
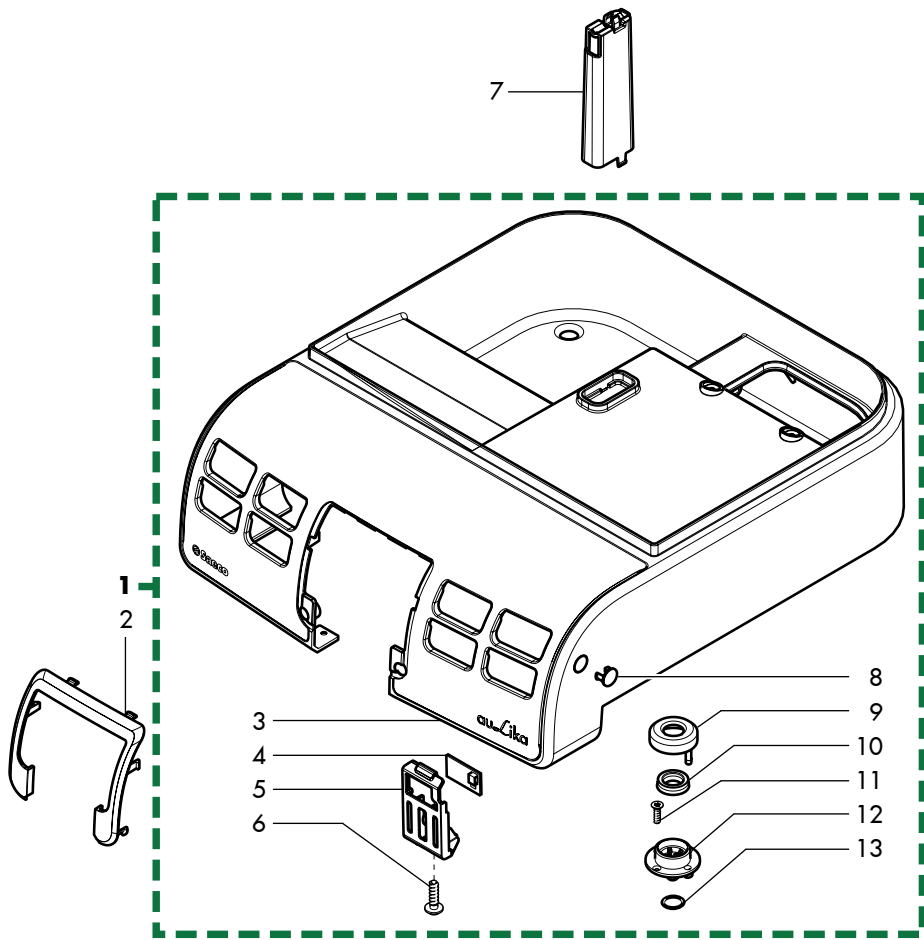
Pos	Article-Nr.	Description	Pos	Article-Nr.	Description
1	11029674				
2	11035450	SILICONE TUBE 5X10 L.2000MM			
3	147920300	TRANS.CONNECTOR D=8 ART.80.26.047 KA.461			
4	11032467	SILICONE TUBE 11X12,8 L.2000 MM			
5	12000892	OETIKER CLAMP D=9,5 16700004			
6	17004117	220V/BLK PROT+BLOWDOWN VALVE RYLO K AS.			
7	11028161	BLOWDOWN VALVE V3 RYL 220V-60HZ ASSY.			
8	11027788	PINK 5X8,9 SILICONE TUBE L=2000MM			
9	17004116	SAFETY VALVE/EV DRAIN TUBES RYLO K ASSY.			
10	17000165	BLACK DRIP TRAY PROTECTION RYL			
11	129913902	SCREW TCB TORX 10 3X12 PLAST.ZN-B			
12	17800442	2POLES CONNECT.SENSOR REED DUMP BOX CST			
13	11001054	BLK PUMP OUTLET 90°CONNECTOR P0049/B			
14	140321961	O-RING 2031 TERMOIL			
15	17004032	BLK COMPONENTS SUPPORT RYLO V2 KR			
16	17800202	2POLES CONNECTOR COFFEE PUMP RYL UL			
17	11022857	BLACK PUMP SUPPORT GMYB			
18	12000182	ULKA PUMP EP5/S GW 220V-60HZ			
19	17004120	2P.CONN.STEAM PUMP V2 RYL UL ASSY.			
20	11006304	TEA/BRASS CONNECTOR FOR ALUM.BOILER			
21	9181.350	TEA/BRASS REAR CONNECTOR 1/8" ULKA PUMP			
22	NM03.017	O-RING R6 NBR			
23	9071.054	BRASS NUT FOR ULKA PUMP REAR CONNECTOR			
24	9079.A37	REAR CONN. ASS. M5 FOR ULKA PUMP			
25	17004040				
26	17004041				
27	11025871				
28	11010243	TEA/BRASS 90° DOUBLE CONNECTOR			
29	9181.406	TEA/BRASS CONNECTOR TURBINE MF 1/4 1/8			
30	NM01.049	OR ORM 0070-20 SILICONE			
31	17000821	BLACK TURBINE SUPPORT RYLO			
32	12000450	SCREW TCB TORX 10 3,5X12 PLAST.ZN-N			
33	421941294291				
34	NV99.033	DIGMESA TURBINE IN PLASTIC 937-1512/F09			
35	11029900				
36	147756562	BLK PROTECTION FOR FOLK SPRING TUBE D=4			
37	12001595	TRANSP/WHITE ASPIRATION FILTER MDS			
38	17001358	BLK WATER CONT/FLOWMETER 90°CONNECT.RYLO			
39	147920150	90° INLET PUMP CONNECTOR			
40	NE03.038	BIPOLAR SWITCH FUSIT C1250AR			
41	12001883	CUP SOCKET V3 EN 60320 C 13			
42	17000162	BLACK SOCKET-SWITCH SUPPORT RYL			
43	421946001561	6P.CONN.FLOWMETER V2 RYLO UL ASSY.			
44	129912104	SCREW TCB TORX 20 4X10 PLAST.ZN-N			
45	0701.081	SPRING FOR TUBE PRODUCT 1			

HSC RI - KOREA



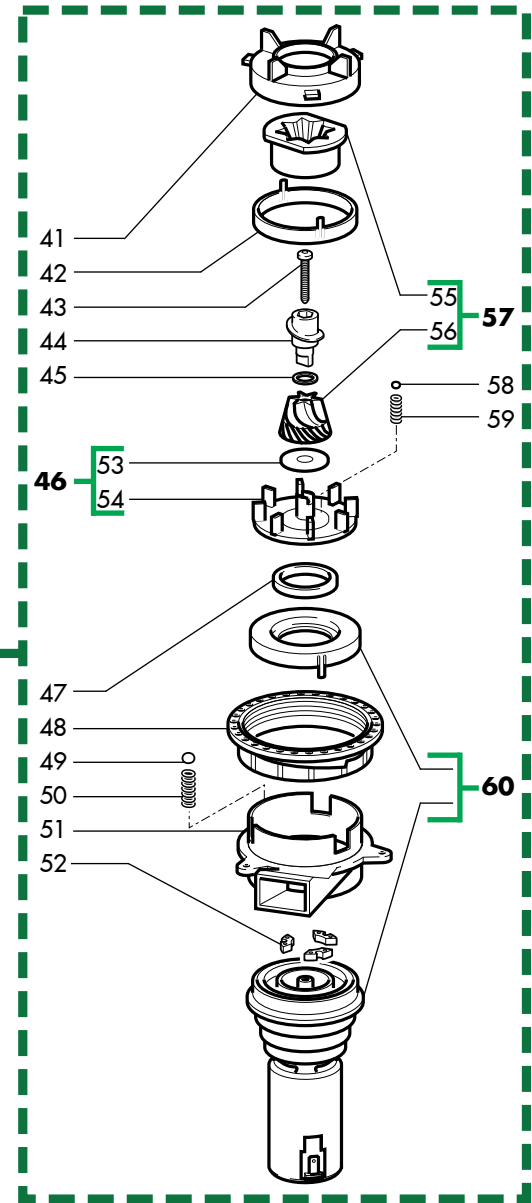
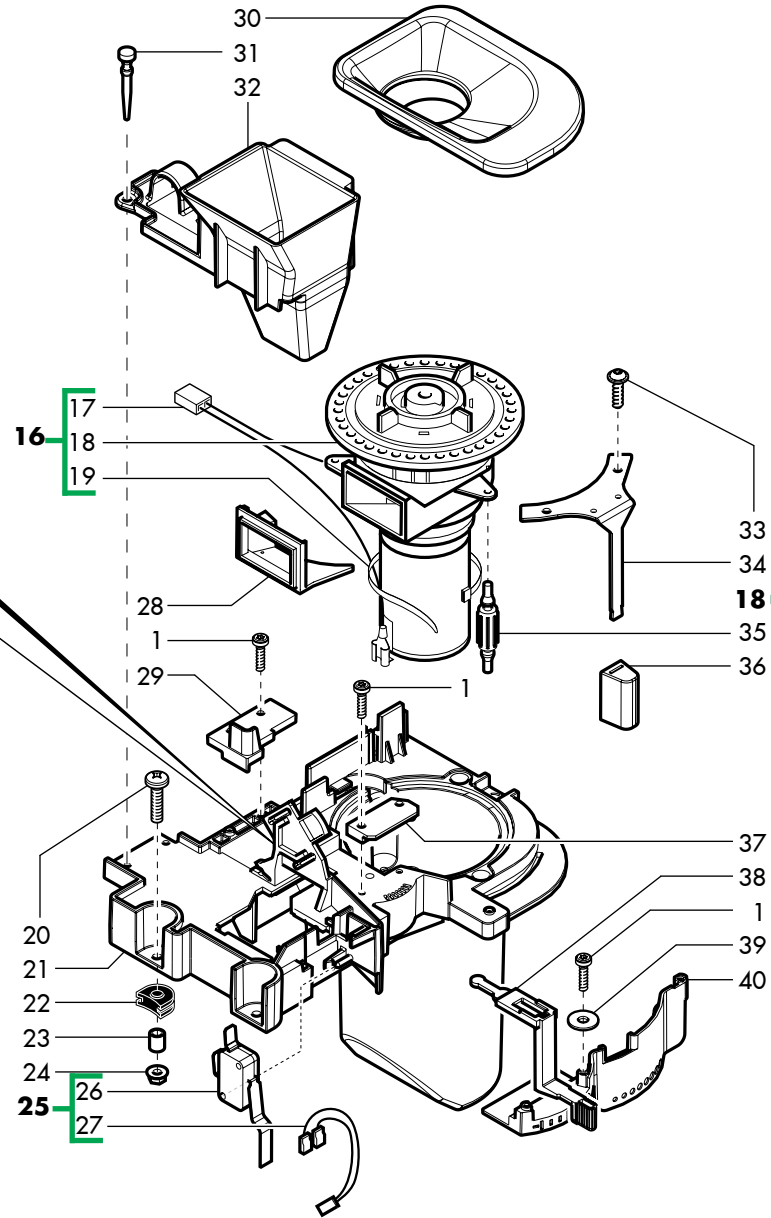
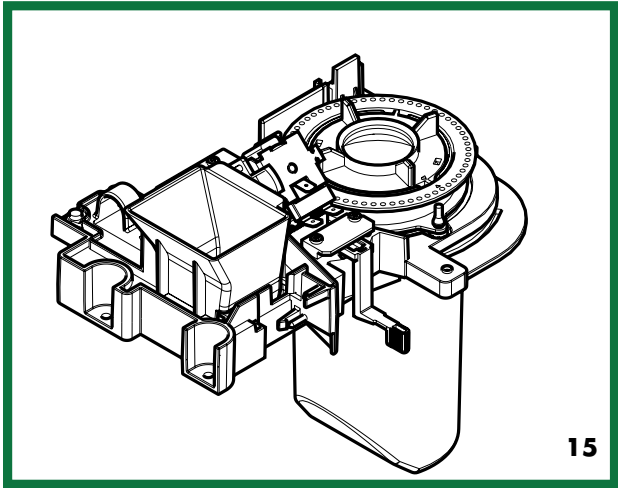
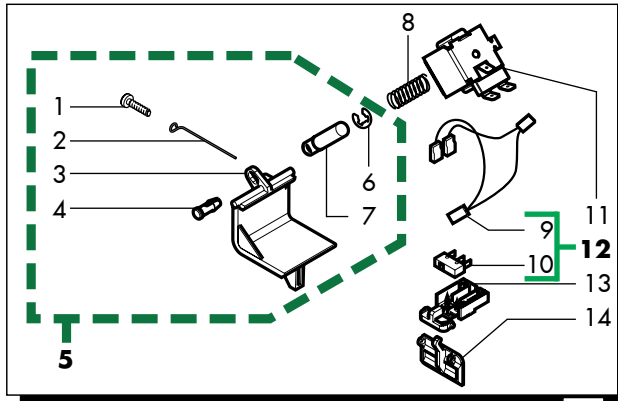
E74230**SUP040R, SUP040RB**

Pos	Article-Nr.	Description	Pos	Article-Nr.	Description
1	11029674				
2	11035450	SILICONE TUBE 5X10 L.2000MM			
3	147920300	TRANS.CONNECTOR D=8 ART.80.26.047 KA.461			
4	11032467	SILICONE TUBE 11X12,8 L.2000 MM			
5	12000892	OETIKER CLAMP D=9,5 16700004			
6	17004117	220V/BLK PROT+BLOWDOWN VALVE RYLO K AS.			
7	11028161	BLOWDOWN VALVE V3 RYL 220V-60HZ ASSY.			
8	11027788	PINK 5X8,9 SILICONE TUBE L=2000MM			
9	17004116	SAFETY VALVE/EV DRAIN TUBES RYLO K ASSY.			
10	17000165	BLACK DRIP TRAY PROTECTION RYL			
11	129913902	SCREW TCB TORX 10 3X12 PLAST.ZN-B			
12	17800442	2POLES CONNECT.SENSOR REED DUMP BOX CST			
13	11001054	BLK PUMP OUTLET 90°CONNECTOR P0049/B			
14	140321961	O-RING 2031 TERMOIL			
15	17004032	BLK COMPONENTS SUPPORT RYLO V2 KR			
16	17800202	2POLES CONNECTOR COFFEE PUMP RYL UL			
17	11022857	BLACK PUMP SUPPORT GMYB			
18	12000182	ULKA PUMP EP5/S GW 220V-60HZ			
19	17004120	2P.CONN.STEAM PUMP V2 RYL UL ASSY.			
20	11006304	TEA/BRASS CONNECTOR FOR ALUM.BOILER			
21	9181.350	TEA/BRASS REAR CONNECTOR 1/8" ULKA PUMP			
22	NM03.017	O-RING R6 NBR			
23	9071.054	BRASS NUT FOR ULKA PUMP REAR CONNECTOR			
24	9079.A37	REAR CONN. ASS. M5 FOR ULKA PUMP			
25	17004040				
26	17004041				
27	11025871				
28	11010243	TEA/BRASS 90° DOUBLE CONNECTOR			
29	9181.406	TEA/BRASS CONNECTOR TURBINE MF 1/4 1/8			
30	NM01.049	OR ORM 0070-20 SILICONE			
31	17000821	BLACK TURBINE SUPPORT RYLO			
32	12000450	SCREW TCB TORX 10 3,5X12 PLAST.ZN-N			
33	421941294291				
34	NV99.033	DIGMESA TURBINE IN PLASTIC 937-1512/F09			
35	17001018	BLACK WATER SUPPLY CONNECTOR RYLO RI			
36	NE03.038	BIPOLAR SWITCH FUSIT C1250AR			
37	12001883	CUP SOCKET V3 EN 60320 C 13			
38	17000162	BLACK SOCKET-SWITCH SUPPORT RYL			
39	421946001561	6P.CONN.FLOWMETER V2 RYLO UL ASSY.			
40	129912104	SCREW TCB TORX 20 4X10 PLAST.ZN-N			
41	0701.081	SPRING FOR TUBE PRODUCT 1			
42	147756562	BLK PROTECTION FOR FOLK SPRING TUBE D=4			
43	12001595	TRANSP/WHITE ASPIRATION FILTER MDS			



E74230**SUP040R, SUP040RB**

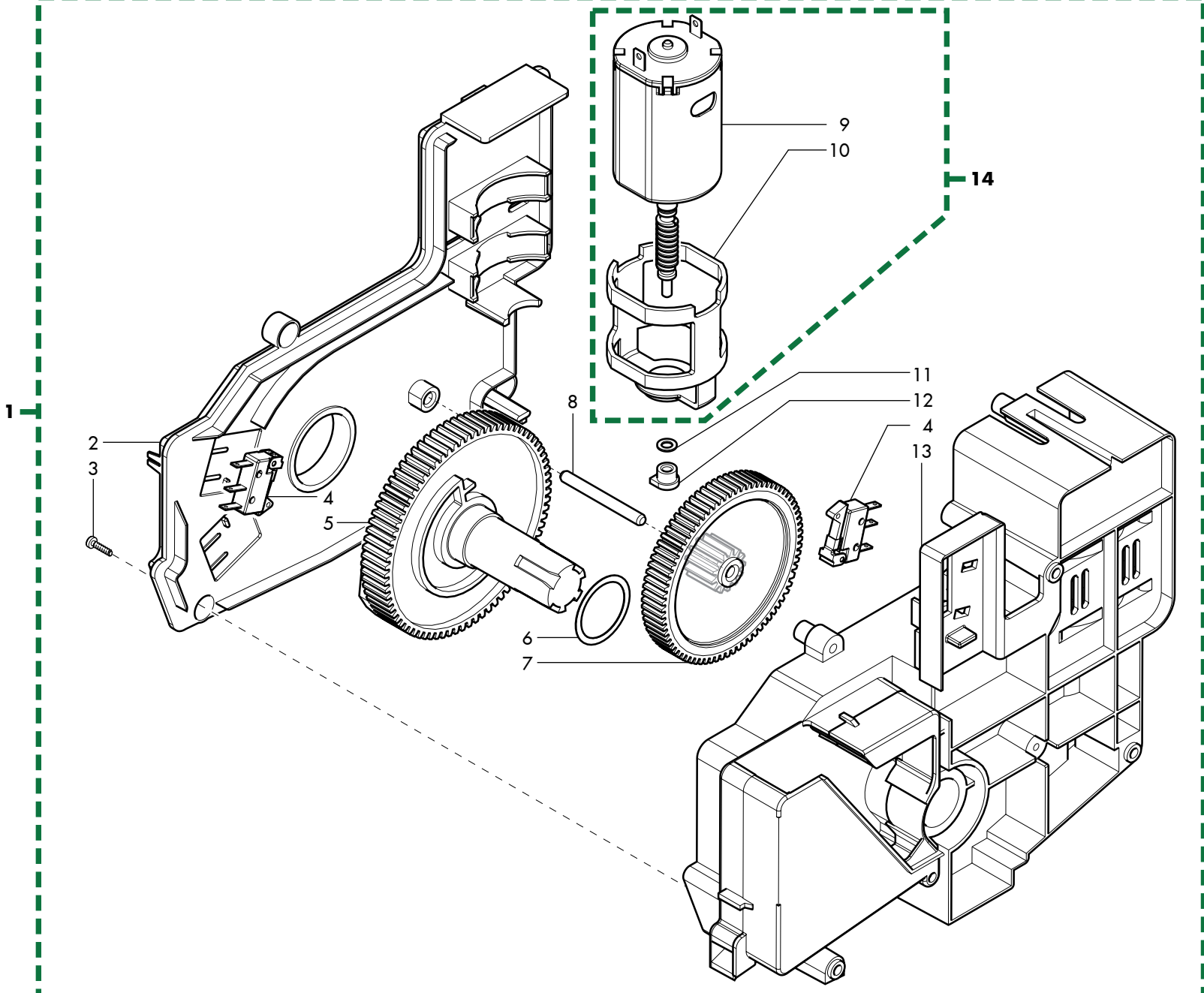
Pos	Article-Nr.	Description	Pos	Article-Nr.	Description
1	11034075	CRC CASING COVER S/SCR.RYLO V2 ASSY.			
1	11034377				
1	11034510	BLK CASING COVER S/SCR.RYLO V2 ASSY.			
1	11034802	CRC CASING COVER S/SCR.RYLO V2 ASSY. UL			
1	17004094	KR CRC CASING COVER S/SCR.RYLO/T ASSY.			
2	11030103	CRC FRONT PANEL RYLO			
3	20007081	SPARES KIT CRC CASING COVER S/SCR.RYLO			
3	20007780				
3	20007781				
3	20007782				
3	421940813041	KIT SPARES TXO/BLK CASING COV.S/S.RYLO/T			
4	421941306721	CPU+SW WATER LEVEL SENSOR V3 ASSY.			
5	17001444	BLACK WATER LEVEL SENSOR SUPPORT RYLO			
6	12000450	SCREW TCB TORX 10 3,5X12 PLAST.ZN-N			
7	17000829	BLACK BEAN CONTAINER SENSOR SUPPORT RYLO			
8	17000422	TRANSP.INFRAREDS PLATE RYL			
9	0701.031.150	GREY WATER VALVE GACO DIM 14 SEAL COVER			
10	145842900	NBR WATER CONT.VALVE GACO DIM14 SEAL			
11	12000895	SCREW TSP TORX 10 3X10 PLAST.SS			
12	0701.014.150	GREY WATER VALVE GACO DIM 14 SEAL CONT.			
13	140320461	OR ORM 0080-20 TERMOIL			
14	11025847	BLACK HANDLE WATER CONTAINER LID RYLO			
15	17001255	BLACK PLUG FOR WATER CONTAIN.HANDLE RYL			
16	11029967				
17	11025835	CRC W/LOCK CONTAINERS LID RYLO ASSY.			
17	421941301071				
18	11025848	BLACK WATER CONTAINER LID RYLO			
19	144650800	WHITE WATER CONTAINER EXT.FILTER			
20	140328461	OR ORM 0190-10 EPDM			
21	224640200	WHITE WATER CONTAINER EXT.FILTER ASSY.			
22	140324362	OR ORM 0060-30 SILICONE			
23	126764718	SS WATER CONTAINER VALVE SPRING			
24	147660562	GREY PISTON FOR WATER CONTAINER VALVE			
25	11025846	TRANSP/GREY WATER CONTAINER RYLO ASSY.			
26	11025844	BLACK BEAN COFFEE CONTAIN.LID RYLO ASSY.			
27	17001987	STEEL CONTAINERS LID LOCK BRACKET RYLO			
28	11004160	D=6 H=4 MAGNET P0049			
29	421941301061	TXO/BLK CONTAINERS LID RYLO TO ASSY.			
30	12001431	SCREW TCB TORX 10 3X12 PLAST.SS			
31	12001902	LOCK MERONI 337			
32	11025841	TRANSP/GREY BEAN CONTAINER RYLO			



E74230

SUP040R, SUP040RB

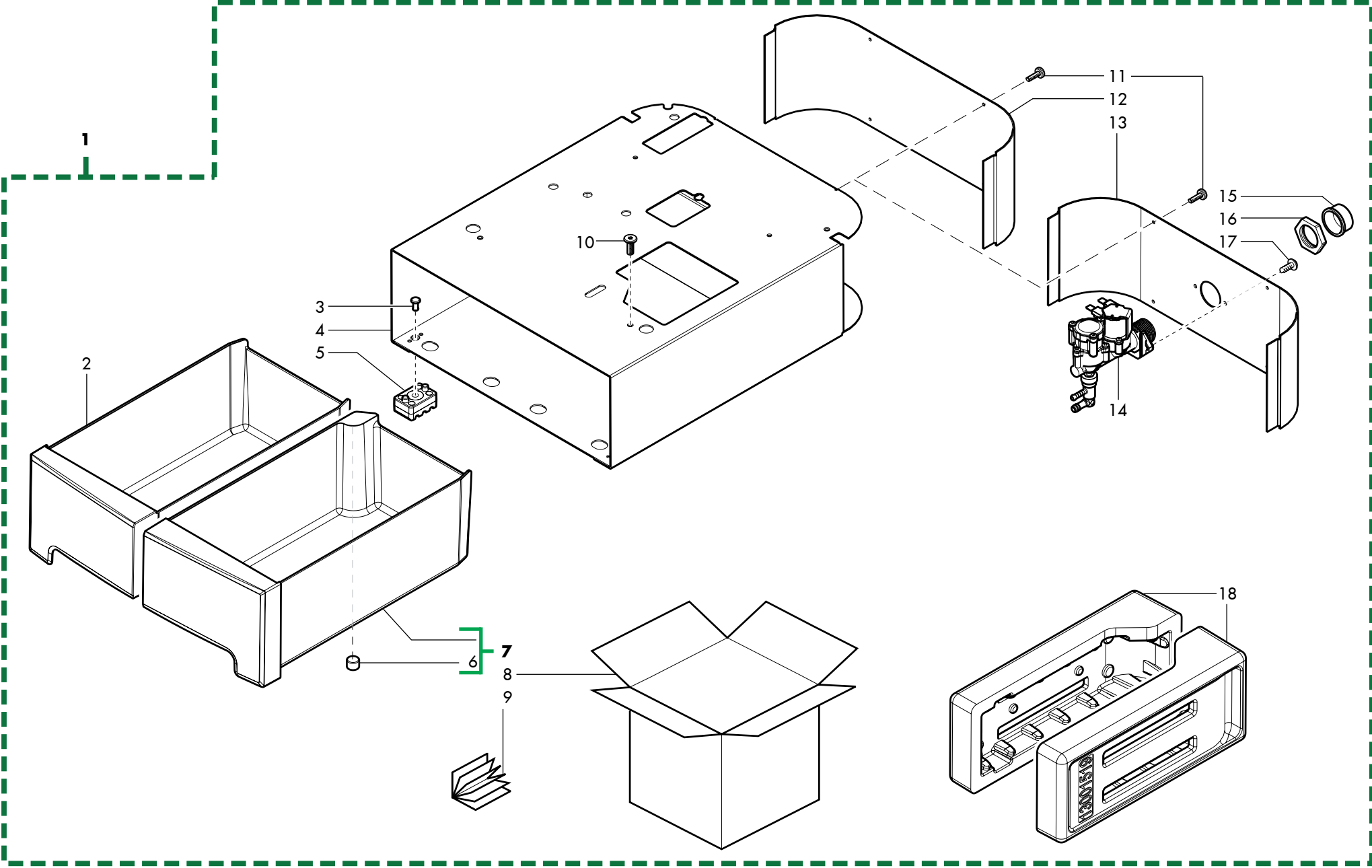
Pos	Article-Nr.	Description	Pos	Article-Nr.	Description
1	129913902	SCREW TCB TORX 10 3X12 PLAST.ZN-B	48	146570950	RING NUT FOR GRINDING ADJUSTMENT MAGIC
2	9161.048	STEEL GROUND COF.DOSER SCRAPER ROD	49	128610421	STAIL.STELL AISI 304 SPHERE D=3,2MM
3	9161.074.150	GREY GROUND COFFE DOSER DOOR	50	126770117	NEW SPRING SPHERE D=3,2 MOTOR MAGIC
4	9161.076.150	GREY GROUND COF.DOSER DOOR PIN	51	9141.080	BLACK COFFEE GRINDER MOTOR SUPPORT
5	9140.017	GREY GROUND COF.DOSER DOOR ASSY.	52	140230400	SHOCK ABS .CONICAL GRINDER SUPP.MAGIC
6	U701.003	SNAP RING 7 UNI 7434	53	9141.042	SAFETY RING
7	9161.041	STEEL GROUND COF.DOSER ELECTROMAGN.CORE	54	9141.028	BLACK LOWER GRINDER SUPPORT MAGIC
8	126764818	SPRING ELECTROM.BEAN DOSER MAGIC	55	9141.039	UPPER GRINDER
9	421946000541	4P.CONN.COIL+DOSER MICRO V2 RYL UL ASSY.	56	9141.040	CONICAL GRINDER
10	NE05.017	MICROSWITCH	57	226477700	KIT ITAL MILL GRINDERS
11	11025734	DOSER COIL FOR SUPERAUTOM.24V DC ASSY.	58	128610521	STAIL.STEEL AISI 304 SPHERE D=5,5MM
12	421946000921		59	126765517	STEEL SPRING SPHERE D=5,5 MOTOR MAGIC
13	9161.072.150	GREY MICRO SUPP.CURSOR GROUND COF.DOSER	60	0301.R10.00A	SPARE MOTOR UNIT MC 230V
14	9161.073.150	GREY GROUND COF.DOSE CONTROL COMPENSATOR	60	0301.R10.00F	SPARE MOTOR UNIT MC 120V
15	11029886				
15	421944015031				
16	11027917				
16	11028181				
17	421946000531	2P.CONN.GRINDER MOTOR V2 RYL UL ASSY.			
18	9140.036.00A	COFFEE GRINDER STD 230V ASSY.			
18	9140.036.00F	ASS.MOTOR STD 120V			
19	144320200	SELF LOCK STRIP W=2.6 L=200			
20	U043.004	ZN-B TCB TORX 20 M4X16 ZN-B			
21	9161.365.150	GREY PLATE COFFEEGRINDER MAGIC/ROYAL			
22	9991.005	RUBBER FOR COFFEE GRINDER			
23	9141.003	SPACER FOR RUBBER			
24	U324.006	NUT M4 FLANGED INDENTED BASE			
25	421946000911	MICROSWITCH DOOR V2 RYL UL ASSY.			
26	12001605	MICROSWITCH			
27	421946000501				
28	1505.014	COFFEEGRINDER SEAL			
29	17001155	GREY COVER FOR DOSER HOLE RYL			
30	17000238	COFFEE GRINDER SOUNDPROOFING COVER RYL			
31	9161.082	RUBBER COUPLER			
32	17000176	BLACK HOPPER FOR POWDER COFFEE RYL			
33	12000450	SCREW TCB TORX 10 3,5X12 PLAST.ZN-N			
34	0333.008	STEEL GRINDING ADJUSTMENT LEVER			
35	9991.103	ANTIVIBRATION FOR COFFEEGRINDER			
36	0333.009	BLK GRINDING ADJUST.LEVER HANDGRIP ROYAL			
37	9161.097.150	GREY GROUND COF.DOSER LEVER FIXING PLATE			
38	9161.077.150	DOSE ADJUSTMENT LEVER DE LUXE GREY			
38	0313.003.150	7016/GREY GROUND COF.DOSER ADJUSTM.LEVER			
39	U201.001	PLAIN WASHER 3,2X9 DIN 7349 GALV.			
40	17000832	GRY COFF.GRINDING/DOSE ADJUST.SCALE RYLO			
41	149186150	BLACK UPPER GRINDER SUPPORT MAGIC			
42	142844550	UPPER GRINDER COVER COFFEE GRIND. MAGIC			
43	129931002	TORX SCREW T10 TCB 3,5X40 SX ZNG			
44	147470763	BLK INCREASE SCREW PIN COF.GRINDER MAGIC			
45	U201.002	PLAIN WASHER 10X16X0,2DIN 988 GAL			
46	149188750	CONICAL GRIND. SUPP. + RING MAGIC			
47	140360200	FELT RING 40X34X5			



E74230**SUP040R, SUP040RB**

Pos	Article-Nr.	Description
1	11025736	RATIOMOTOR RYL ASSY.
2	17000719	GREY RATIOMOTOR LID RYL
3	129670202	TCB PANELVIT SCREW 3,5X16 TESTA D=8 ZNP
4	NE05.038	MICROSWITCH SAIA XCG5-81-P5
5	11007137	BLACK GEAR Z=77 V2 FOR RATIOMOTOR P124
6	9161.368	MYLAR WASHER FOR RATIOMOTOR
7	146002800	GREY GEAR Z=13/90 FOR RATIOMOTOR P124
8	9121.039	STEEL PIN FOR RATIOMOTOR GEAR MAGIC
9	11003037	MOTOR FOR RATIOMOTOR ASSY.
10	9121.044	ANTIVIBRATION FOR MOTOR
11	148380200	BAKELIZZATE WASHER D=5,5
12	9121.046	BRONZE SINTERED BUSH FOR MOTOR RATIOMOT.
13	11026258	GREY RATIOMOTOR CASING WITH TUBE ASSY.
14	11005214	MOTOR FOR RATIOMOTOR P124 ASSY.

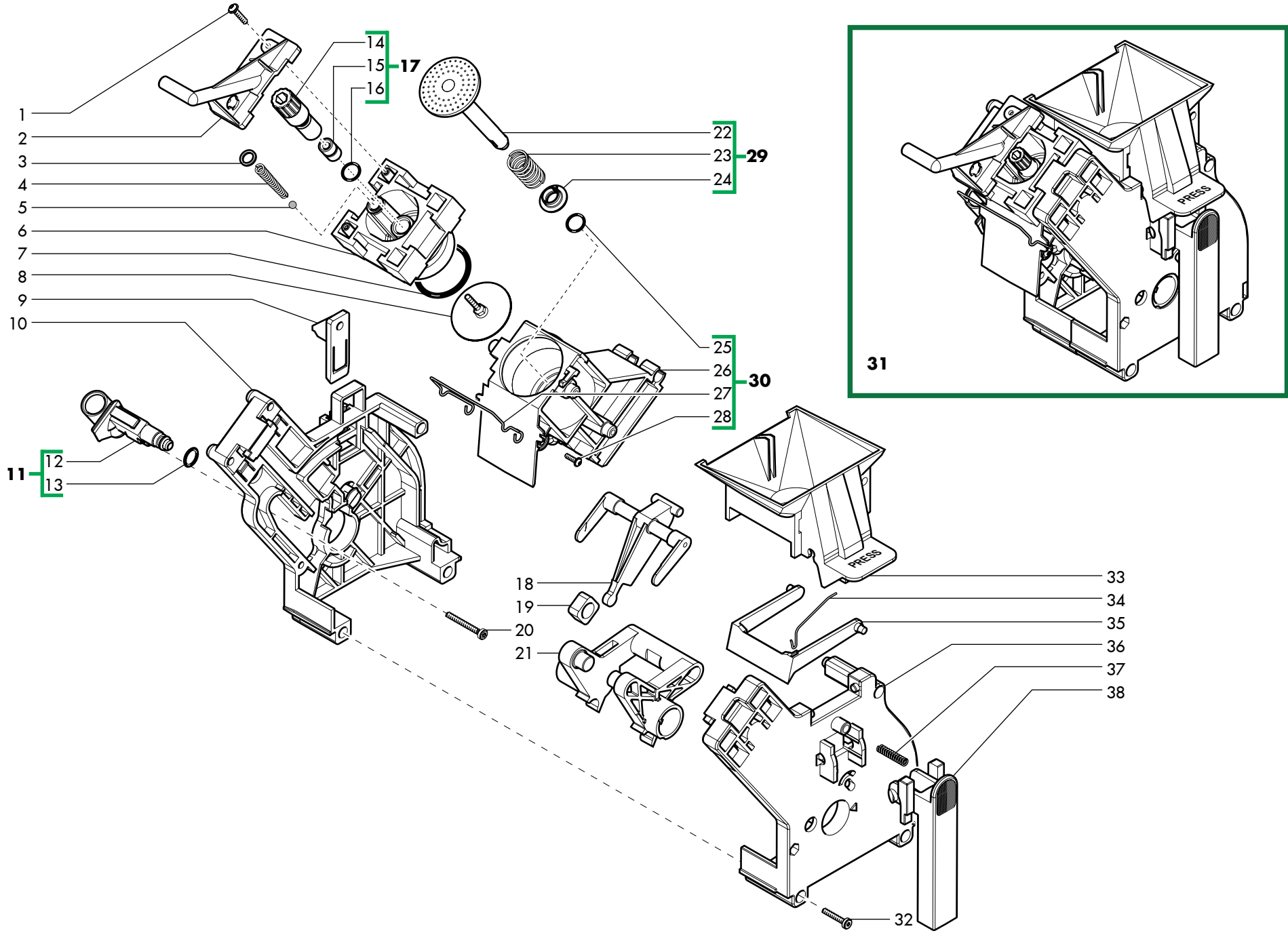
Pos	Article-Nr.	Description
-----	-------------	-------------



E74230**SUP040R, SUP040RB**

Pos	Article-Nr.	Description
1	11029676	BLACK/CRC BASE RYLO ASSY.
1	11030450	BLACK/CRC BASE RYLO RI ASSY.
1	11034378	
1	421944010861	BLK-TXO/BLK BASE RYLO ASSY.
2	11029731	CRC BASE REPOSITORY DRAWER RYLO
2	421941302441	TXO/BLK BASE REPOSITORY DRAWER RYLO
3	11021769	BLACK RIGID FOOT FIXING PIN MYB9
4	421946005111	BLK STEEL BASE CASING V2 RYLO ASSY.
5	11021829	BLACK/TRANSP.RIGID FOOT MYB9
6	9161.111	MAGNET FOR FLOAT SUPERAUT.
7	421941302831	
7	11029719	CRC BASE DUMP BOX RYLO ASSY.
8	13001676	HAVANA BOX V2 BASE RYLO
9	15003922	MANUAL SAE SUP040R RYLO RI 17LANG.
10	129914302	SCREW TORX M4X10 TESTA D=8X1,5 GALV
11	12001622	SCREW TCB TORX B 3,5X9,5 SCHEET NIK
12	421944001181	BLK BASE REAR PANEL RYLO
13	11029701	BLACK BASE REAR PANEL RYLO RI
14	17001582	CONNECT.WATER SUPPLY RYLO RI ASSY.
15	NV03.002	"CAP 3/4 ""KAPSTO 800R 3/4""
16	NV99.075	GHIERA IN NYLON G3/4" 6 MM.
17	129912104	SCREW TCB TORX 20 4X10 PLAST.ZN-N
18	13001519	PS-E INSERT FOR BOX BASE RYLO

Pos	Article-Nr.	Description
-----	-------------	-------------

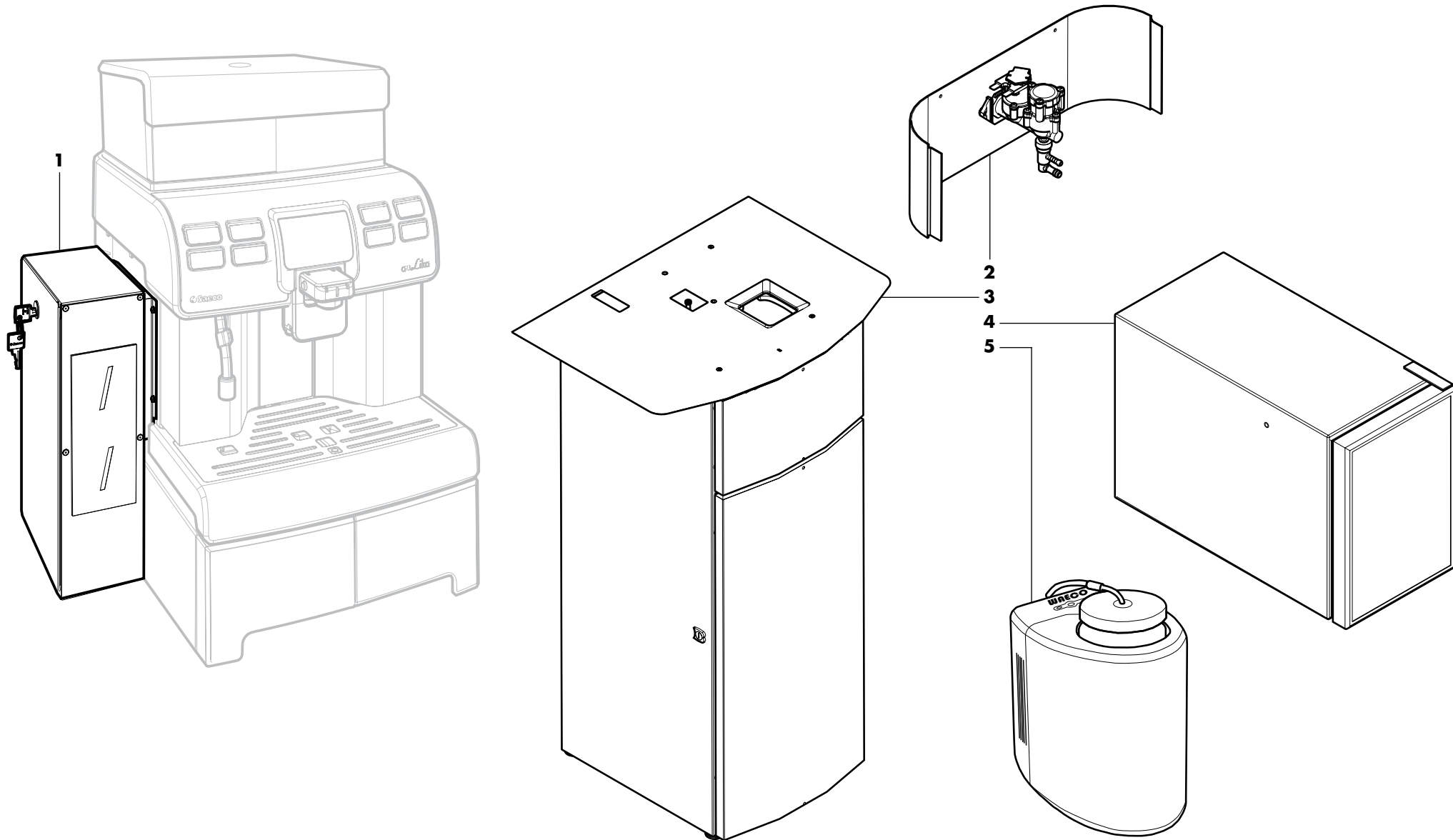


E74230**SUP040R, SUP040RB**

Pos	Article-Nr.	Description
1	12002170	SCREW TCB TORX 10 3X16 PLAST SS
1	U140.019	SCREW TCB TORX 10 3X16 PLAST SS
2	11003789	BLACK COFF.OUTLET SLEEVE BREW UNIT ROYAL
3	11021334	BLK COUNTERPISTON SEAL DE=11 DI=8 SP=1,4
4	9161.222	SS.CONICAL SPRING
5	421944034451	BOROSILICATE SPHERE D.5 MM
6	11003796	BLACK BREW UNIT COUNTERPISTON M5000
7	NM01.044	OR ORM 0320-40 SILICONE PTFE/FDA
8	9160.075	PERCOLATOR DE=35,8 ELFO ASSY.
9	11004114	BLACK BREW UNIT COUPLING PLATE
10	421941158532	BLACK BREW UNIT REAR PLATE V2 M5000
11	20000440	BLACK WATER INLET SLEEVE BREW UNIT ASSY.
12	9161.064.050	BLACK WATER INLET SLEEVE BREW UNIT ROYAL
13	NM02.007	OR 2025 IN TERMOIL
14	147472650	PIN BLACK FOR PERCOLATOR
15	NF11.067	BRASS INSERT FOR PERCOLATOR LOCKING PIN
16	NM02.006	OR R5 TERMOIL
16	140324461	OR ORM 0060-20 TERMOIL
17	227470150	PIN BLACK ASS.FOR PERCOLATOR
18	11003078	BLACK CONNECTING ROD BREW UNIT 8GR.
19	9161.094.050	BLACK BREW UNIT DRILLED BLOCK
20	12000550	SCREW TCB TORX 10 3X25 PLAST.SS
21	9161.066.050	BLACK BREW UNIT ELBOW SHAFT M5000
22	11003077	BLK BREW UNIT INTEGRAL PISTON 8GR.ASSY.
23	9161.198	SS.8GR.BREW UNIT PISTON SPRING
24	9161.191	WHITE 8GR.-12GR.BREW UNIT PISTON BUSH
25	NM02.018	OR ORM 0090-25 TERMOIL
26	421944014611	BLK COF.CONTAIN.BREW UNIT V2 M5000 ASSY.
27	11001556	SS BREW UNIT SPRING H=49 SMART
28	129912521	SCREW TCB TORX 10 3,5X14 PLAST.SS
29	11023086	BLK 8GR.BREW UNIT NTEGR.PISTON GEN.ASSY.
30	11004750	ASS. CUP DISPENSER 120V D.73
31	11003800	BLACK BREW UNIT MAGIC/ROYAL
32	12000897	SCREW TCB TORX 10 3,5X20 PLAST.SS
33	11003795	BLACK HOPPER COFF.BREW UNIT S/SCR.M5000
34	9161.046	SS SCRAPER SPRING FOR BREW UNIT
35	11004161	BLACK SCRAPER FOR BREW UNIT M5000
36	11003793	BLACK BREW UNIT FRONT PLATE M5000
37	9161.045	SS BREW UNIT HANDGRIP SPRING M5000
38	11003791	BLACK BREW UNIT HANDGRIP M5000

Pos	Article-Nr.	Description
-----	-------------	-------------

ACCESSORI



E74230**SUP040R, SUP040RB**

Pos	Article-Nr.	Description
1	21002350	VE KIT BOX PAYM. SYS. AULIKA TOP HSC
2	20007241	KIT WATER SUPPLY AULIKA
3	10005004	
4	21001800	ACC PR FRIGO ASTRA 220/230 50/60 SCH BLK
5	21001820	ACC PR MANTENITORE 100/240V 50-60HZ BLK

Pos	Article-Nr.	Description
-----	-------------	-------------