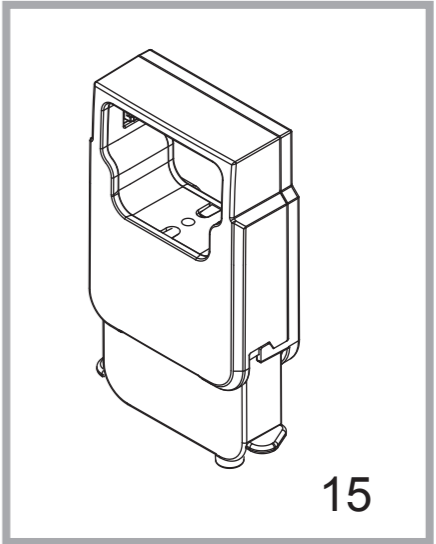
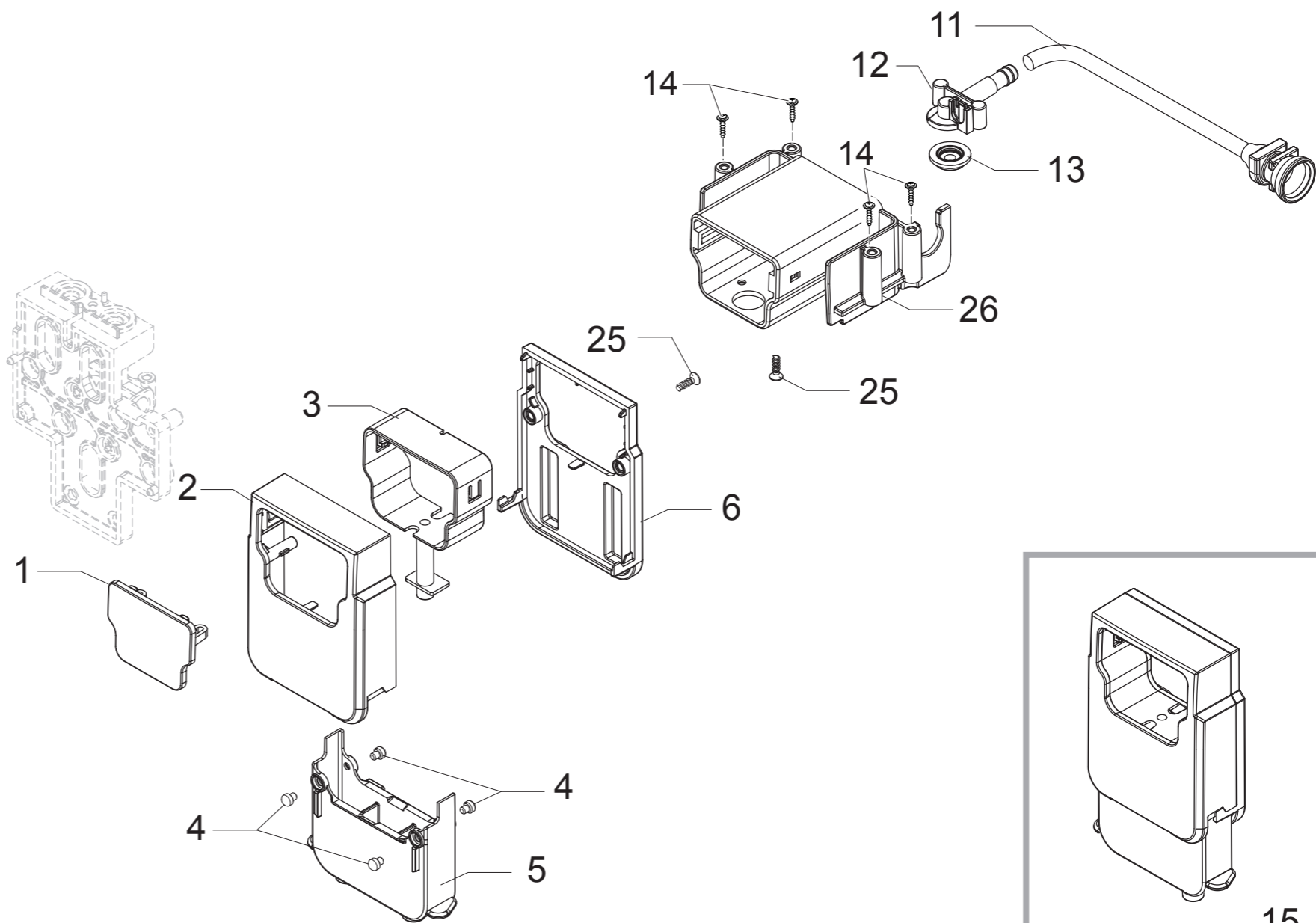
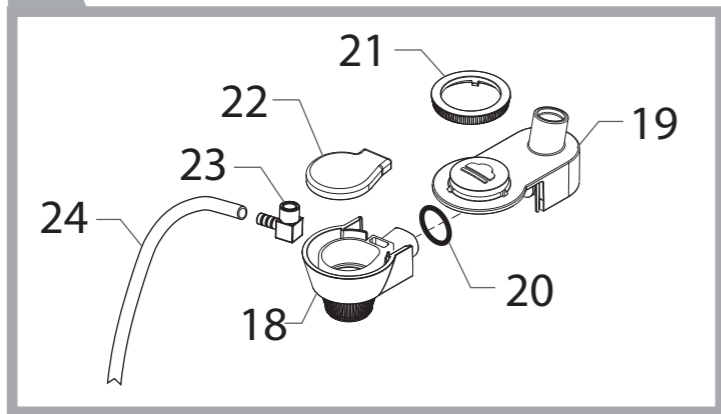
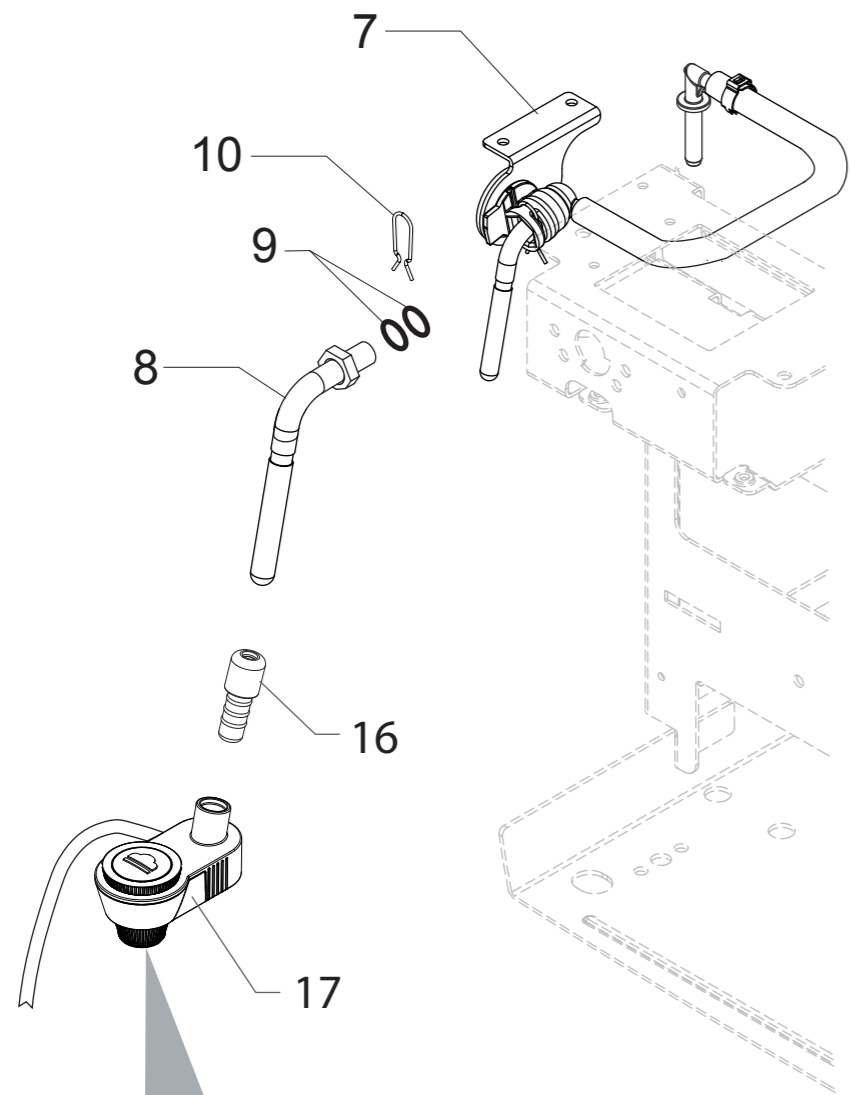
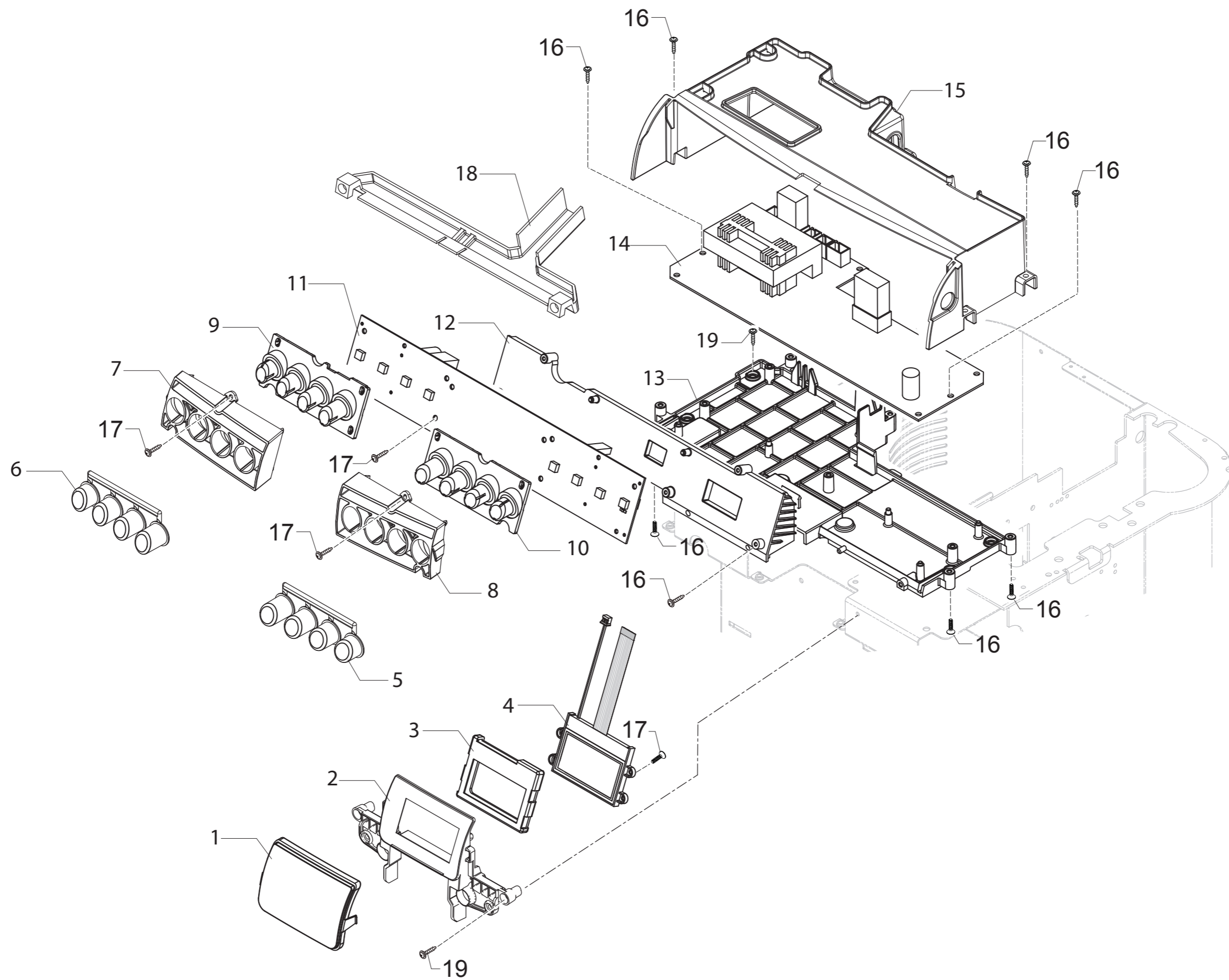


Pos	Article-Nr.	Description	Pos	Article-Nr.	Description
1	421946025641	MANUAL SAE SUP044 RYL/H DE			
1	421946025651	MANUAL SAE SUP044 RYL/H ES			
1	421946025661	MANUAL SAE SUP044 RYL/H FR			
1	421946025671	MANUAL SAE SUP044 RYL/H GB			
2	421944033301	BLK ABS COFFEE MEASURE SMART			
3	127390100	BRUSH FOR CLEANING			
4	145550100	GREASE KLUBER ISOFLEX TOPAS NCA 52			
5	11021769	BLACK RIGID FOOT FIXING PIN MYB9			
6	0301.961	STICKER FOR WATER HARDNESS TEST			
7	183911050	BLACK POWER CABLE SCHUKO L=1200			
8	12001622	SCREW TCB TORX B 3,5X9,5 SCHEET NIK			
9	20006994	KIT PS-E INSERT FOR BOX RYL			
10	13001640	WHITE BOX RYL/T SAE ROYAL ONE TOUCH CEE			
11	11031091	TXO/BLK FRONT CASING COVER RYL/H			
12	11025823	BLACK STEEL CASING RYL/T ASSY.			
13	17002110	BLACK CASING LEFT CLOSING INSERT RYL/H			
14	11030103	CRC FRONT PANEL RYLO			
15	17000723	GREY DUMP BOX GUIDE RYL			
16	17000349	BLACK SEAL FOR CUPWARMING LID RYL			
17	17000175	SB/SS CUPWARMING LID RYL			
18	11031092	TXO/BLK DUMP BOX RYL ASSY.			
19	12000895	SCREW TSP TORX 10 3X10 PLAST.SS			
20	129535721	SCREW TSP TORX 10 AB 3,5X9,5 SHEET SS			
21	11021829	BLACK/TRANSP.RIGID FOOT MYB9			
22	0301.041.150	GREY BREW UNIT SUPPORT PLATE ROYAL			
23	0301.020	NIK/BRASS PIN FOR DOOR SUPERAUT.			
24	17000391	BLACK WATER LEVEL SENSOR SUPPORT RYL			
25	0301.019	NIK/BRASS PIN FOR DOOR SUPERAUT.			
26	11031307	BLACK CASING RIGHT CLOSING INSERT RYL			
27	421946000521	2P.CONN.SUPPLY CUPWARMER V2 RYL UL ASSY.			
28	421941306721	CPU+SW WATER LEVEL SENSOR V3 ASSY.			
29	17000422	TRANSP.INFRAREDS PLATE RYL			
30	11031086	TXO/BLK COVER CASING INSERT S/SCR.RYL			
31	421944046311	TXO/BLK CAS.COVER S/S.GRANCREMA V2 RYL/H			
32	WGA431603100	ADHESIVE HEATING-ELEMENT 230V			
33	17800442	2POLES CONNECT.SENSOR REED DUMP BOX CST			
34	11025739	SB/SS GROUND CONT.DOOR COVER S/S.RYL ASS			
35	11031306	BLACK BEAN CONTAINER SENSOR SUPPORT RYL			
36	11027680	7021/GREY DOOR COVER S/SCR.RYL			
37	U433.001	NAIL 2X6 UNI 7591 BURN.			
38	0301.039.710	7021/GREY DOOR CLOSURE KNOB			
39	0301.040.150	GREY DOOR CLOSURE LEVER			
40	11031113	BLACK STEEL CASING DOOR RYL			
41	17000240	GREY MOUNTING PLATE INSERT RYL			
42	12000450	SCREW TCBR TORX 10 3,5X12 PLAST.ZN-N			
43	17000826	BRASS CUPWARMING LID BUSH RYL			
44	U324.005	NUT M3 FLANGED INDENTED BASE			
45	17001480	BLK BEAN CONTAIN.SENSOR SUPP.INSERT RYL			
46	421946001171	WHT EXTERNAL BOX RYLO/P SAE 27L.			



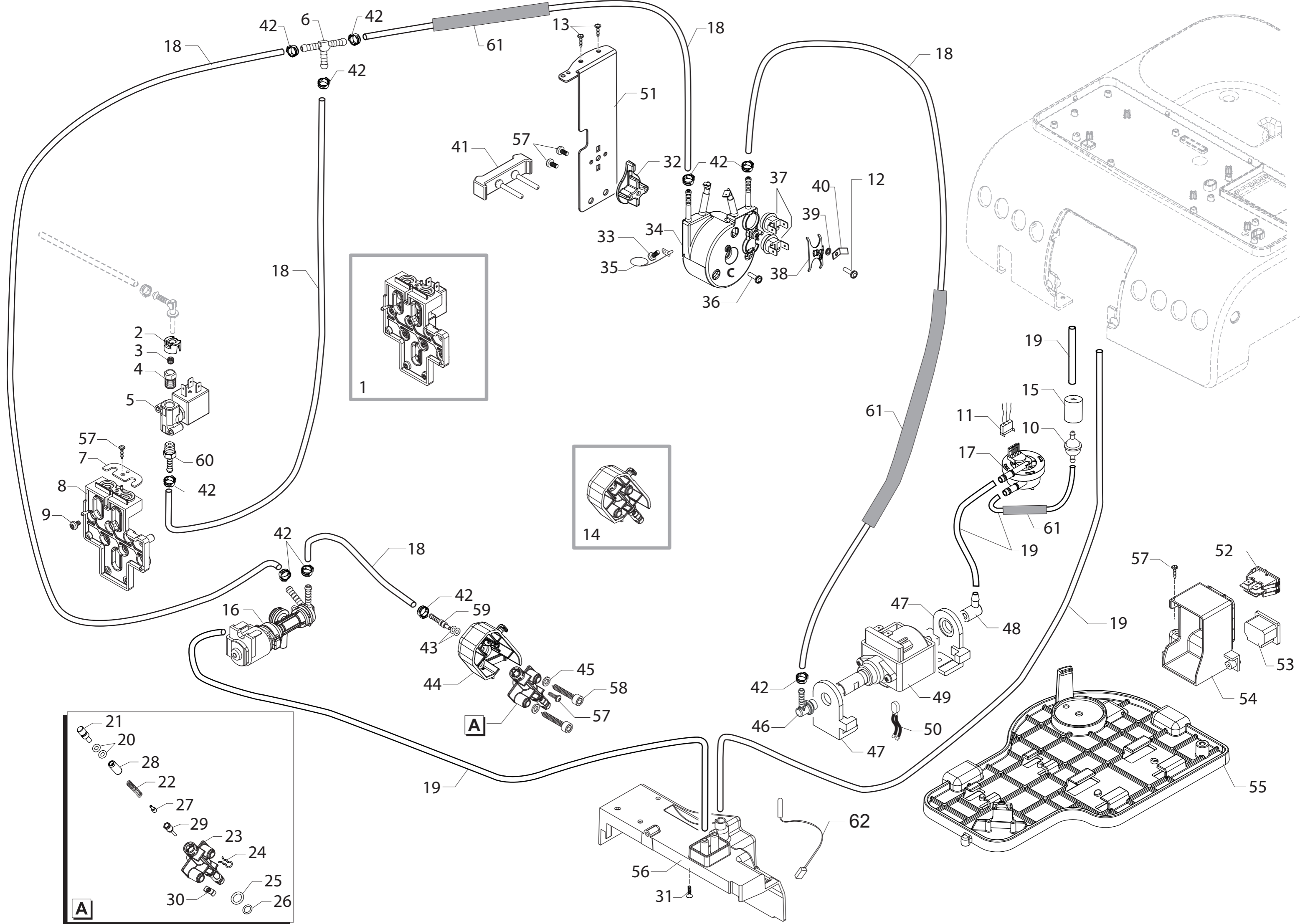
Pos	Article-Nr.	Description
1	11031102	CRC FRONT COFFEE DISPENSER COVER RYL/H
2	11030102	CRC FRONT COF.DISPENSER COVER RYL
3	17000251	BLACK INNER BODY COFFEE DISPENS.RYL
4	11013085	WHITE COFFEE DISPENSER SLIDER MYB9
5	17000246	BLACK EXT.MOBILE PART COF.DISPENSER RYL
6	17000248	BLACK REAR COVER COFFEE DISPENSER RYL
7	421944049351	TF/CHROM.STEAM TUBE V5 RYL/T ASSY.
8	421944045701	TF/CHROM.STEAM TUBE RYL ASSY.
9	140324461	OR ORM 0060-20 TERMOIL
10	126764018	SS SPRING D=1 STEAM TUBE HOLDER JUN.
11	17000614	BLACK DISPENSER COFF.INLET CONNECT.RYL
12	17000616	BLACK COFFEE DISPENSER TUBE RYL
13	17000337	BLACK SEAL FOR COFFEE DISPENSER RYL
14	12000450	SCREW TCB TORX 10 3,5X12 PLAST.ZN-N
15	11030101	CRC COFFEE DISPENSER RYL ASSY.
16	421941301142	BLK STEAM TUBE INSERT V2 SMR/H
17	421944023801	BLK CAPPUC.V3 SMR/H ASSY.
18	421944022461	BLK CAPPUC.CASING V3 SMR/H
19	421944023812	BLK CAPPUC.CASING COVER V5 SMR/H ASSY.
20	NM01.028	O-RING 106 SILICONE
21	421941301121	BLK CAPPUC.CASING COVER RING SMR/H
22	421941301131	BLK CAPPUC.CASING SEAL SMR/H
23	147922350	BLACK CONNECTOR 90° FOR SPHERIC.CAPPUC.
24	9972.045	SILICONE TUBE 3,5X6 L=350 MM DS
25	12001622	SCREW TCB TORX B 3,5X9,5 SCHEET NIK
26	17000257	BLACK.COFFEE DISPENSER SUPPORT RYL

Pos	Article-Nr.	Description
-----	-------------	-------------

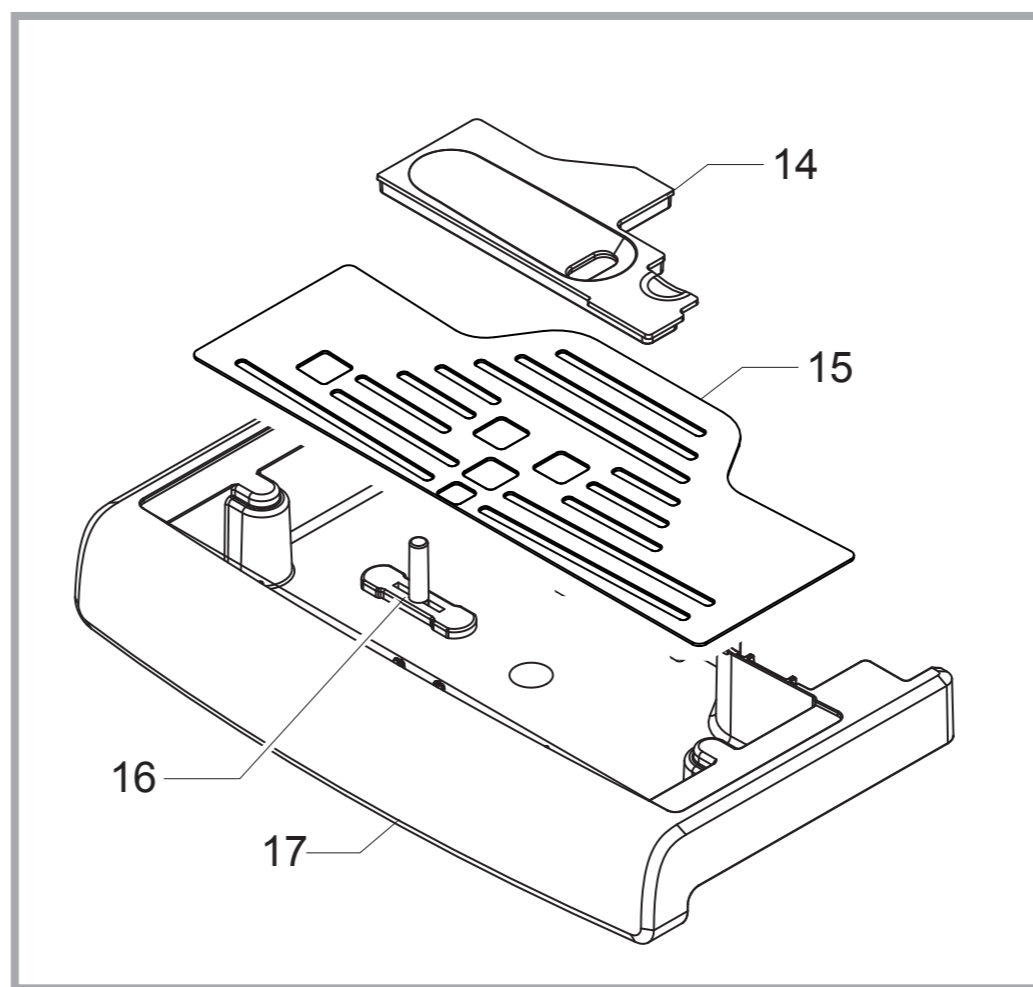
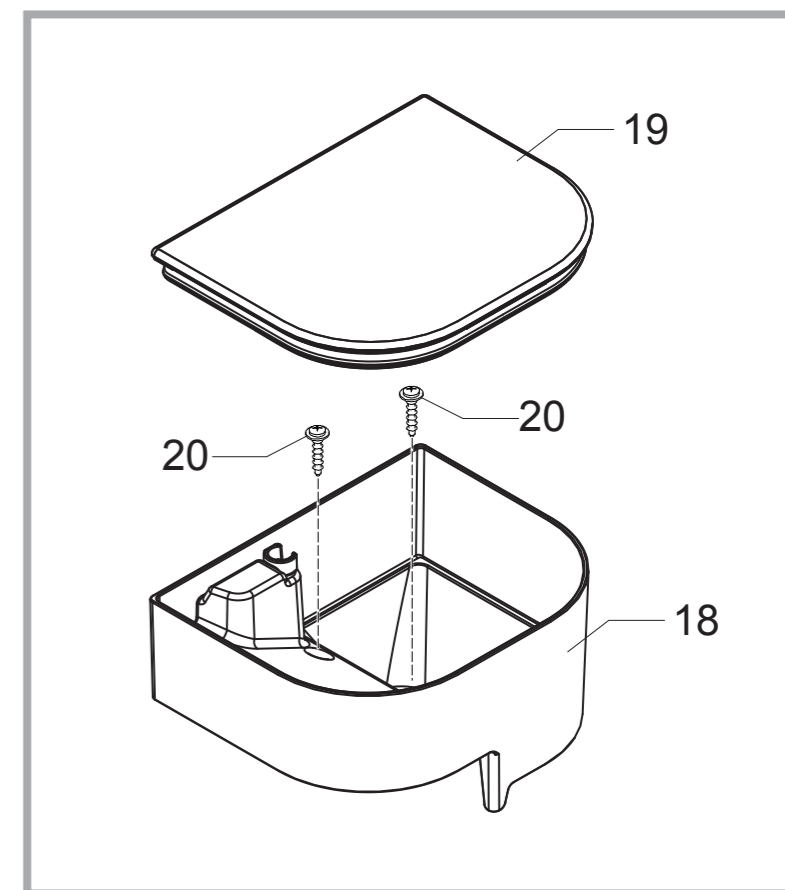
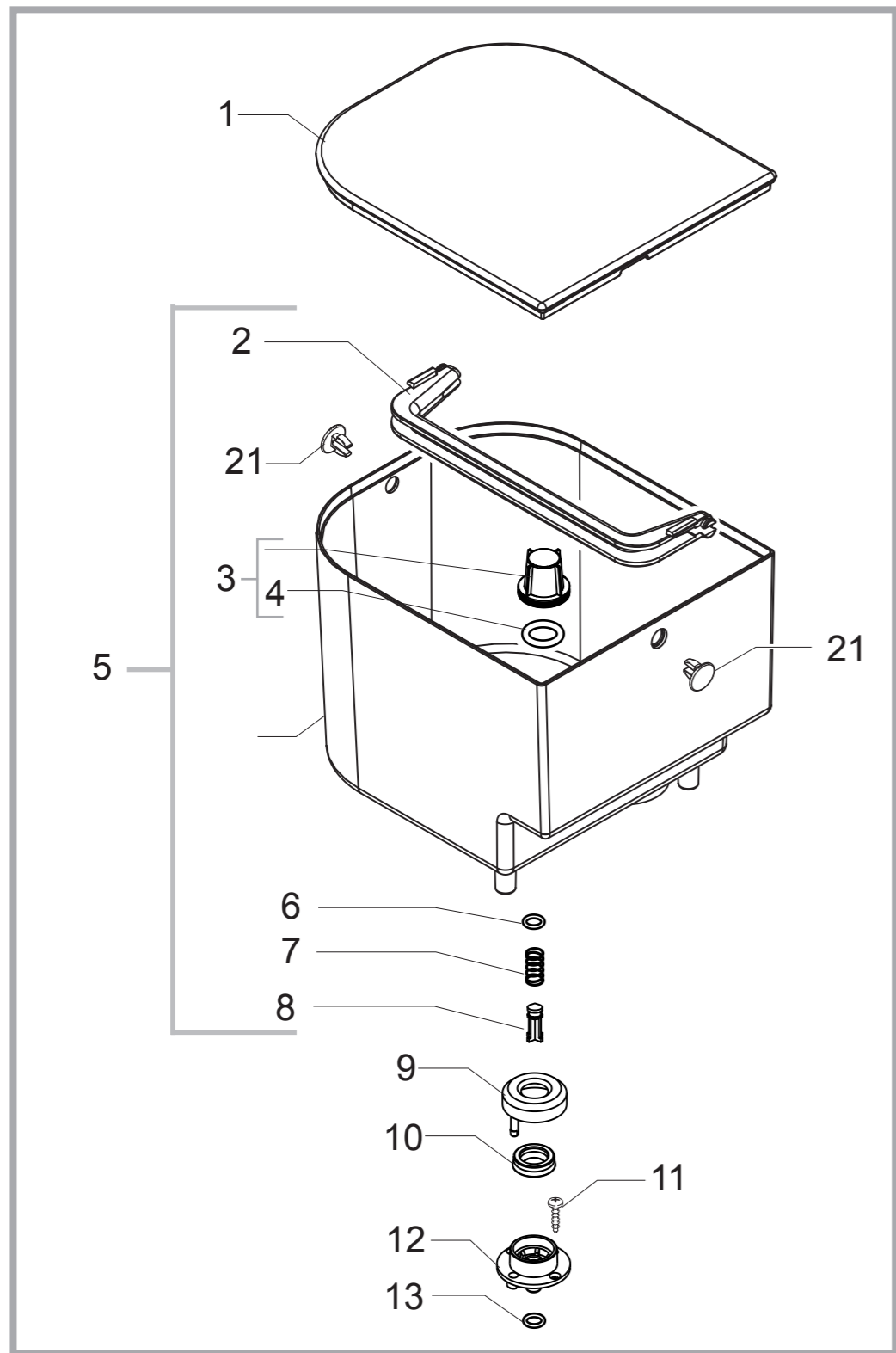


Pos	Article-Nr.	Description
1	17000269	TRANSP.GLASS FOR DISPLAY RYL
2	17000259	BLACK DISPLAY INSERT RYL
3	17000271	BLACK DISPLAY SEAL RYL
4	12001606	AMBER DISPLAY 160x80 0355DP RYL
5	17001972	BLK RIGHT TOUCH PANEL COVER V2 S/S.RYL/H
6	17001973	BLK LEFT TOUCH PANEL COVER V2 S/S.RYL/H
7	17000488	BLACK LEFT TOUCH PANEL SUPPORT RYL
8	17000244	BLACK RIGHT TOUCH PANEL SUPPORT RYL
9	17000434	TRANSP.LEFT TOUCH PANEL RYL
10	17000430	TRANSP.RIGHT TOUCH PANEL RYL
11	11030792	CPU+SW RYL/H ASSY.
12	17000274	BLACK CPU BOARD SUPPORT RYL
13	17000275	BLACK PWR BOARD SUPPORT RYL
14	11030790	PWR BOARD RYL/H 230V
15	17000277	BLACK CPU-PWR BOARDS COVER RYL
16	12000450	SCREW TCBR TORX 10 3,5X12 PLAST.ZN-N
17	129913202	SCREW TCB TORX 10 3X8 PLAST.ZN-B
18	17001152	POWER BOARD PROTECTION RYL
19	12001622	SCREW TCB TORX B 3,5X9,5 SCHEET NIK

Pos	Article-Nr.	Description
-----	-------------	-------------

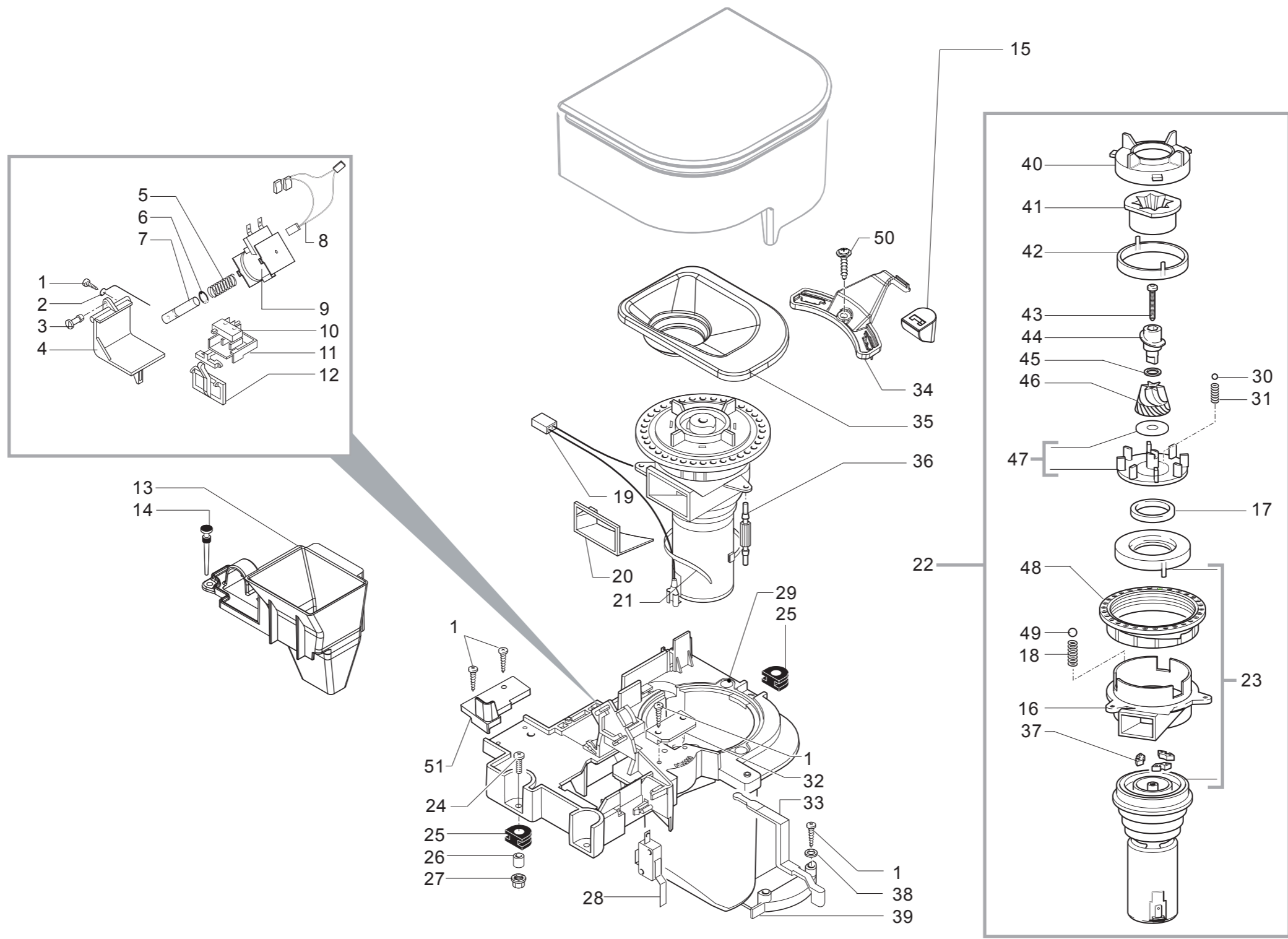


Pos	Article-Nr.	Description	Pos	Article-Nr.	Description
1	421944050311	TEA/BRASS ELECTROV.V3 RYL/H 24V ASSY.	52	NE03.038	BIPOLAR SWITCH FUSIT C1250AR
2	17001178	BLK EV 1/8"GAS.CONNECTOR V2 INSERT RYL	53	12001883	CUP SOCKET V3 EN 60320 C 13
3	17001909	RED EV CONNECTOR 1/8"GAS SEAL V2 RYL	54	17000162	BLACK SOCKET-SWITCH SUPPORT RYL
4	11027334	TEA/BRASS ELECTROV.CONNECT1/8"GAS V2 RYL	55	17000160	BLACK COMPONENTS SUPPORT RYL
5	17001262	LFBRASS 2W.EV 21JN1RRV20-X005+LBV05024CU	56	17000165	BLACK DRIP TRAY PROTECTION RYL
6	11007493	T CONNECTOR FOR BOILER P604	57	12000450	SCREW TCB TORX 10 3,5X12 PLAST.ZN-N
7	17000428	STEEL CONNECTORS FIXING PLATE RYL	58	11003555	GALVANIZED SELF-TAPPING SCREW 4,8X32
8	17000168	BLACK ELECTROV/CONNECTOR SUPP.RYL	59	11000750	TEA/BRASS CONNECTOR FOR SILICONE TUBE
9	U043.012	SCREW TCB TORX 20 M4X6 ZN-B	60	11006304	TEA/BRASS CONNECTOR FOR ALUM.BOILER
10	12001595	TRANSP/WHITE ASPIRATION FILTER MDS	61	16000540	TRANSPAR.11X12,8 SILICONE TUBE IN ROLL
11	421946001551	6P.CONN.FLOWMETER V3 RYL UL ASSY.	62	17800442	2POLES CONNECT.SENSOR REED DUMP BOX
12	12001715	SCREW TCB TORX 20 M4X8 AUTOFORMING ZN-B	100	11031097	^{CST} COFFEE TUB.BOILER 230V RYL/H ASSY.
13	12001622	SCREW TCB TORX B 3,5X9,5 SCHEET NIK			
14	11025744	TEA/BRASS HOT WATER PIN RYL ASSY.			
15	147756562	BLK PROTECTION FOR FOLK SPRING TUBE D=4			
16	11031116	BLOWDOWN VALVE V3 RYL 24V ASSY.			
17	NV99.099	TURBINE D=1,2 932-9521/B ASSY.			
18	16000380	5X8,9 SILICONE TUBE IN ROLL			
19	JS01.022	SILICONE TUBE 5X10 60SH IN ROLL			
20	140326662	OR ORM 0040-20 SILICONE			
21	11026413	TEA/BRASS HOT WATER PIN PLUG RYL			
22	9011.132	SS SPRING FOR PIN			
23	9161.434	HOT WATER PIN			
24	9011.144	SS FORK FOR TUBE D=4			
25	NM01.035	OR ORM 0090-20 SILICONE			
26	NM01.057	OR ORM 0050-20 IN SILICONE			
27	11009013	TEA/BRASS PIN FOR PISTON L=10			
28	11009012	TEA/BRASS BOILER PIN BUSH			
29	11009019	TEA/BRASS PISTON L=20,9 ASSY.			
30	11005099	NATURAL CURSOR V2 FOR BOILER P119			
31	129913902	SCREW TCB TORX 10 3X12 PLAST.ZN-B			
32	11023282	BLACK SLIM TUB.BOILERS SUPPORT MYB9			
33	129573402	SCREW TAPT M4X10 DIN 7985 GALV			
34	11031208	HP/SLIM TUB.BOILER MDS/B 1900W 230V ASSY			
35	190800100	TEMPERATURE SENSOR NTC UL L=280MM			
36	12001280	SCREW TSP TORX 10 5X20 PLAST.ZN-B			
37	12001033	THERMOSTAT ONE SHOT 190°			
38	11001751	TUB.BOILER V3 UPPER THERM.FIXING SPRING			
39	128310402	GALV.WASHER UNI 8842 A4			
40	124390520	BRASS BENT FASTON 45° 6,3X0,8			
41	17000471	BLACK BOILER ANTIVIBRATION RYL			
42	12000892	OETIKER CLAMP D=9,5 16700004			
43	140328059	OR 2015 SILICONE PTFE/FDA			
44	17000156	BLACK HOT WATER PIN SUPPORT RYL			
45	128310521	WASHER UNI 8842 A5 SS			
46	11001054	BLK PUMP OUTLET 90°CONNECTOR P0049/B			
47	11022857	BLACK PUMP SUPPORT GMYB			
48	147920150	90° INLET PUMP CONNECTOR			
49	12000140	ULKA PUMP EP5/S GW 230V-50HZ			
50	17800202	2POLES CONNECTOR COFFEE PUMP RYL UL			
51	17001971	STEEL COFFEE TUBOL.BOILER SUPPORT RYL/H			

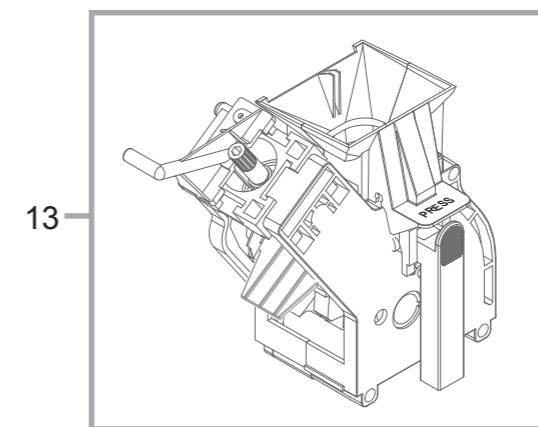
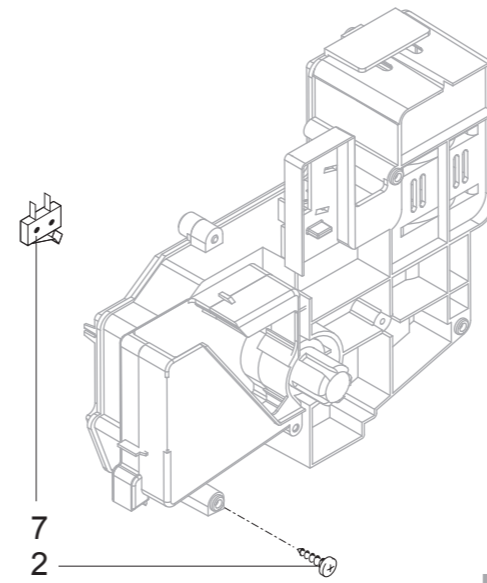
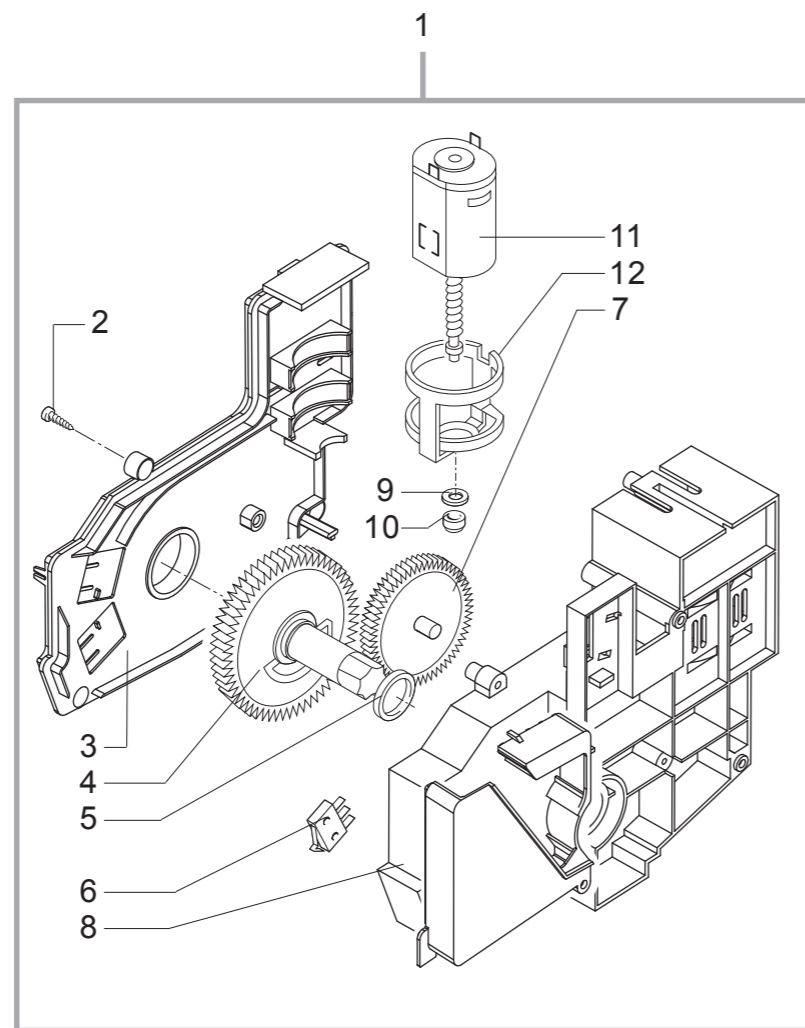


Pos	Article-Nr.	Description
1	11031090	TXO/BLK WATER CONTAINER LID RYL
2	17000174	BLACK WATER CONTAINER HANDLE RYL
3	224640200	WHITE WATER CONTAINER EXT.FILTER ASSY.
4	140328461	OR ORM 0190-10 EPDM
5	11025725	NAT/GREY WATER CONTAINER S/SCR.RYL ASSY.
6	140324362	OR ORM 0060-30 SILICONE
7	126764718	SS WATER CONTAINER VALVE SPRING
8	147660562	GREY PISTON FOR WATER CONTAINER VALVE
9	0701.031.150	GREY WATER VALVE GACO DIM 14 SEAL COVER
10	145842900	NBR WATER CONT.VALVE GACO DIM14 SEAL
11	12000895	SCREW TSP TORX 10 3X10 PLAST.SS
12	0701.014.150	GREY WATER VALVE GACO DIM 14 SEAL CONT.
13	140320461	OR ORM 0080-20 TERMOIL
14	17000982	BLACK DRIP TRAY COVER RYL
15	17000721	BA/SS DRIP TRAY GRATE RYL/H
16	17000991	RED FLOAT V2 FOR DRIP TRAY RYL
17	11031093	TXO/BLK DRIP TRAY RYL ASSY.
18	17000188	NAT/GREY BEAN CONTAINER RYL
19	11031089	TXO/BLK BEAN COF.CONT.LID RYL ASSY.
20	12001431	SCREW TCB TORX 10 3X12 PLAST.SS
21	17001255	BLACK PLUG FOR WATER CONTAIN.HANDLE RYL

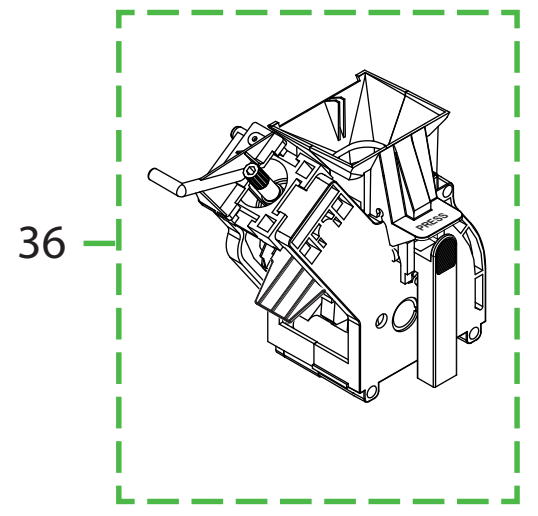
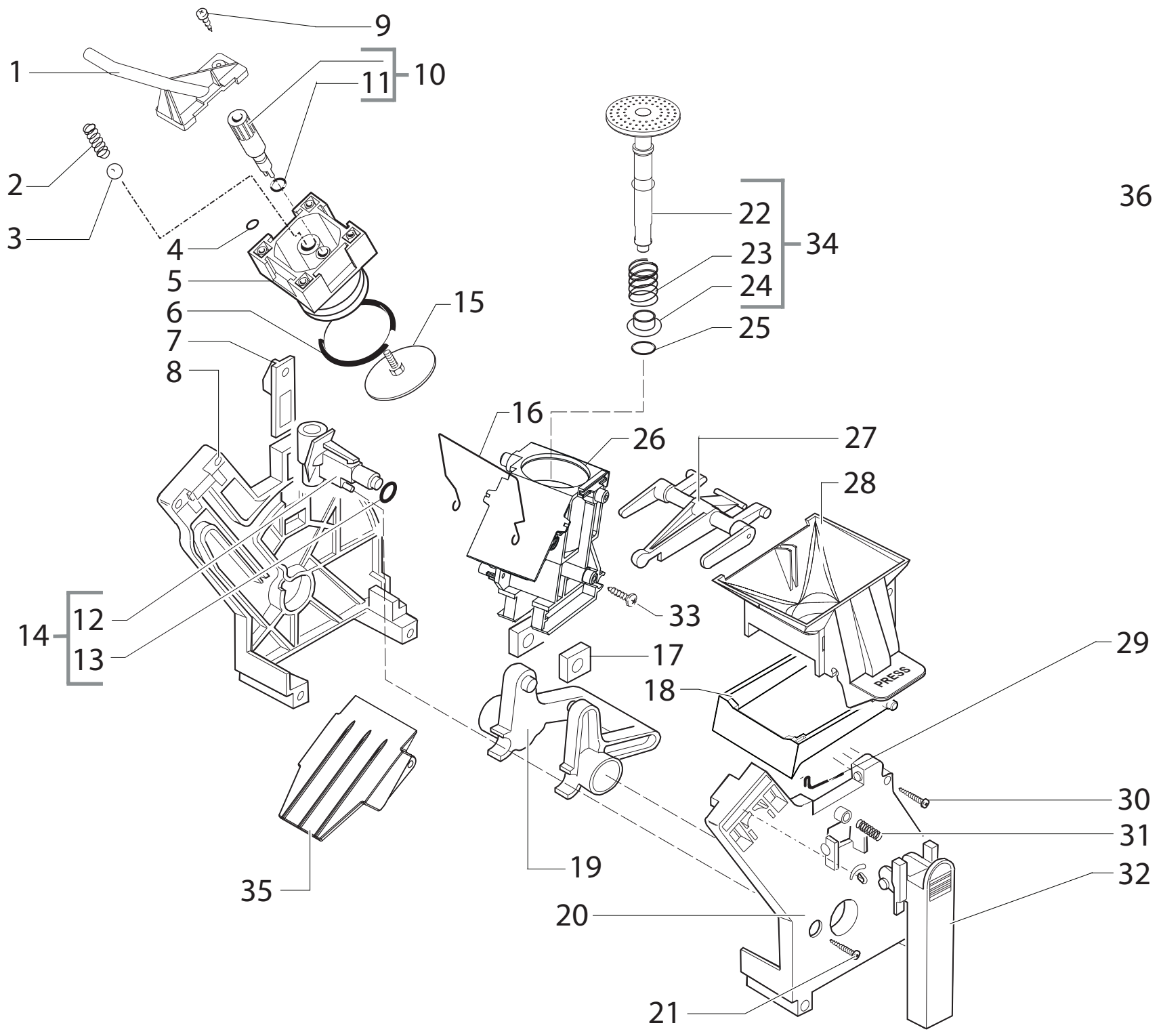
Pos	Article-Nr.	Description
-----	-------------	-------------



Pos	Article-Nr.	Description	Pos	Article-Nr.	Description
1	129913902	SCREW TCB TORX 10 3X12 PLAST.ZN-B			
2	9161.048	STEEL GROUND COF.DOSER SCRAPER ROD			
3	9161.076.150	GREY GROUND COF.DOSER DOOR PIN			
4	9161.074.150	GREY GROUND COFFE DOSER DOOR			
5	126764818	SPRING ELECTROM.BEAN DOSER MAGIC			
6	U701.003	SNAP RING 7 UNI 7434			
7	9161.041	STEEL GROUND COF.DOSER ELECTROMAGN.CORE			
8	421946000541	4P.CONN.COIL+DOSER MICRO V2 RYL UL ASSY.			
9	11025734	DOSER COIL FOR SUPERAUTOM.24V DC ASSY.			
10	NE05.017	MICROSWITCH			
11	9161.072.150	GREY MICRO SUPP.CURSOR GROUND COF.DOSER			
12	9161.073.150	GREY GROUND COF.DOSE CONTROL COMPENSATOR			
13	17000176	BLACK HOPPER FOR POWDER COFFEE RYL			
14	9161.082	RUBBER COUPLER			
15	421941300291	BLK/SIL.GRIND.ADJUS.LEVER HANDGRIP RYL			
16	9141.080	BLACK COFFEE GRINDER MOTOR SUPPORT			
17	140360200	FELT RING 40X34X5			
18	126770117	NEW SPRING SPHERE D=3,2 MOTOR MAGIG			
19	421946000531	2P.CONN.GRINDER MOTOR V2 RYL UL ASSY.			
20	1505.014	COFFEEGRINDER SEAL			
21	144320200	SELF LOCK STRIP W=2.6 L=200			
22	9140.036.00A	COFFEE GRINDER STD 230V ASSY.			
23	0301.R10.00A	SPARE MOTOR UNIT MC 230V			
24	U043.004	ZN-B TCB TORX 20 M4X16 ZN-B			
25	9991.005	RUBBER FOR COFFEE GRINDER			
26	9141.003	SPACER FOR RUBBER			
27	U324.006	NUT M4 FLANGED INDENTED BASE			
28	12001605	MICROSWITCH			
29	9161.365.150	GREY PLATE COFFEEGRINDER MAGIC/ROYAL			
30	128610521	STAIL.STEEL AISI 304 SPHERE D=5,5MM			
31	126765517	STEEL SPRING SPHERE D=5,5 MOTOR MAGIC			
32	9161.097.150	GREY GROUND COF.DOSER LEVER FIXING PLATE			
33	0313.003.150	7016/GREY GROUND COF.DOSER ADJUSTM.LEVER			
34	17000198	BLACK GRINDING ADJUSTM.LEVER RYL			
35	17000238	COFFEE GRINDER SOUNDPROOFING COVER RYL			
36	9991.103	ANTIVIBRATION FOR COFFEEGRINDER			
37	140230400	SHOCK ABS .CONICAL GRINDER SUPP.MAGIC			
38	U201.001	PLAIN WASHER 3,2X9 DIN 7349 GALV.			
39	9161.403.150	GREY COFFEE DOSE ADJUSTAMENT SCALE			
40	149186150	BLACK UPPER GRINDER SUPPORT MAGIC			
42	142844550	UPPER GRINDER COVER COFFEE GRIND. MAGIC			
43	129931002	TORX SCREW T10 TCB 3,5X40 SX ZNG			
44	147470763	BLK INCREASE SCREW PIN COF.GRINDER MAGIC			
45	U201.002	PLAIN WASHER 10X16X0,2DIN 988 GAL			
46	226473500	KIT TECNA GRINDERS			
47	149188750	CONICAL GRIND. SUPP. + RING MAGIC			
48	146570950	RING NUT FOR GRINDING ADJUSTMENT MAGIC			
49	128610421	STAIL.STELL AISI 304 SPHERE D=3,2MM			
50	12000450	SCREW TCBR TORX 10 3,5X12 PLAST.ZN-N			
51	17001155	GREY COVER FOR DOSER HOLE RYL			



Pos	Article-Nr.	Description	Pos	Article-Nr.	Description
1	11025736	RATIOMOTOR RYL ASSY.			
2	129670202	TCB PANELVIT SCREW 3,5X16 TESTA D=8 ZNP			
3	17000719	GREY RATIOMOTOR LID RYL			
4	11007137	BLACK GEAR Z=77 V2 FOR RATIOMOTOR P124			
5	9161.368	MYLAR WASHER FOR RATIOMOTOR			
6	NE05.038	MICROSWITCH SAIA XCG5-81-P5			
7	146002800	GREY GEAR Z=13/90 FOR RATIOMOTOR P124			
8	11026258	GREY RATIOMOTOR CASING WITH TUBE ASSY.			
9	148380200	BAKELIZZATE WASHER D=5,5			
10	9121.046	BRONZE SINTERED BUSH FOR MOTOR RATIOMOT.			
11	11005214	MOTOR FOR RATIOMOTOR P124 ASSY.			
12	9121.044	ANTIVIBRATION FOR MOTOR			
13	11031584	BLACK BREW UNIT RYL			



Pos	Article-Nr.	Description	Pos	Article-Nr.	Description
1	11003789	BLACK COFF.OUTLET SLEEVE BREW UNIT ROYAL			
2	9161.222	SS.CONICAL SPRING			
3	421944034451	BOROSILICATE SPHERE D.5 MM			
4	11021334	BLK COUNTERPISTON SEAL DE=11 DI=8 SP=1,4			
5	11003796	BLACK BREW UNIT COUNTERPISTON M5000			
6	NM01.044	OR ORM 0320-40 SILICONE PTFE/FDA			
7	11004114	BLACK BREW UNIT COUPLING PLATE			
8	421941158532	BLACK BREW UNIT REAR PLATE V2 M5000			
9	U140.019	SCREW TCB TORX 10 3X16 PLAST SS			
10	227470150	PIN BLACK ASS.FOR PERCOLATOR			
11	140324461	OR ORM 0060-20 TERMOIL			
12	9161.064.050	BLACK WATER INLET SLEEVE BREW UNIT ROYAL			
13	NM02.007	OR 2025 IN TERMOIL			
14	20000440	BLACK WATER INLET SLEEVE BREW UNIT ASSY.			
15	9160.075	PERCOLATOR DE=35,8 ELFO ASSY.			
16	11001556	SS BREW UNIT SPRING H=49 SMART			
17	9161.094.050	BLACK BREW UNIT DRILLED BLOCK			
18	11004161	BLACK SCRAPER FOR BREW UNIT M5000			
19	9161.066.050	BLACK BREW UNIT ELBOW SHAFT M5000			
20	11003793	BLACK BREW UNIT FRONT PLATE M5000			
21	12000550	SCREW TCB TORX 10 3X25 PLAST.SS			
22	11003077	BLK BREW UNIT INTEGRAL PISTON 8GR.ASSY.			
23	9161.198	SS.8GR.BREW UNIT PISTON SPRING			
24	9161.191	WHITE 8GR.-12GR.BREW UNIT PISTON BUSH			
25	NM02.018	OR ORM 0090-25 TERMOIL			
26	421944014611	BLK COF.CONTAIN.BREW UNIT V2 M5000 ASSY.			
27	11003078	BLACK CONNECTING ROD BREW UNIT 8GR.			
28	11003795	BLACK HOPPER COFF.BREW UNIT S/SCR.M5000			
29	9161.046	SS SCRAPER SPRING FOR BREW UNIT			
30	12000897	SCREW TCB TORX 10 3,5X20 PLAST.SS			
31	9161.045	SS BREW UNIT HANDGRIP SPRING M5000			
32	11003791	BLACK BREW UNIT HANDGRIP M5000			
33	129912521	SCREW TCB TORX 10 3,5X14 PLAST.SS			
34	11023086	BLK 8GR.BREW UNIT NTEGR.PISTON GEN.ASSY.			
35	17000663	BLACK BREW UNIT CONVEYOR SLIDE L=76,8			
36	11031584	BLACK BREW UNIT RYL			