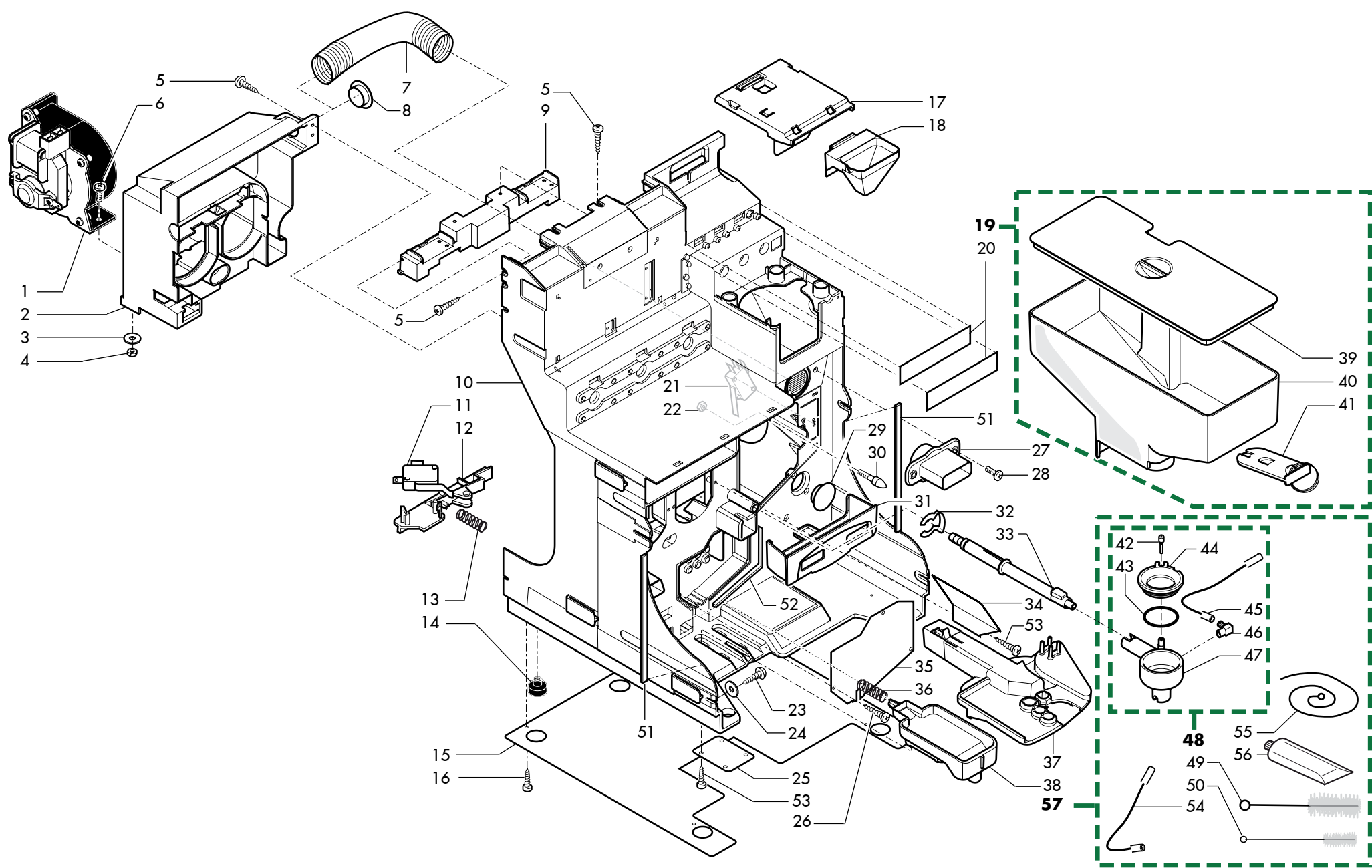
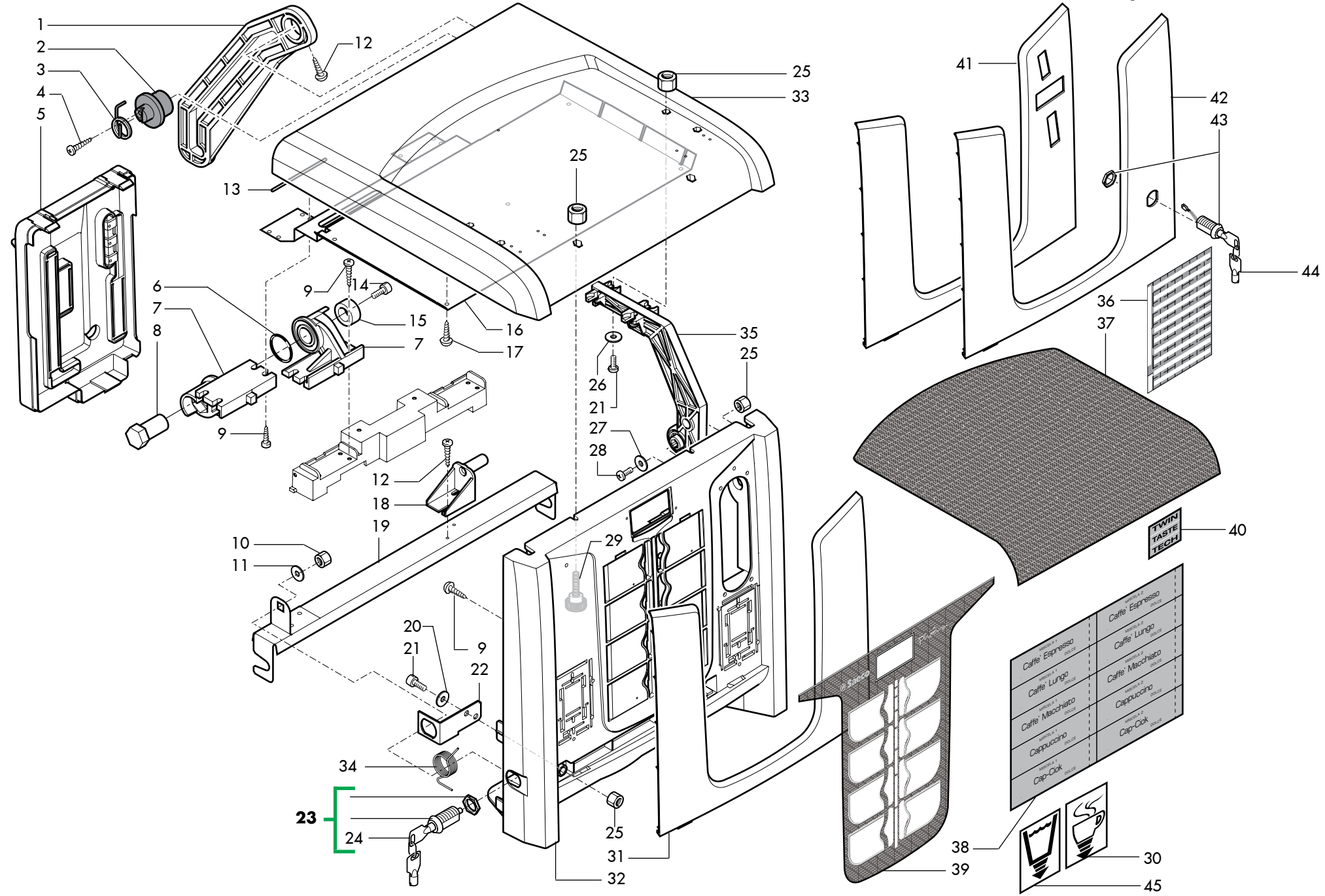


Pos	Article-Nr.	Description	Pos	Article-Nr.	Description
1	11008483	5P07 LEFT INSIDE LATERAL PANEL	50	11022256	
2	11010229	5P07 LEFT EXTERNAL LATERAL PANEL	51	U142.008	PANELVIT TSP 3,5X12 DIN 7505 A
3	NE16.009	GROMMET NOSTRUM 10476.1.2	52	11022259	
4	11013519		53	U201.001	PLAIN WASHER 3,2X9 DIN 7349 GALV
5	11009070	LATERAL PANEL HANDLING PLATE	54	U116.005	screw AUT.PT TCB 3,0X8 WN 14
6	U110.003	screw AUT.TCB 3,5X9,5 DIN 7981	55	11010800	INOX GRID FLOATING SIGNAL SUPPOR
7	11023545		56	145501211	RED FLOAT FOR DRIP TRAY SMART
8	11024108	PHEDRA REAR PANEL	57	11023139	5P07 WATER RECOVER BOX BLK CSA 5
9	9111.501	INSULATION WASHER	57	11007013	5P07 WATER RECOVER BOX BLK
10	U109.016	screw AUT.TCB 3,9X13 DIN 7981	58	11013030	ROTATION PIN COFFEE GRILL FOR RA
11	NV03.002	"CAP 3/4 ""KAPSTO 800R 3/4""	59	U701.006	SNAP RING 3,2 UNI 7434
12	NV01.009	RUBBER BUFFER	60	U044.018	screw TSPC M5,0X8 UNI 7688 GA
13	9111.088	ADHESIVE SEAL FOR ASPIRATOR	61	11012740	
14	U116.006	SCREW AUT.PT TCB 3,5X12 WN 1441	62	11011322	COIN CASE 5P07
15	NF11.115	BLIND RIVETS	63	11023494	PHEDRA GRATE FOR INOX-PLASTIC
16	11008501	SUPPORT FOR MICRO DOOR	64	11010552	INOX PLATE FOR TANK "L.+120MM"
17	NE05.039	BIPOLAR MICROSWITCH	65	U324.006	NUT M4 FLANGED INDENTED BASE
17	NE05.061	MICROSWITCH CHERRY D413 .V3LD	66	11023698	MAGNET GRATE PHEDRA
18	129768902	TC SCREW M5X16 UNI 6107 ZNP	67	U109.013	SCREW TCB 3,5X13 UNI 6954 NIK
19	U208.004	TOOTHED WASHER 3,8X7,5 UNI 370	68	11008363	LATERAL INSERT HIGH TANK 5P07
20	11008858	LOCK BUSH	69	11013019	COFFEE GRILL FOR PHEDRA RAISED
21	11007025	5P07 RIGHT INTERNAL LATERAL PANE	70	140321961	O-RING 2031 TERMOIL
21	11021494				
22	11009319	BUSH FOR BRACKET UPPER DOOR			
23	0875.442	SEAL AD U L.100 MM			
24	0875.441	GUARNIZIONE AD U L.40 MM			
25	11008481	BOILER/E/V IN SUPPORT PLATE			
25	11013989				
26	9111.411	RUBBER BUFFER FOR COMPARTMENT			
27	11008834	SOLENOID VALVE			
28	NE16.002	GROMMET D.11X20,5XH.7			
29	WGAND01/016	1/4" GAS NUT			
30	NV99.007	PRESS. REDUCER .1BAR 1/4 MRABIT			
31	9181.404	REDUCTION MF 1/4"X1/8" TEA			
32	11001054	BLK PUMP OUTLET 90°CONNECTOR P00			
33	U208.003	TOOTHED WASHER 5,1X9 BRU			
34	U046.005	screw TE M5,0X10 WITH WASHER			
35	15001721				
36	11010310	5P07 RIGHT EXTERNAL LATERAL PANE			
36	11021358				
37	11010228	RAISED 120MM 5P07			
38	11013017				
39	11013018				
40	11022525	SWITCH PLATE			
41	NV01.015	FOOT D.22 H.18 M6			
42	9991.206	MAGNET D.13 H.4,5 M5 MALE			
43	11013006	SPECIAL SPRING			
44	11013321	COIN CASE PHEDRA			
45	11007012	BEIGE DRAWER TRUST			
46	11008461	INOX PLATE FOR WATER TUB			
47	11007798	LATERAL INSERT TANK BLK 5P07			
47	11023135	LATERAL INSERT TANK BLK PHEDRA			
48	11022258	PHEDRA RX PLASTIC GRATE POSITION			
49	11022257	PHEDRA LX PLASTIC GRATE POSITION			



Pos	Article-Nr.	Description	Pos	Article-Nr.	Description
1	9121.009.00A	MOTOR WITH FAN 230V	49	12000431	BRUSH D.12
1	9121.009.00F	MOTOR WITH FAN 120V	50	12000430	BRUSH D.6
1	9121.009.00N	MOTOR WITH FAN 220V 60HZ	51	11012034	
1	9121.009.00R	MOTOR WITH FAN 100V 50/60HZ	52	11013140	
2	11007018	5P07 SOLUBLES MOTORS SUPPORT	53	U116.006	SCREW AUT.PT TCB 3,5X12 WN 1441
3	U207.002	PLAIN WASHER 4,3X9 UNI 6592	54	9972.056	SILICONE TUBE 3,5X6 L=500 MM DS
4	U302.003	GALV.NUT HEXAGONAL M4 UNI 5588	55	1022.018	SCRAPER ASS.FOR CAPPUCCINAT. TU
5	U110.005	screw AUT.TCB 3,9X9,5 DIN 7981	56	11005044	SAECO KLUBERLUB NH1 11-222 TUBE
6	129583102	SCREW TCB M4X12 AUTOFORMING ZN-B	57	11024106	SACK PHEDRA CAPPUCCINO ACCESSORI
7	11023377	TUBE			
8	12001070	POLYCAP COVER LPN600-053-IDPE			
9	11008350	UPPER HINGES PLATE			
10	11007010	5P07 MAIN ASSEMBLING PLATE			
11	NE05.059	MICROSWITCH SAIA WITH WHEEL L=2			
12	9161.202.150	GREY GROUNDS MICRO COMPENSATOR M			
13	9161.221	SS GROUND.MICRO SUPP.COMPENSATOR			
14	11011159	FOOT RUBBER 85SH FOR 5P07			
15	11023088				
16	U116.005	screw AUT.PT TCB 3,0X8 WN 14			
17	11011575				
18	11011573	5P07 INSTANT SOLUBLECONVEYOR			
19	11008835	COFFEE TANK ASSEMBLY 5P07			
20	0801.140	2 SIDE ADH. TAPE CABLE CHANN. SU			
20	15001860				
21	NE05.018	MICROSWITCH			
22	U302.001	nut HEXAGONAL M5 UNI 55			
23	U110.003	screw AUT.TCB 3,5X9,5 DIN 7981			
24	U207.004	PLAIN WASHER 4,3X16 UNI 6592			
25	11011330				
26	U142.008	PANELVIT TSP 3,5X12 DIN 7505 A			
27	11007019	CONVEYER ASP.3MIXER 5P07			
28	U005.017	SCREW TE M5,0X12 UNI 5739 G			
29	12001365				
30	11006046	PEG FOR BOILER			
31	11007799	BOX MIXERS ASPIRATION 5P07			
32	11013847				
33	11013846	ASS.TUBE CAPPUCCINATORE PHEDRA			
34	11013141	PHEDRA WASTE CONTAINER PLATE			
35	11008460	VAIN OF DRAIN COVER PLATE			
36	11011321				
37	11007011	5P07 NOZZLES SUPPORT			
38	11010482	H120 CONVEYOR 5P07			
39	11007015	5P07 COFFEE CONTAINER COVER			
40	11007014	COFFEE CONTAINER 5P07			
41	11010736	ASS.GUILLOTINE COFFEE			
42	11013988	PIN BRASS FOR CAPPUCCINATORE TEA			
42	148870150	BLACK CAPPUCCINATORE PIN			
43	140322500	O-RING 2118 NITRIL RUBBER			
44	142801650	BLACK CAPPUCCINAT.CASING LID NEU			
45	9972.072	SILICONE TUBE 3X5 L.600 MM			
46	9991.122.050	CONN. FOR CAPPUCCINATORE BLACK			
47	142901350	BLACK CAPPUCCINATORE CASING			
48	142520150	CAPPUCCINATORE AS.NEUTRAL BLACK			
48	11021694	BLACK CAPPUCCINATORE ASS.			

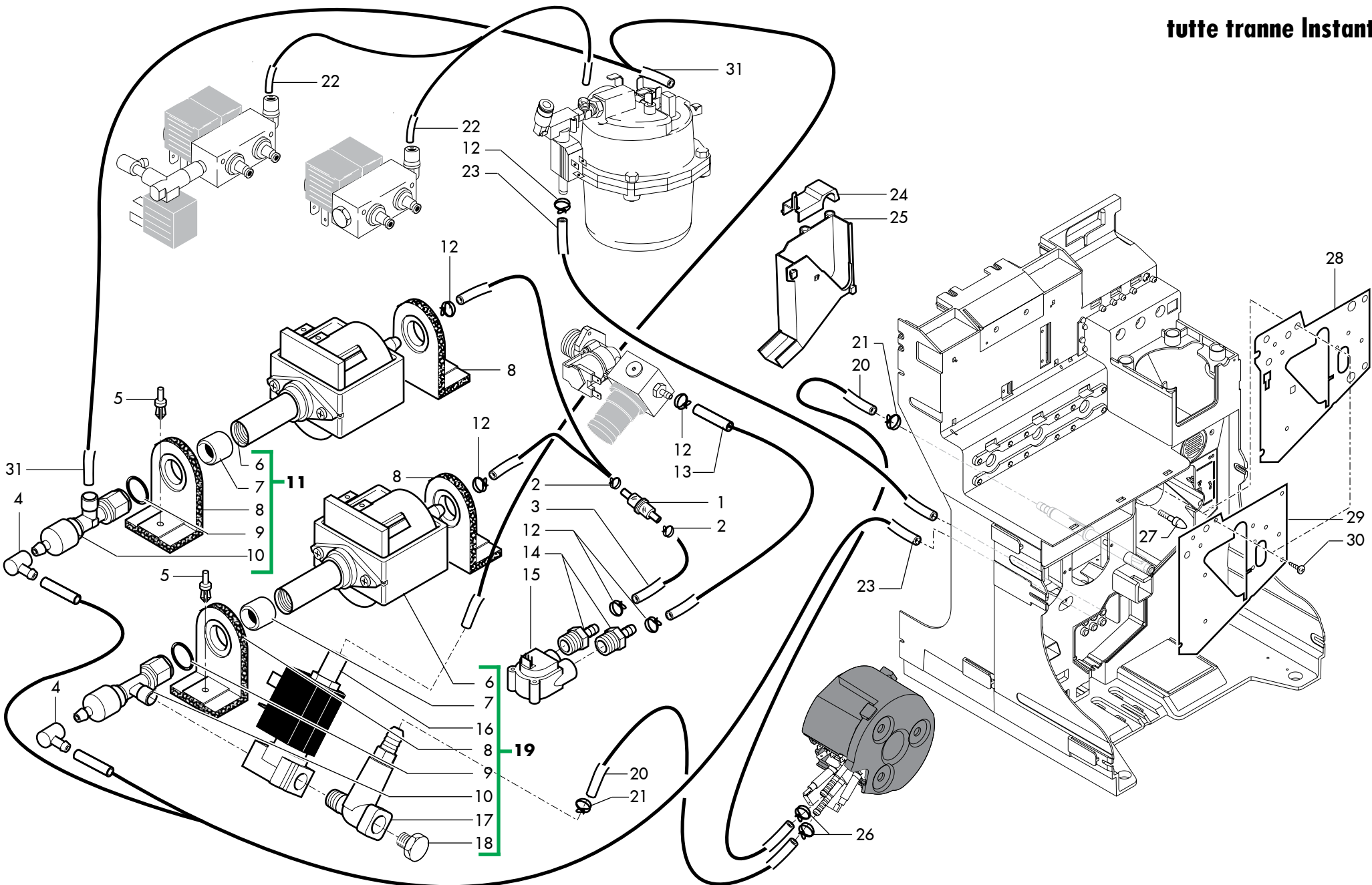


MISCELA 1 Caffè Espresso <small>100 ml</small>	MISCELA 2 Caffè Espresso <small>100 ml</small>
MISCELA 1 Caffè Lungo <small>150 ml</small>	MISCELA 2 Caffè Lungo <small>150 ml</small>
MISCELA 1 Caffè Macchiato <small>100 ml</small>	MISCELA 2 Caffè Macchiato <small>100 ml</small>
MISCELA 1 Cappuccino <small>150 ml</small>	MISCELA 2 Cappuccino <small>150 ml</small>
MISCELA 1 Cap-Click <small>100 ml</small>	MISCELA 2 Cap-Click <small>100 ml</small>

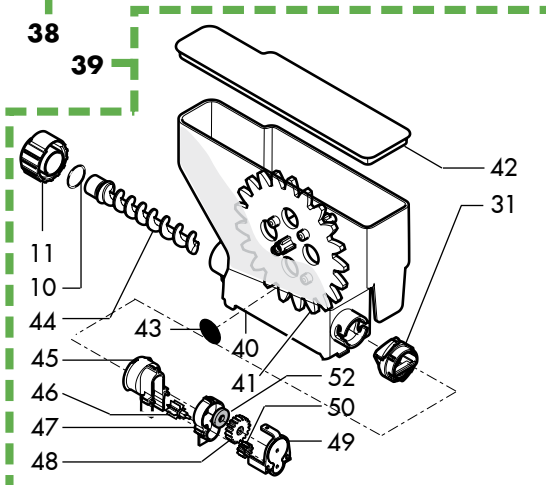
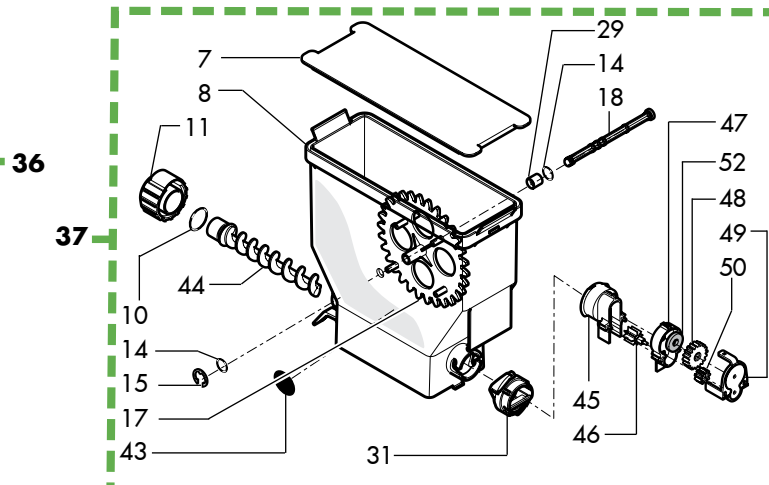
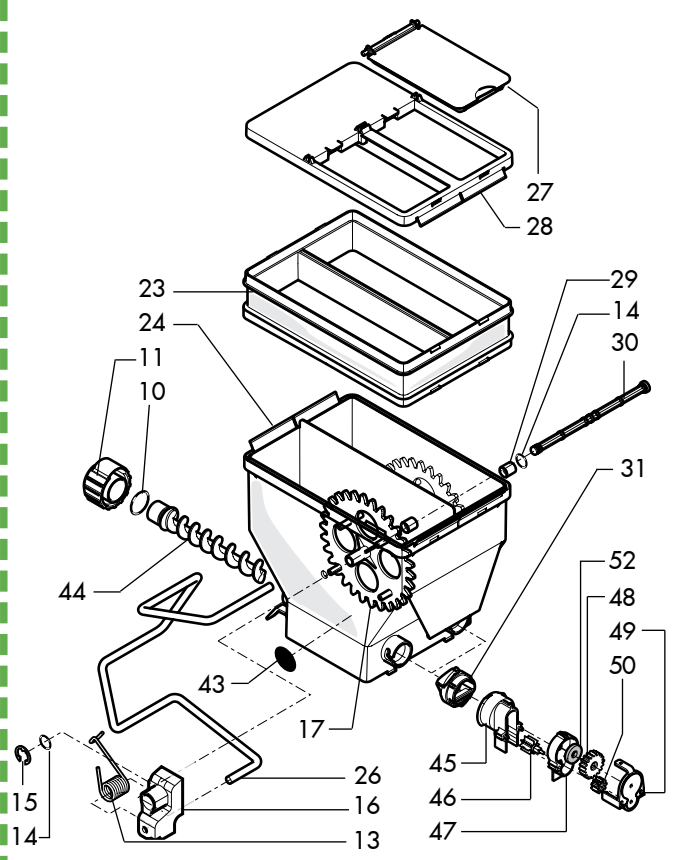
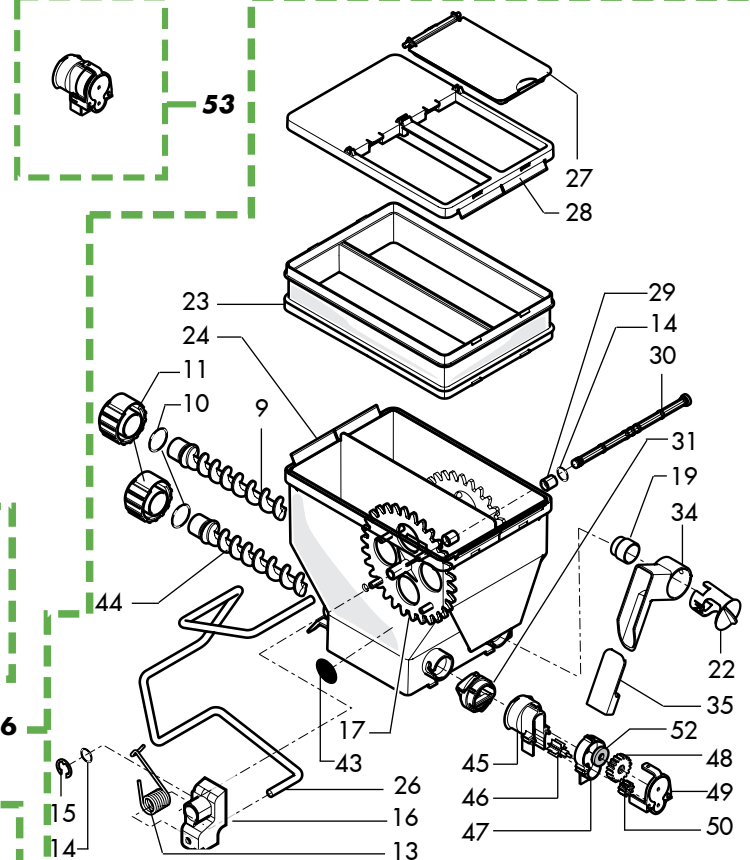
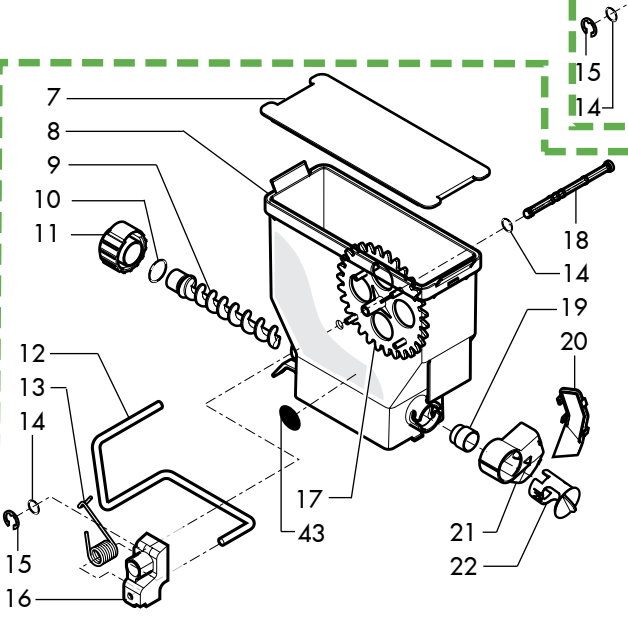
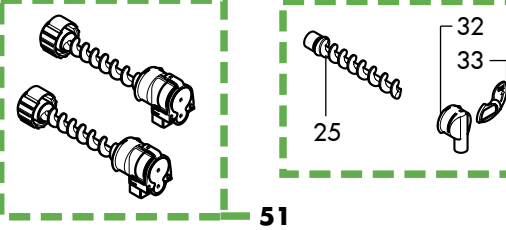
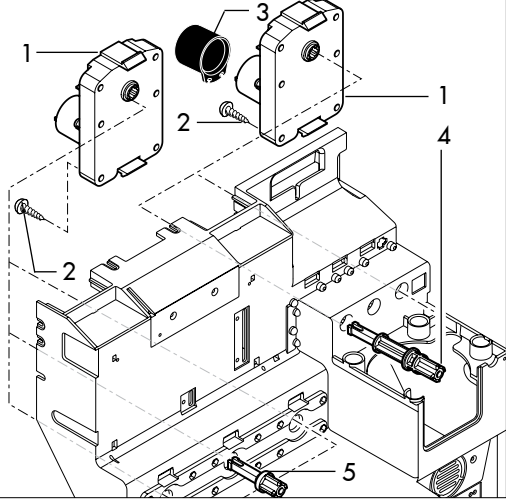


TWIN
TASTE
TECH

Pos	Article-Nr.	Description	Pos	Article-Nr.	Description
1	11009374	DOOR STIRRUP UPPER 5P07	44	20007220	KEY MERONI 3H1833CTCC- KA0514520
2	11009376				
3	11009556	SPRING RIGHT FOR DOOR STIRRUP 5P			
4	U111.001	screw AUT.TSP 2,9X9,5 DIN 7982			
5	11007795	CPU CARTER BLK 5P07			
6	NM01.026	O-RING 121 SILICONE			
7	11007023	HINGE FOR ROOF 5P07			
8	11008967	PIN FOR HINGE 5P07			
9	U116.006	SCREW AUT.PT TCB 3,5X12 WN 1441			
10	U302.006	nut HEXAGONAL M10 UNI 55			
11	U208.008	TOOTHED WASHER 10,5X18 UNI 370			
12	U110.003	screw AUT.TCB 3,5X9,5 DIN 7981			
13	0875.441	GUARNIZIONE AD U L.40 MM			
14	U023.019	SCREW TCEI M8X20 UNI 5931 ZIN			
15	11010862	BUSH HINGE 5P07			
16	11011549				
17	U109.003	SCREW TCB 3,5X9,5 DIN 7981 C NIC			
18	11008351	CLOSING DOOR PLATE SUPPORT			
19	11008487	SUPPORT PLATE FOR CLOSING DOOR			
20	U208.006	TOOTHED WASHER 6,4X11 UNI 370			
21	U043.015	screw TCBC M5,0X12 UNI 7687 GA			
22	11008488	LOCK REINFORCING PLATE			
23	12001011	LOCK MERONI 3351MM.3190SX1U KA-4			
24	1482.R02	KEY FOR DOOR MB DA 8P			
25	U301.002	HEXAGONAL NUT M5 UNI 5587			
26	U207.001	PLAIN WASHER 5,3X10 UNI 6592			
27	U212.005	WASHER 5,3X20X1,5 GALV.			
28	U043.014	screw TCBC M5,0X20 UNI 7687 GA			
29	9111.307.270	STIRRER PLATE KNOB 8P			
30	U005.014	screw TE M5,0X25 UNI 5739 GALV			
31	11007797	FRONTAL PANEL SP 5P07			
32	11007021	5P07 UPPER DOOR BLK			
32	11023131				
33	11023133				
33	11007020	5P07 UPPER DOOR BLK			
34	11025929	CONTRAST SPRING			
35	11009375				
36	0701.995	PRICE LABELS BLACK EURO			
36	0775.989	PRICE LABELS WHITE EURO			
37	11008739	ADHESIVE FRONT PLATE FOR UPPER C			
38	15001435	PRODUCTS LABEL'S SHEET 5P07 ITA			
38	15001551				
38	15001552	PRODUCTS LABEL'S SHEET 5P07 FRA			
38	15001553				
38	15001554				
38	15001555				
38	15001556				
38	15001889				
38	15004160	PRODUCTS LABEL'S SHEET PHEDRA NL			
39	11008740	ADHESIVE FRONT PLATE FOR TOUCH P			
40	15002044				
41	11012649	FRONTAL PANEL SP 5P07			
42	11031767	FRONTAL PANEL KEY PHEDRA SIL			
43	12001931	LOCK MERONI 3355/11KA+HARNESS			

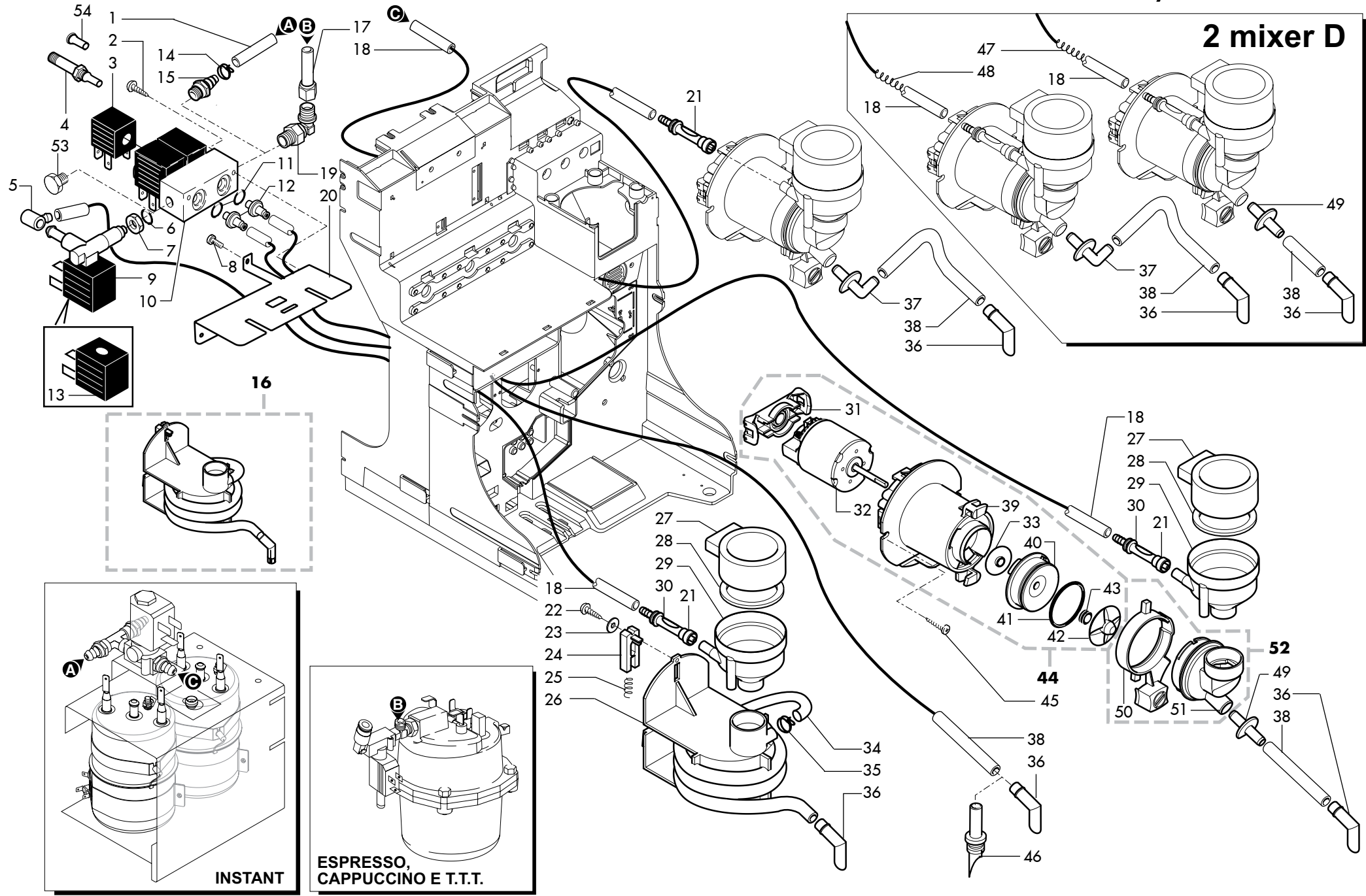


Pos	Article-Nr.	Description	Pos	Article-Nr.	Description
1	11024178	WATER FILTER PHEDRA			
2	NV99.072	HOSE CLAMP D. 11.6/12.3			
3	9972.247	SILICONE TUBE 5X10 60SH L=2000			
4	147920150	90° INLET PUMP CONNECTOR			
5	NF11.005	RIVET ITW D.5,5			
6	9070.034.00A	POMPE ULKA EP7			
6	9070.034.00F	ULKA PUMP EP7 120V			
6	9070.034.00R	ULKA PUMP EP7 100V 50/60HZ			
6	9070.042.00A	ULKA PUMP EX5 SD1			
6	9070.042.00N	ULKA PUMP EX5 SD1			
7	9071.098	REINFORCEMENT FOR ULKA PUMP			
8	149185850	EATON PUMP SUPPORT 4002012 MAGIC			
9	140321961	O-RING 2031 TERMOIL			
10	11005590	SAFETY VALVE/NON RETURN ASS. NEW			
11	11025335	ASS.PUMP 220V/60HZ PHEDRA			
11	11025337	ASS.PUMP 230V 5P07			
11	11025340	ASS.PUMP 120V PHEDRA			
11	11027123	PUMP EP7 T3X6 230V PHEDRA TTT			
12	NV99.077	TUBE-TIGHTENING CLAMP D=9.8/10.6			
13	9972.342	SILICONE TUBE FABRIC 5X9 L.160M			
14	11009215	RUBBER HOLDER FOR FILTER			
15	NV99.033	DIGMESA TURBINE IN PLASTIC			
16	11021437				
17	11008017	SAFETY VALVE 3,5 -4 BAR			
18	NR07.040	BRASS CAP 1/8 GAS CONICAL			
19	11030389	PUMP EP7 T3X6 230V PHEDRA TTT CA			
19	11025336	ASS.PUMP 230V PHEDRA CAPPUCCINO			
19	11024994	PUMP 100V PHEDRA TTT CAPPUCCINO			
20	11021691	SILICONE TUBE 5X9 L.360 MM			
21	NV99.087	BAND D=11/11,6			
22	11025296	TEFLON TUBE 3X6 L.250 1/8"-1/8			
23	9972.022	SILICONE TUBR 5X8 L.2MT			
24	9161.262.060	DRIP CHANNEL COVER			
25	9111.597.050	COFFEE DISCHARGE CHANNEL SHORT			
26	11021690				
27	9011.005	PEG FOR BOILER			
28	11013925				
29	11007017	DRIP CANAL PLATE 5P07			
30	U142.008	PANELVIT TSP 3,5X12 DIN 7505 A			
31	11025342	TUBE ASS.TEFLON 4X6 L.400 1/8"-1			

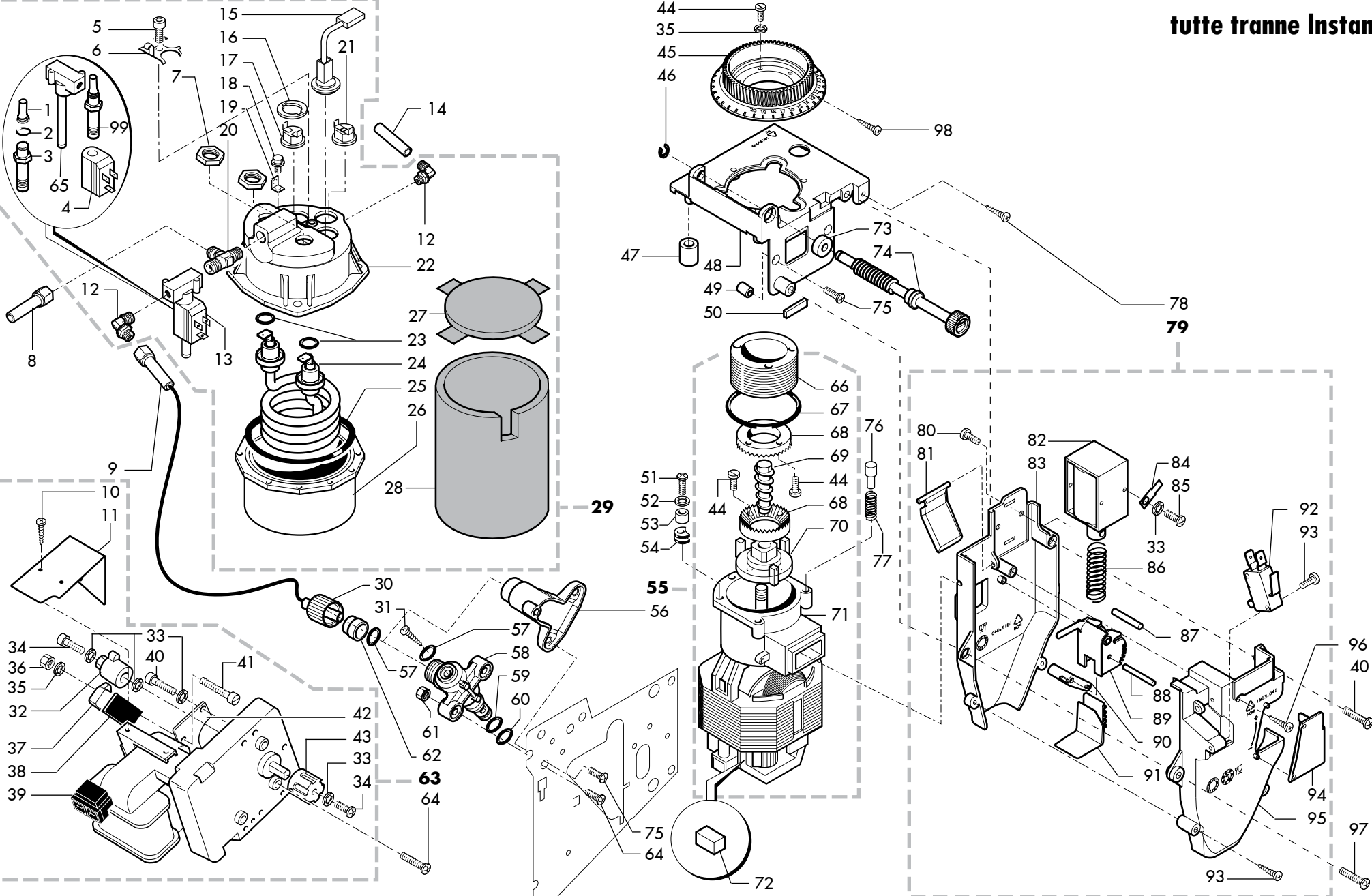


Pos	Article-Nr.	Description	Pos	Article-Nr.	Description
1	9121.216.00P	RATIOMOTOR 90 RPM 24V			
2	U109.002	NIK.SCREW TCB 3,5X25 DIN 7981 C			
3	9121.155	HOOD FOR RATIOMOTOR			
4	11011561				
5	9111.586.050	PIN FOR MOTORS KENTA			
6	11024983	ASSEMBLED DOUBLE TANK			
7	11007974	COVER CONTAINER SOLUBLE			
8	11001576	BASE CONTAINER SINGLE SOLUBLE			
9	11001658	SCROLL SCREW			
10	NM03.013	OR 2,3X15 NBR			
11	11012130	BACK BUSH REINFORCE			
12	11007975	WIRE AGITATOR CHOCOLATE CONTAINE			
13	9111.731	SPRING			
14	NM03.022	OR ORM 0060-10 NBR			
15	U701.003	SNAP RING 7 UNI 7434			
16	11007155	AGITATOR SUPPORT			
17	9111.702	WHEEL DOUBLE CONTAINER			
18	11001580	PIN WHEEL CONTAINER SINGLE SOLUB			
19	11001654	BUSH CONTAINER			
20	11013386				
21	11013385				
22	9111.457.060	BUSH FOR LEFT/RIGHT DUCT COSMEC			
23	11007016	40MM SOLUBLES CONTAINER PROLONG			
24	9111.680	BASE CONTAINER DOUBLE SOLUBLE			
25	9111.701	SCROLL SCREW DOUBLE CONTAINER			
26	9111.736	WIRE AGITATOR			
27	9111.683	SOLUBLE COVER			
28	9111.682	COVER CONTAINER DOUBLE SOLUBLE			
29	9111.704	BUSH FOR WHEEL			
30	9111.703	DOUBLE PIN FOR WHEEL			
31	9111.630.060	BUSH FOR POWDERS TANK			
32	9111.629.060	Aperture for solubles hopper			
33	9111.338.270	BULKHEAD FOR APERT. CLOSURE ORAN			
34	9111.425.060	POWDER DUCT			
35	9111.428.060	PLUG FOR LEFT-RIGHT DUCT			
36	11013493	ASSEMBLY SOLUBLES CONTAINER PHED			
37	11025774	ASSEMBLED SINGLE TANK			
38	11024986	ASSEMBLED DOUBLE TANK			
39	11024985	ASSEMBLY SINGLE CONTAINER			
40	11011559				
41	11013004				
42	11011560	COPERCHIO CONT. SMALL INSTANT 5P			
43	9111.646	ADHESIVE FOR TANK			
44	11005180	SCROLL SCREW FOR NEW DISPENSER A			
45	11005181	NEW DISPENSER APERTURE			
46	11005169	DISPENSER FAN			
47	11005167	CARTER FOR GEAR			
48	11005183	WHEEL Z=18			
49	11005168	LID CARTER GEAR			
50	11005182	WHEEL Z=9			
51	21001290	KIT NEW POWDER DISPENSING SYSTEM			

2 mixer D

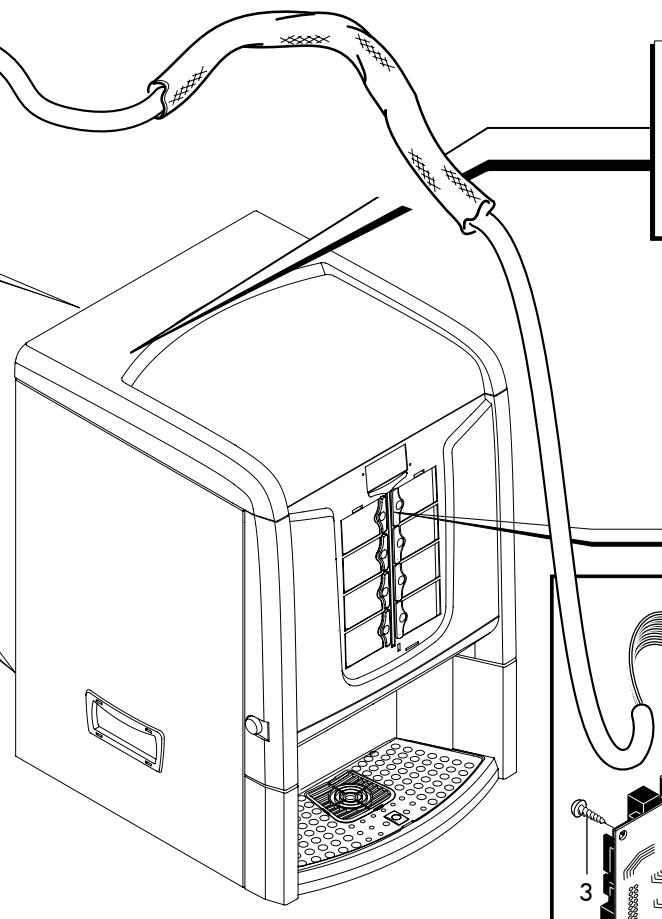
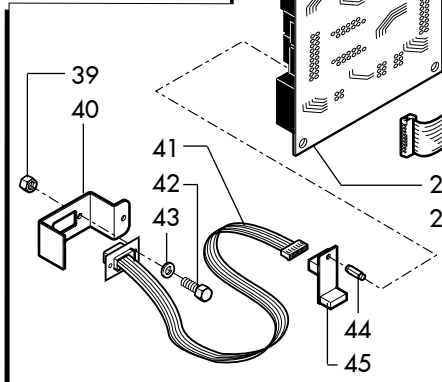
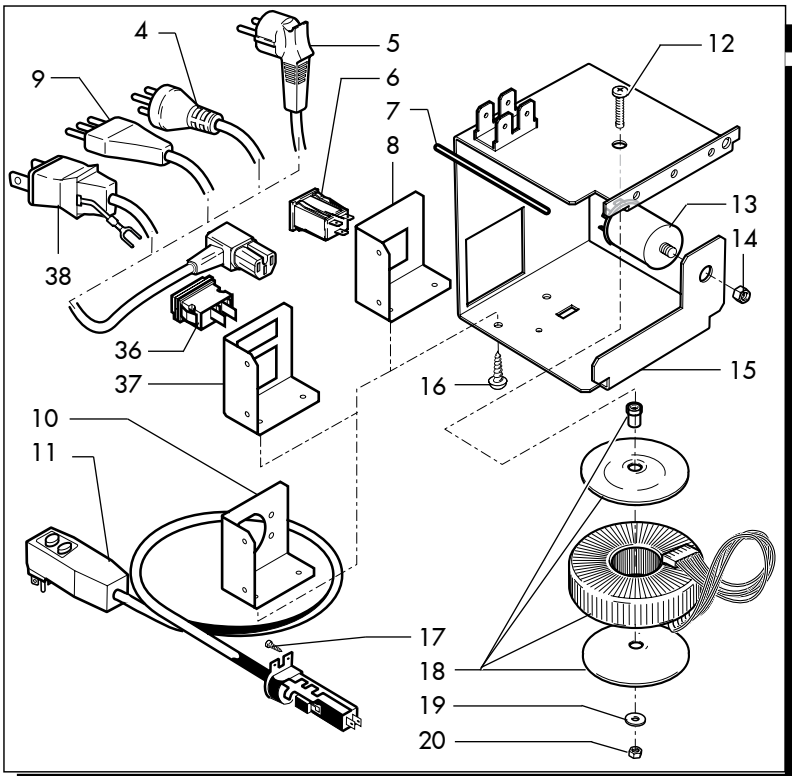
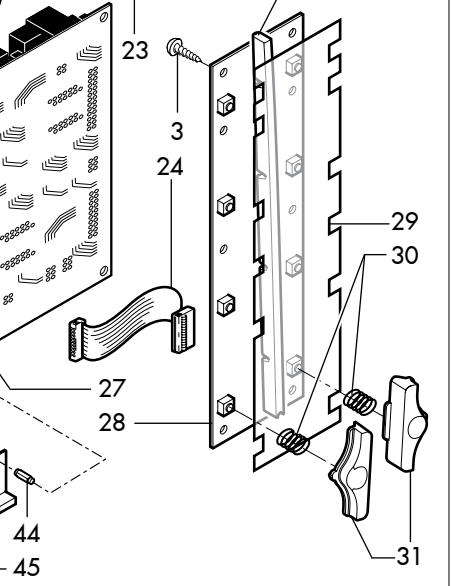
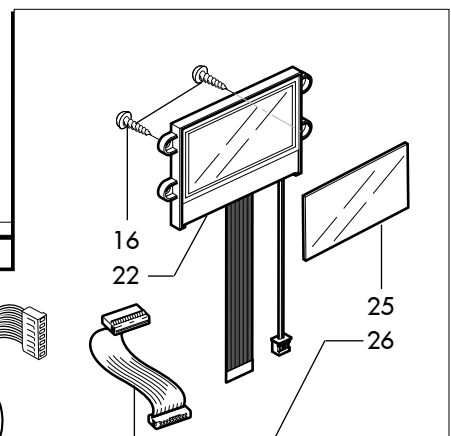
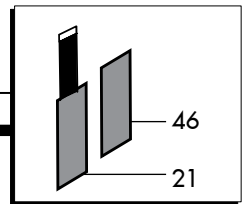
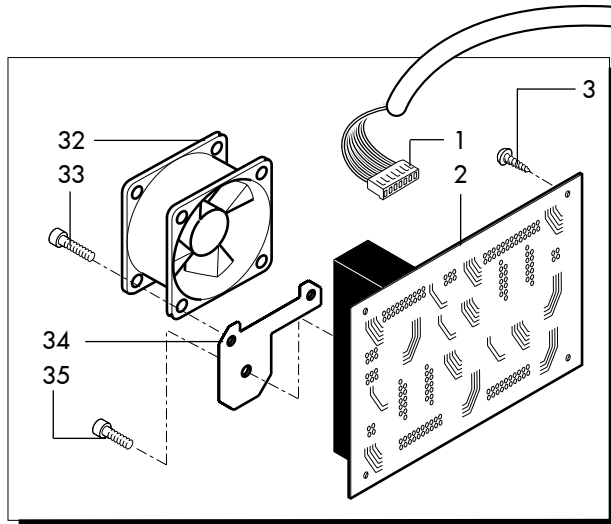


Pos	Article-Nr.	Description	Pos	Article-Nr.	Description
1	11001206	PINK 5X8,9 SILICONE TUBE L=200 M	51	9111.227.060	MIXER CASING
1	9972.343	TUBO SILICONE TELATO 5X9 L=200 M	52	9110.027.060	MIX CASING ASS.
2	129516803	SCREW TCB3,5X19 DIN 7981 NICK	53	NR07.040	BRASS CAP 1/8 GAS CONICAL
3	20005373	SOLENOID X HS1 11023762			
4	20005374	ASS.NUCLEUS 6000BH/BODN X 110092			
5	147920150	90° INLET PUMP CONNECTOR			
6	140321462	O-RING 2018 SILICONE			
7	9991.035	NUT 1/8 H 4.5			
8	U143.022	screw T.M.T. K.F.R. 3,5X9,5 ZN			
9	11027286	ELETTROVALVE 24V DC TEA			
10	11026112	2 E/V 3 WAYS 5P07 BLOCK TEA			
11	NM01.004	OR 2025 SILICONE			
12	11011453	RUBBER HOLDER CONNECTOR TEA			
13	0862.R03	COIL FOR SOLENOID VALVE 2 WAY			
14	12000892	OETIKER CLAMP D=9,5 16700004			
14	NV99.036	HOSECLAMP D=8,5 09993.41.00			
15	NR07.013	STD TOOTHED CONN. M 1/8X06 NICK			
15	11006304	TEA/BRASS CONNECTOR FOR ALUM.BOI			
16	11008891	ASS.MIXER THE' 5P07			
17	11025296	TEFLON TUBE 3X6 L.250 1/8"-1/8			
18	9972.247	SILICONE TUBE 5X10 60SH L=2000			
19	11025082	1/8"G M/CONICAL ORIENT. NUT/OGV			
20	11022750				
21	11022846				
22	U116.005	screw AUT.PT TCB 3,0X8 WN 14			
23	U207.004	PLAIN WASHER 4,3X16 UNI 6592			
24	9111.209.060	CURSOR FOR SPIRAL MIXER FIXING			
25	9111.211	SPRING FOR MIXER CURSOR			
26	9111.643.060	RAPID FIXING MIXER			
27	9111.010.060	LID FOR FUNNEL BROWN			
28	9111.011.060	SEAL FOR FUNNEL BROWN			
29	9111.009.060	FUNNEL FOR POWDERS BROWN			
30	1863.A07	ESPRESSO NOZZLE			
31	9111.771.270	MOTOR COUPLING ORANGE RAL			
32	9121.248.00P	MIXER MOTOR '05 24V DC			
33	9111.773.060	MOTOR PROTECTION RING			
34	9972.320	SILICONE TUBE 7X11 L.2000MM			
35	NV99.072	HOSE CLAMP D. 11.6/12.3			
36	1813.109.050	NOZZLES			
37	9111.164	CONNECTOR FOR MIXER			
38	9972.057	SILICONE TUBE BROWN 5X8 L.2000			
39	9111.769.150	MIXER FLANGE			
40	9111.770.060	COVER MIXER FLANGE			
41	NM03.012	OR ORM 0320-25 NBR			
42	9111.772.060	DISK FAN			
43	NM05.015	V-RING MIXER '05			
44	9110.160.06P	ASS.MIXER '05 24V DC			
45	U109.003	SCREW TCB 3,5X9,5 DIN 7981 C NIC			
46	9111.348	STRAIGHT DISPENSING NOZZLE			
47	11013723				
48	11013722				
49	9111.232.060	STD TUBE HOLDER SLEEVE			
49	9111.233.060	DECAFF.TUBE HOLDER SLEEVE			
50	9111.230.270	MIXER LOCKING RING NUT ORANGE RA			

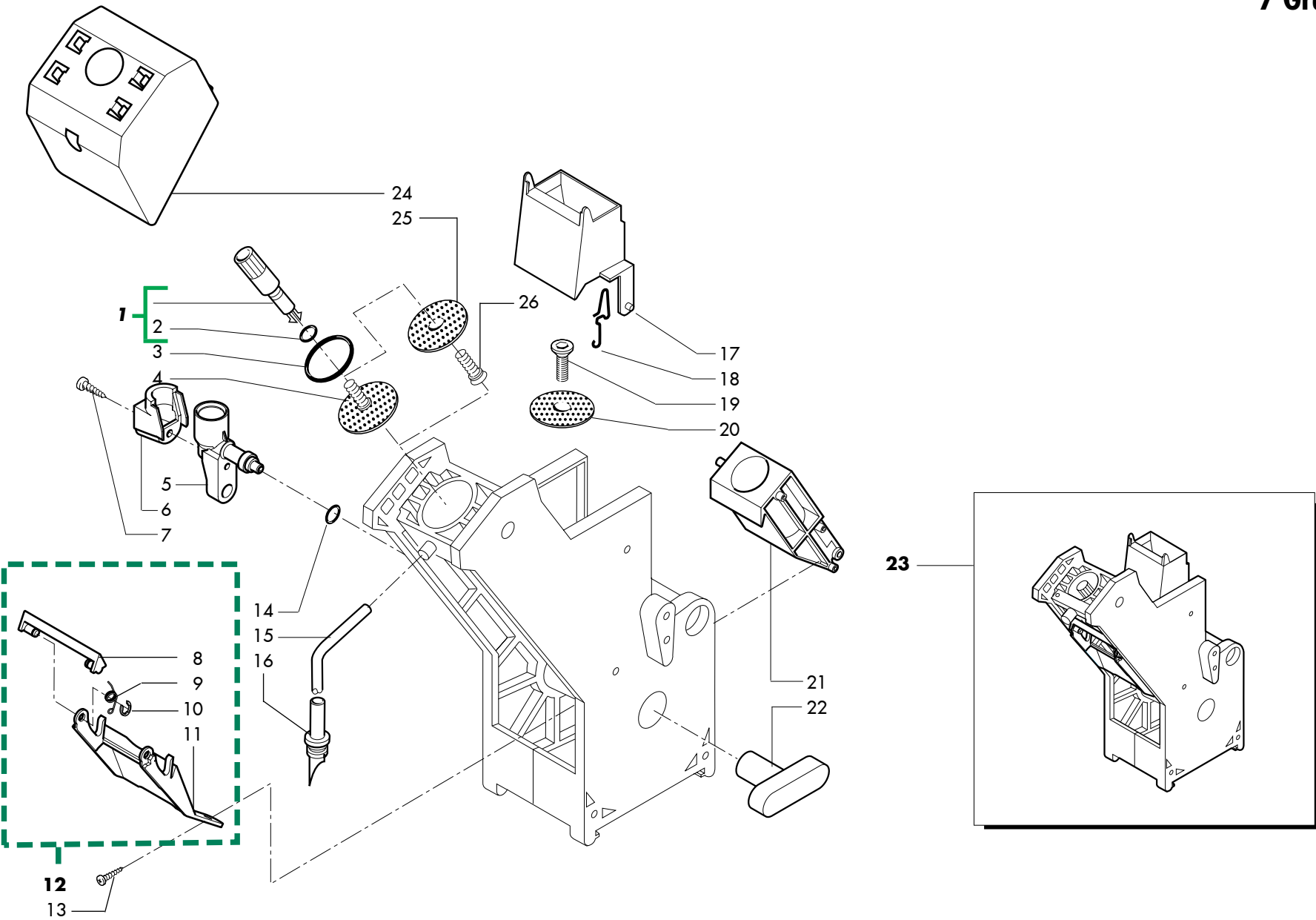


Pos	Article-Nr.	Description	Pos	Article-Nr.	Description
1	0862.R16	ASS.NUCLEUS	45	11027723	RING NUT OF GRIND REGULATION
2	0862.R17	ORM 0-100 10X1.5 NBR UP COIL	45	1813.103.A20	RING NUT OF GRIND REGULATION
3	0862.R15	ASS.TUBE 3/2 WAYS	46	U701.011	STEEL SNAP RING 5 UNI 7434
4	0862.R07	SOLENOID FOR MM VALVE 3 WAY 24V	47	1813.046.050	RUBBER GRIND SUPPORT
4	20005373	SOLENOID X HS1 11023762	48	1813.045.A20	GRIND SUPPORT
5	12001052	SCREW TCEI M4,0X6 DIN 912 ZIN	49	1813.097.A20	SPACER
6	226830200	RETAIN.SPRING 3 THERM. +THERMAL	50	1813.177	SUPPORT SEAL
7	9991.029	NUT FOR RESISTOR	51	U043.004	ZN-B TCB SCREW M4X16
8	11025296	TEFLON TUBE 3X6 L.250 1/8"-1/8	52	U203.001	PLAIN WASHER 4,3X8 UNI 1749
9	11025406	TUBE ASSEMBLY TEFLON 3X6 L.250MM	53	9141.003	SPACER FOR RUBBER
10	129511903	SCREW TCB 2,9X6,4 DIN 7981 BZ N	54	9991.005	RUBBER FOR COFFEE GRINDER
11	11014251		55	11013715	
12	11025082	1/8"G M/CONICAL ORIENT. NUT/OGV	55	11024998	ASS.MOTOR FOR COFFEE GRIND 100V
13	11023762	ELECTROVALVE OLAB 3 WAYS 24V DC	55	11009741	ASS.MOTOR FOR COFFEE GRIND 220/2
14	11025342	TUBE ASS.TEFLON 4X6 L.400 1/8"-1	56	11013431	
15	11000316	ASSEMBLY HORIZONTAL SENSOR SG200	57	140321462	O-RING 2018 SILICONE
16	9991.085	THERMOSTAT FIXING WASHER	58	11005370	PIN FOR MUFF
17	NE09.021	THERMOSTAT 150°NC FASTON 90°	59	11013173	OR ORM 0090-20 FKM 80 FD GREEN P
18	U023.020	SCREW TCEI M6X20 UNI 5931 ZIN	60	11013174	OR ORM 0050-20 FKM 80 FD GREEN P
19	NE15.031	MALE TONGUE PLAIN 6,3 D.6,3	61	U302.003	GALV.NUT HEXAGONAL M4 UNI 5588
20	11011454	""T"" CONNECTOR FOR BOILER TEA	62	11005741	CONNECTOR D.6
21	189428700	THERMOSTAT 175° 1NT-15L-5126	63	11008960	RATIOMOTOR 230V 5P07
22	11002259	UPPER DOSER CASING M6 TEA	63	11024990	RATIOMOTOR PHEDRA TTT CAPP.100V
23	11000972	OR 3050 FKM 80 FD PEROXIDICA	63	11022071	
24	11007580	RES CALD. V230 W1000 INC.800	63	11023412	
24	11007593	RES CALD. V120 W1000 INC.800	63	11027117	RATIOMOTOR PHEDRA TTT 230v
24	11007597	RES CALD. V100 W1000 INC.800	64	U044.016	screw TSP M4,0X16 UNI 7688 GA
25	NM04.010	OR ORM 0730-40 FPM 70+-5 IRHD BL	65	129761402	TC SCREW M3X8 UNI 6107 ZNP
26	9011.226	UPPER OVERSIZE CASING M6 VENDING	66	9141.008	KNOB ADJUSTMENT SCREW
27	9011.254	BRASS BOILER ISOLATOR	67	140321560	O-RING 3187 NBR
28	9991.161	WATER +STEAM BOILER STRAP L=250	68	126520119	GRINDER FOR MOTOR TYPE BATTISTI
29	11025325	BOILER ASS.PHEDRA 120V TEA CSA	69	9141.001	BRASS NCREMENT SCREW MC
29	11025326	BOILER PHEDRA 230V	70	9141.007	FAN
29	11024993	BOILER PHEDRA TTT CAPP.100V TEA	71	9140.002.00A	MOTOR ASS.WITH CAP 230V
30	11005743	KNURLED FEMALE HAND BOLT M14	71	9140.002.00F	MOTOR ASS.WITH CAP 120V
31	U109.037	screw AUT.TCB 4,8X13 DIN 7981	72	0701.R34	MOTOR BRUSH
32	9991.037	CAM FOR RATIOMOTOR 1 MICRO	73	1813.159	ANTIVIBRATION RUBBER
32	11003525	CAM COFFEE GROUP FRESH BREW	74	1813.104.A20	ADJUSTMENT SCREW WITH TUBE HOLD
33	128310404	WASHER UNI 8842 A4 BURNISHED	75	U044.022	screw TSPC M5,0X8 UNI 7688 GA
34	129824002	TCB SCREW M4X10 UNI 7687 ZNP	76	9141.005	KNOB PIN
35	U208.002	TOOTHED WASHER 3,3X5,8 UNI 370	77	126769118	SPRING FOR KNOB STOP PIN (H=19)
36	U302.002	nut HEXAGONAL M3 UNI 55	78	U116.006	SCREW AUT.PT TCB 3,5X12 WN 1441
37	NE05.066	MICROSWITCH CHERRY D419Q1A	79	1813.A10.A2A	DOSER ASS. 6-11 GR.
38	9991.014	CARD FOR MICRO SWITCHES	79	1813.A10.A2F	DOSER ASS. 6-11 GR.120V UL
39	9121.008.00A	RATIOMOTOR 30 PACK 230/240V	79	1813.A10.A2N	DOSER ASS. 6-11 GR. 220V 60Hz
39	9121.008.00F	RATIOMOTOR 30 PACK 120V	79	11024996	DOSER ASS. 6-11 GR. 100V
39	9121.008.00N	RATIOMOTOR 30 PACK 220V 60HZ	80	U044.028	VITE TSPC M3X5 UNI 7688 INOX
39	9121.008.00R	RATIOMOTOR 30 PACK 100V 50/60HZ	81	1813.042.A20	DISPENSER PALLET
40	129825502	TCB SCREW M4X25 UNI 7687 ZNP	82	9121.235.00A	ELECTROMAGNET FOR DISPENSER WITH
41	U034.003	screw TCI M3,0X20 UNI 6107 GAL	82	9121.235.00F	ELECTROMAGNET X DISPENSER W/NUCL
42	9991.015	PLATE FOR MICRO	82	9121.235.00N	ELECTROMAGNET X DISPENSER W/NUCL
42	11003524	PLATE FOR MICRO RATIOMOTOR	83	1813.040.A20	DISPENSER SHELL
43	9991.013	JOINT FOR RATIOMOTOR	84	NE15.003	MALE TONGUE PLAIN 6,3 D.5,2
44	U043.007	screw TCBC M3,0X8 UNI 7687 GA	85	U043.020	screw TCBC M3,0X6 UNI 7687 GA
86	1813.127	SPRING FOR ELECTROMAGNET			

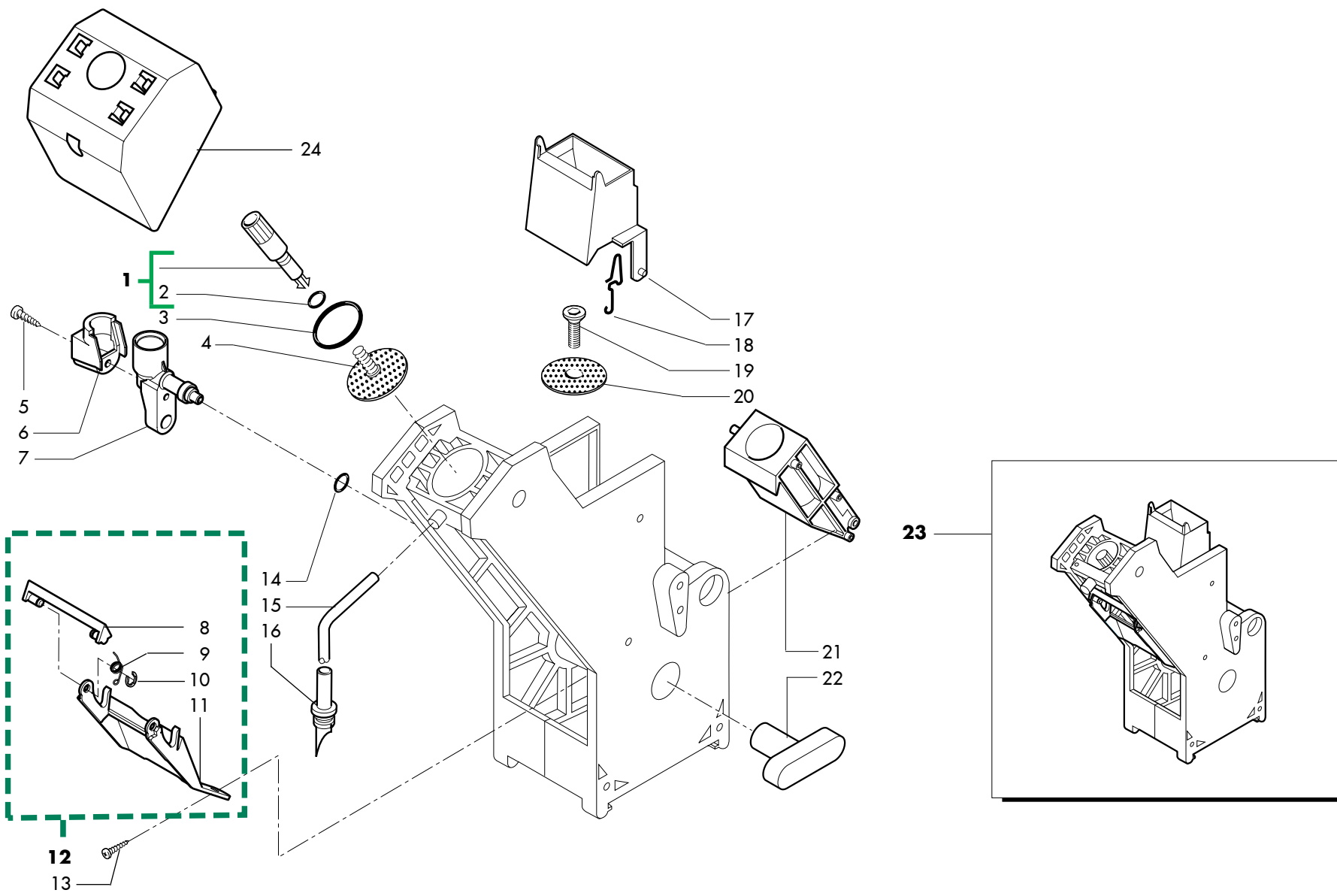
Pos	Article-Nr.	Description	Pos	Article-Nr.	Description
87	1813.092	PIN			
88	1813.091	PIN FOR DISPENSER REGULATION			
89	1813.043.A20	DISPENSER REGULATION			
90	1813.078.A20	ADJUSTMENT LEVER			
91	1813.044.A20	PALLET FOR REGULATION			
92	NE05.062	MICROSWITCH + WHEEL			
93	U116.004	screw AUT.PT TCB 3,0X16 WN 14			
94	1813.191.A20	DISPENSER COVER			
95	1813.041.A20	OUTSIDE SHELL DISPENSER			
96	12000390	SCREW AUT.TCB 2,9X25 DIN 7981 C			
97	U043.011	screw TCBC M4,0X12 UNI 7687 GA			
98	U109.004	screw AUT.TCB 4,8X9,5 DIN 7981			
99	20006550	NUCLEUS OLAB 230V E.V. AMBRA			



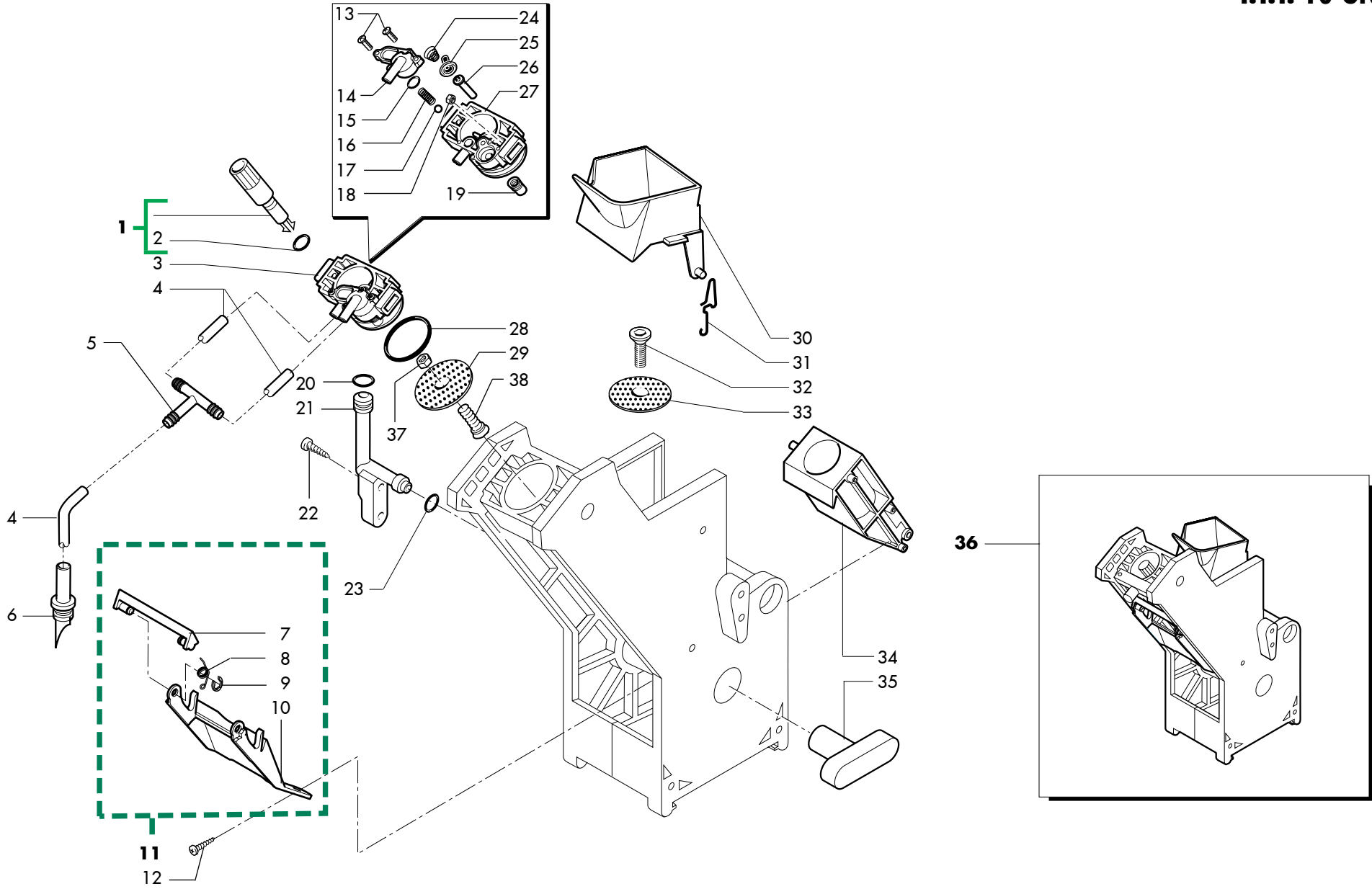
Pos	Article-Nr.	Description	Pos	Article-Nr.	Description
1	11009349	26 POLES FLAT CABLE 5P07	45	2066.601	TTL-RS232 ADAPTER BOARD
2	11008068	DA5P-2007 PWR BOARD			
2	20006510	SPARE PART POWER CARD PHEDRA			
3	U116.006	SCREW AUT.PT TCB 3,5X12 WN 1441			
4	NE01.053	CABLE AUSTRAL. +PLUG EN60320 C			
4	NE01.093	CABLE ARGENTINA + PLUG EN60320 C			
5	NE01.101	CABLE SCHUKO 16A EN 60320 C19			
5	NE01.050	CABLE SCHUKO WITH PLUG EN60320			
6	NE13.013	CUP SOCKET EN 60320 C 13			
6	NE13.055	CUP SOCKET 16A			
7	11023545				
8	11000546	POWER CONNECTOR SUPPORT			
8	11022784				
9	17800019	BLACK POWER CABLE BRAZIL L=1200			
9	NE01.051	CABLE Switzerland WITH PLUG EN			
10	11003906	USA CABLE SUPPORT ELECTRONIC PAR			
11	11012009				
12	U005.021	SCREW TE M8,0X50 UNI 5739 ZNP			
13	184651500	LOCKING SCREW ANTIDISTURB FILTER			
14	U302.007	nut HEXAGONAL M8 UNI 55			
15	11008417	ELECTRIC PARTS SUPPORT PLATE			
16	U110.003	screw AUT.TCB 3,5X9,5 DIN 7981			
17	U110.005	screw AUT.TCB 3,9X9,5 DIN 7981			
18	NE19.010	TOROIDAL TRANSFORMER 8P			
18	NE19.014	TOROIDAL TRANSFORMER 8P UL			
18	11024297	TOROIDAL TRANSFORMER 5P07			
19	U208.009	TOOTHED WASHER 8,4X15 UNI 370			
20	U310.005	nut SELF LOCK.M8 UNI 74			
21	129515603	***SCREW TCB 3,5X9,5 DIN 7981 NI			
22	12000884	GRAPHIC DISPLAY OCS			
23	11009350	14 POLES FLAT CABLE DISPLAY/CPU			
24	11009487	FLAT CABLE 24 POLES TOUCH/CPU			
25	11007792	DISPLAY GLASS 5P07			
26	11012441	PHEDRA LED BARREL			
26	11023960	PHEDRA WHITE LED BARREL			
27	11014047				
27	11008979	CPU+SW AS.DA5P MY07			
28	11008194	MECH.KEYBOARD DA5P-2007			
29	11010937	PVC SHEET FOR 5P07 KEYBOARD			
30	0875.151	SPRING FOR SLIDING PLATE			
31	11008352	PLASTIC BUTTON 5P07			
32	11025054	FAN 40X40X20 24V			
33	U109.002	NIK.SCREW TCB 3,5X25 DIN 7981 C			
34	11024107	PHEDRA MAINBOARD COOLING FAN SUP			
35	129511803	SCREW TCB 2,9X6,4 DIN 7981 NICK			
36	12000641	MOLVENO WATERPROOF GW ASSEMBLY S			
37	11025220	POWER CONNECTOR SUPPORT			
38	17800024	BLACK POWER CABLE JAPPON VCTF L=			
39	U302.002	nut HEXAGONAL M3 UNI 55			
40	11001452	CLAMP SUPPORT CONNECTOR X FS400			
41	2066.602	CAVO SERIALE RS 232 X EVA DTS			
42	12000141	SPACE FOR KIT EVA DTS HTSB-M3-05			
43	128140521	WASHER 3,2X6 UNI 6592 SS			
44	12000147	SPACER RICHCO DLSP1-14M-01			



Pos	Article-Nr.	Description	Pos	Article-Nr.	Description
1	9169.A14.060	PIN FOR PERCOLATOR BROWN			
2	NM02.006	OR R5 TERMOIL			
3	140322061	O-RING 4112 EPDM			
4	324000100	SS PERCOLATOR D=34 SCREW FOR UN			
5	11005371	UNIT COFFEE MUFF			
6	11010013	CARTER FOR MUFF PREHEATING UNIT			
7	129512921	SCREW TCB TORX 10 AB 2,9X13 SHEE			
8	9111.537.060	BROWN SCRAPER COFFEE GROUP			
9	9111.520	SPRING FOR SCRAPER SECTION 0.6			
10	U701.006	SNAP RING 3,2 UNI 7434			
11	9111.539.060	FORK FOR SCRAPER			
12	9110.067.060	SCRAPER ASS.FOR CAPPUCCINAT. TU			
13	U110.013	screw AUT.TCB 3,9X6,5 DIN 7981			
14	140321462	O-RING 2018 SILICONE			
15	9972.057	SILICONE TUBE BROWN 5X8 L.2000			
16	9111.348	STRAIGHT DISPENSING NOZZLE			
17	322001201	MOBILE SCRAPER BROWN NARROW			
18	9161.425	SPRING FOR SCRAPER			
19	129851921	TSP SCREW M3X6 UNI 7688 SS			
20	324000200	SS PERCOLATOR D=34 FOR UNIT			
21	222711101	BROWN GROUND COFF.CONTAINER D=36			
22	9161.021.060	KEY FOR BREW UNIT BROWN			
23	11023330	BREW UNIT 7 GRAMS CRISTALLO600			
23	11005421	BREW UNIT 7 GRAMS CRISTALLO600			
24	11013053	CARTER FOR DOSER UNIT			
25	11012630	PERCOLATOR D.34			
26	129852821	TSP SCREW M3X14 UNI 7688 SS			

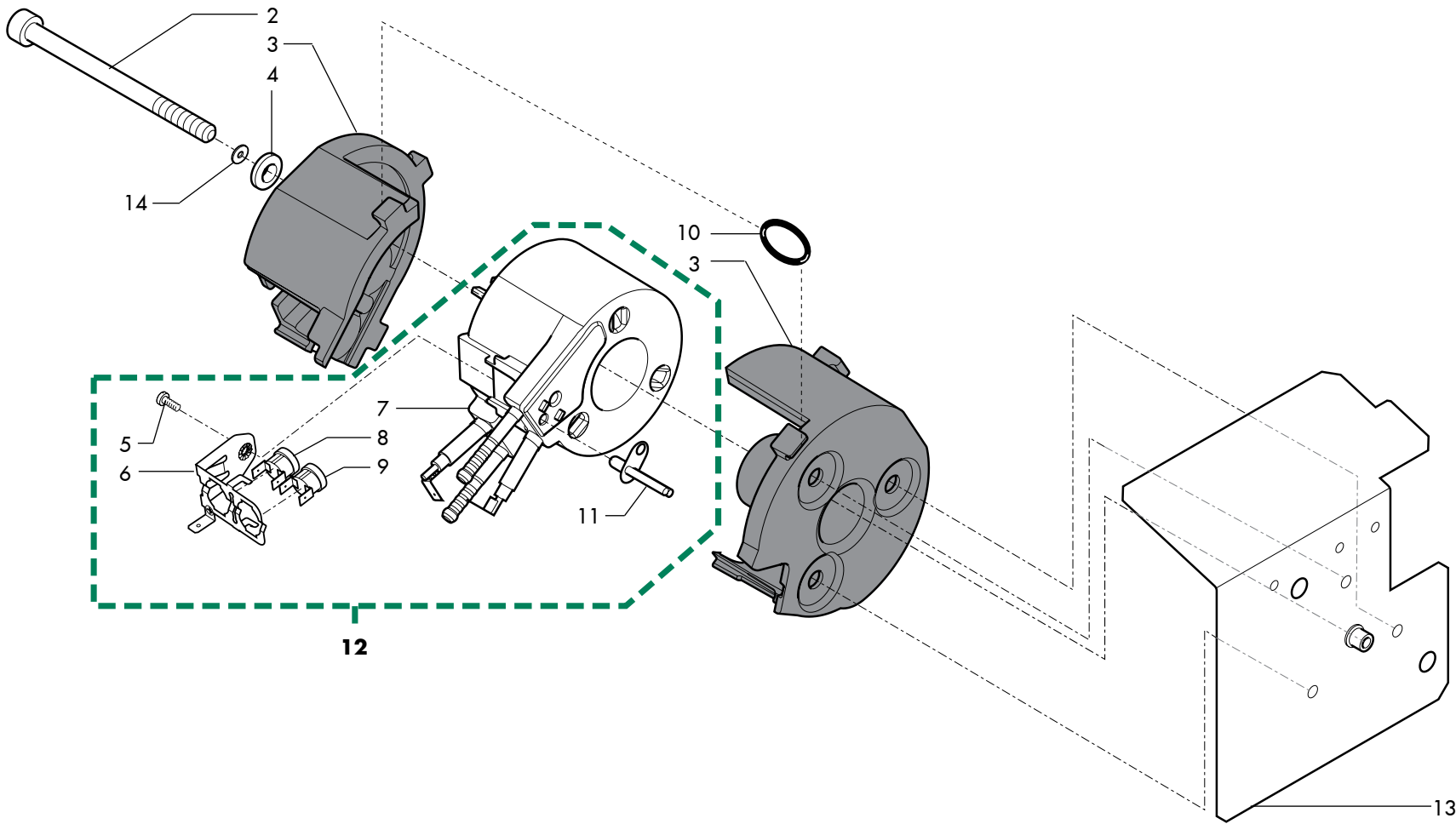


Pos	Article-Nr.	Description	Pos	Article-Nr.	Description
1	9169.A14.150	PIN FOR PERCOLATOR GREY			
2	NM02.006	OR R5 TERMOIL			
3	NM01.044	OR ORM 0320-40 SILICONE PTFE/FDA			
4	9161.036	UPPER PERCOLATOR FOR UNIT			
5	129512921	SCREW TCB TORX 10 AB 2,9X13 SHEE			
6	11010013	CARTER FOR MUFF PREHEATING UNIT			
7	11005371	UNIT COFFEE MUFF			
8	9111.537.150	GREY SCRAPER COFFEE GROUP			
9	9111.520	SPRING FOR SCRAPER SECTION 0.6			
10	U701.006	SNAP RING 3,2 UNI 7434			
11	9111.539.150	FORK FOR SCRAPER			
12	9110.067.150	SCRAPER ASS.FOR CAPPUCINAT. TU			
13	U110.013	screw AUT.TCB 3,9X6,5 DIN 7981			
14	140321462	O-RING 2018 SILICONE			
15	9972.057	SILICONE TUBE BROWN 5X8 L.2000			
16	9111.348	STRAIGHT DISPENSING NOZZLE			
17	322001259	MOBILE SCRAPER GREY NARROW			
18	9161.425	SPRING FOR SCRAPER			
19	129851921	TSP SCREW M3X6 UNI 7688 SS			
20	9161.037	LOWER PERCOLATOR FOR UNIT			
21	11002626	ASS. COFFEE CONTAINER GREY 9 GR.			
22	9161.021.060	KEY FOR BREW UNIT BROWN			
23	11005422	BREW UNIT 9 GRAMS CRISTALLO600			
24	11013053	CARTER FOR DOSER UNIT			



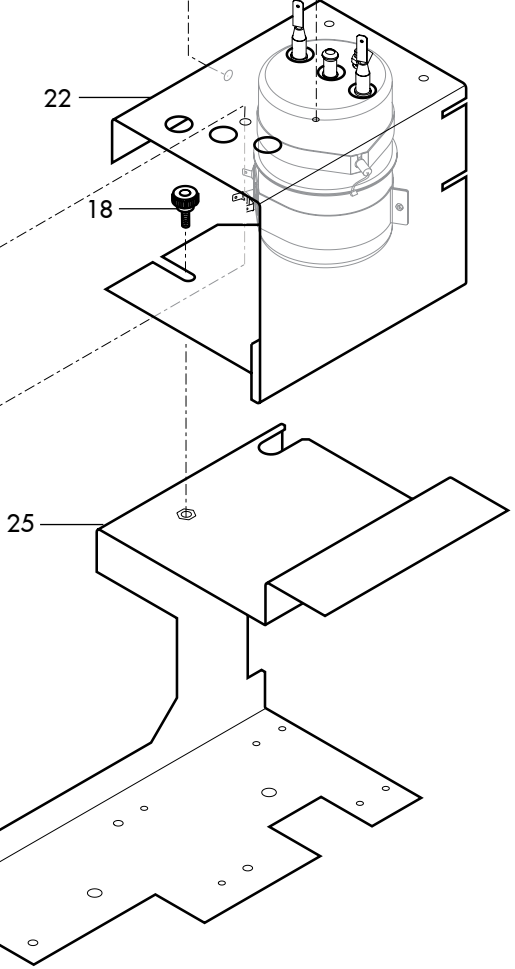
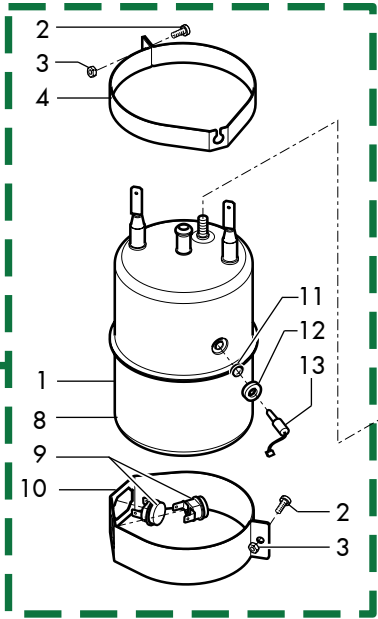
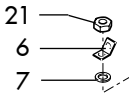
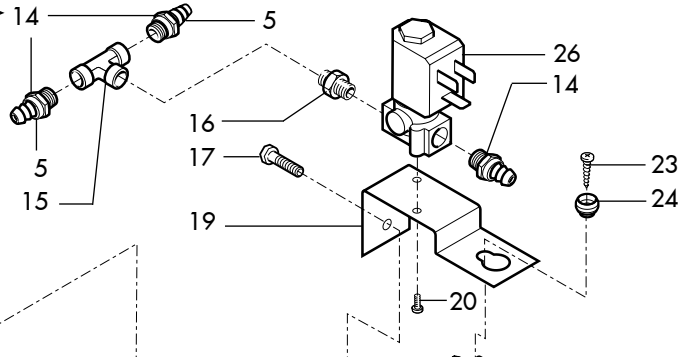
Pos	Article-Nr.	Description	Pos	Article-Nr.	Description
1	9169.A14.150	PIN FOR PERCOLATOR GREY			
2	NM02.006	OR R5 TERMOIL			
3	11007343	ASS.COUNTERPISTON FRESH-BREW			
4	9972.057	SILICONE TUBE BROWN 5X8 L.2000			
5	11007493	T CONNECTOR FOR BOILER P604			
6	9111.348	STRAIGHT DISPENSING NOZZLE			
7	9111.537.150	GREY SCRAPER COFFEE GROUP			
8	9111.520	SPRING FOR SCRAPER SECTION 0.6			
9	U701.006	SNAP RING 3,2 UNI 7434			
10	9111.539.150	FORK FOR SCRAPER			
11	9110.067.150	SCRAPER ASS.FOR CAPPUCINAT. TU			
12	U110.013	screw AUT.TCB 3,9X6,5 DIN 7981			
13	U109.030	screw AUT.TCB 2,9X16 DIN 7981			
14	11003470	LID X COUNTERPISTON FRESH-BREW			
15	NM02.013	OR ORM 0080-15 TERMOIL			
16	11007470	SPRING FOR FS400 COVER CHASSIS			
17	9991.168	GLASS SPHERE D.5 MM			
18	U302.003	GALV.NUT HEXAGONAL M4 UNI 5588			
19	11003472	RUBBER X UNIT FRESH-BREW			
20	140320461	OR ORM 0080-20 TERMOIL			
21	322000559	WATER FLOW PISTON GREY			
22	129512921	SCREW TCB TORX 10 AB 2,9X13 SHEE			
23	140321462	O-RING 2018 SILICONE			
24	11002603	SPING FOR MEMBRANE			
25	11002625	MEMBRANE			
26	11003471	PIN FOR MEMBRANE FRESH-BREW			
27	11003469	COUNTERPISTON FRESH-BREW			
28	NM01.044	OR ORM 0320-40 SILICONE PTFE/FDA			
29	9161.167	PERCOLATOR D.35,8			
30	11003529	HOPPER DOSER UNIT FRESH BREW			
31	126836618	SPRING H=28 NEW FOR SCRAPER			
32	129851921	TSP SCREW M3X6 UNI 7688 SS			
33	9161.037	LOWER PERCOLATOR FOR UNIT			
34	11002626	ASS. COFFEE CONTAINER GREY 9 GR.			
35	9161.021.150	KEY FOR BREW UNIT GREY			
36	11007283	BREW UNIT 10GRAMS FRESH BREW			
37	U301.003	nut HEXAGONAL M3 UNI 55			
38	129852821	TSP SCREW M3X14 UNI 7688 SS			

1

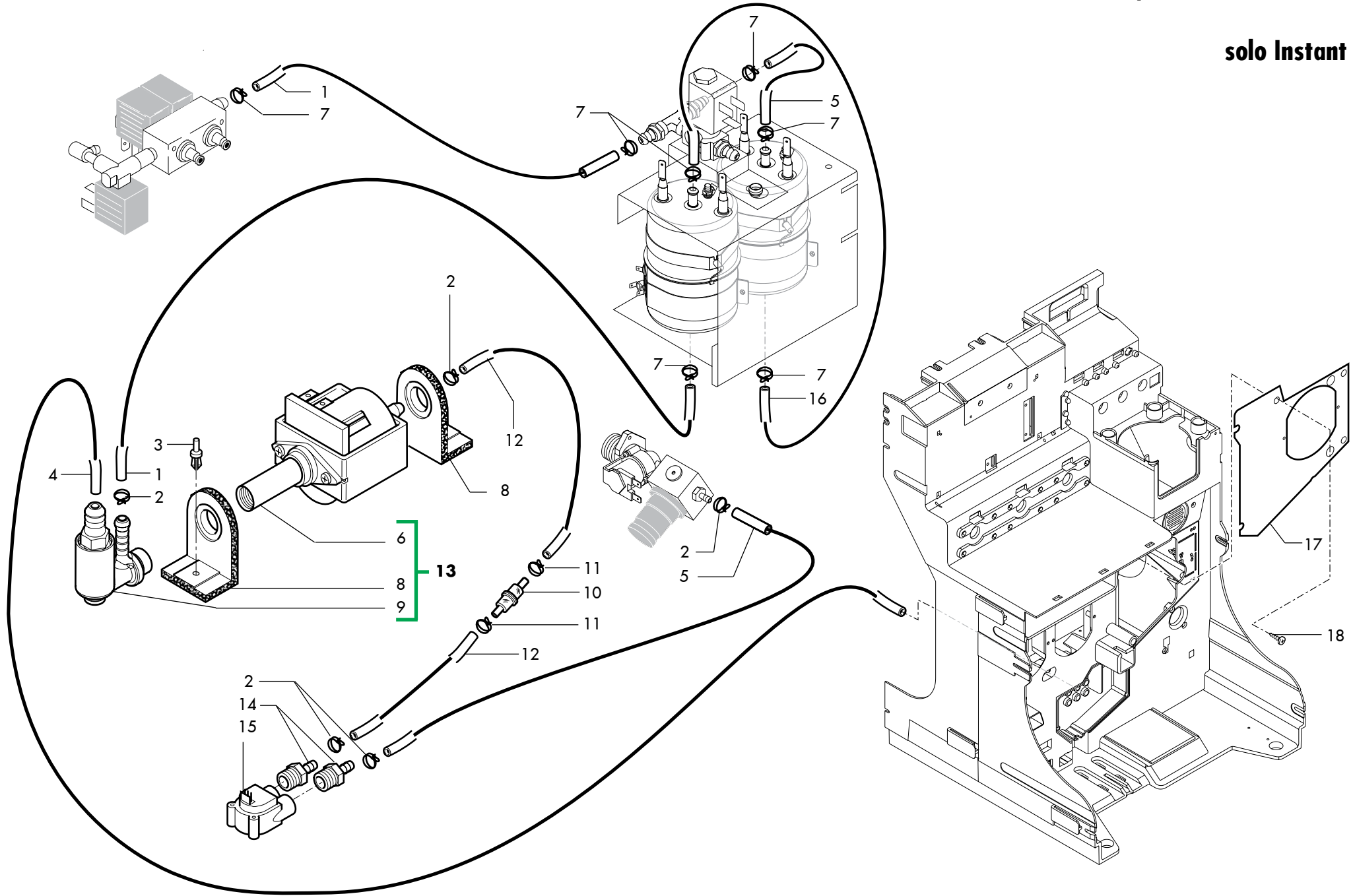


Pos	Article-Nr.	Description	Pos	Article-Nr.	Description
1	11013312				
1	11024999	PHEDRA BOILERS SUPPORT PLATE 100			
2	12001395				
3	11013022				
4	11013945				
5	129573202	SCREW TCB TORX 20 M4X8 AUTOFORMI			
6	11007907	TUB.BOILER V5 SIDE THERMOS.FIXIN			
7	11011341	V4 TUB.BOILER 1300W 230V ASSY.			
7	11011343				
8	11005558	THERMOSTAT 190° NC FASTON 90°			
9	12000804	THERMOSTAT 190° 1NT-08L-6067			
10	NM03.013	OR 2,3X15 NBR			
11	11013023				
12	11009589	STEAM PROBE SG650			
13	11013176	STEAM BOILER PHEDRA CAPP.230V 13			
14	9111.501	INSULATION WASHER			
15	11013311				

Fino a matricola
9013N5P0014570

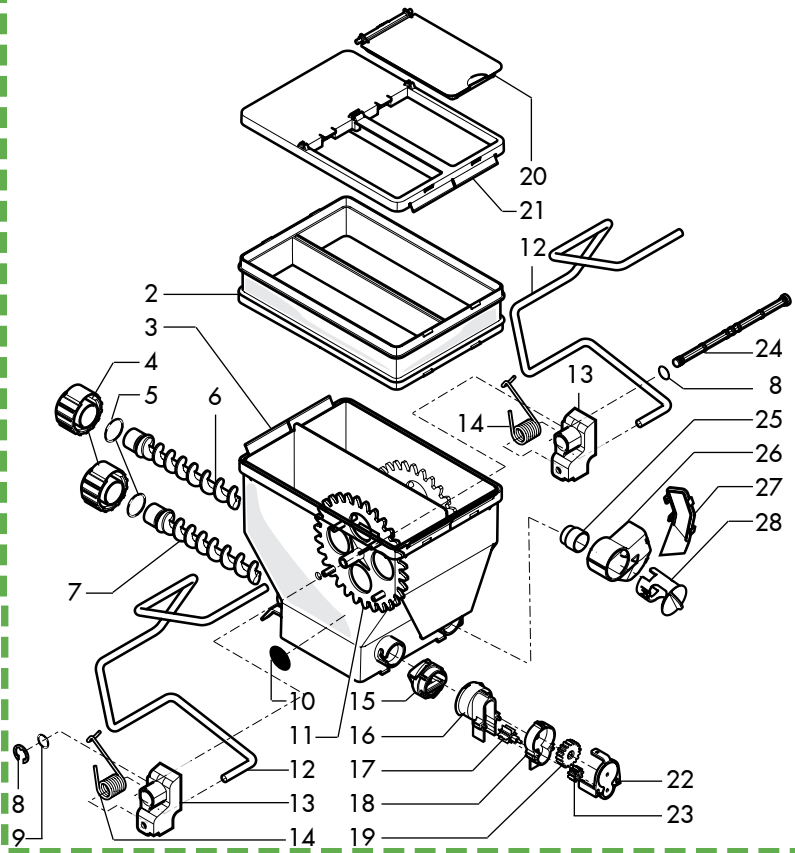


Pos	Article-Nr.	Description	Pos	Article-Nr.	Description
1	11030940	BOILER INOX 230V 1400W PHEDRA IN			
1	21002161	KIT NEW BOILER PHEDRA INST			
2	U043.028	screw TCBC M3,0X10 UNI 7687 GA			
3	U310.001	GALV.SELF LOCK. NUT M3 UNI 7473			
4	124321102	NTC STRIP LOCK			
5	U302.003	GALV.NUT HEXAGONAL M4 UNI 5588			
6	124390520	BRASS BENT FASTON 45° 6,3X0,8			
7	128310421	WASHER UNI 8842 A4 SS			
8	11030944	BOILER INOX U/G 230V 1400W			
9	NE09.010	THERMOSTAT 135NC FAST. 90+WAS			
10	11008020	STRIP LOCK			
11	145853660	SEAL TO HOLD BOILER SENSOR CIA00			
12	121711020	BUSH FOR TO PRESS SEAL			
13	11012424	SENSOR NTC BOILER ASS.			
14	11006304	TEA/BRASS CONNECTOR FOR ALUM.BOI			
14	NR07.013	STD TOOTHED CONN. M 1/8X06 NICK			
15	NR07.044	STD. CONN. T FFF 1/8 NICK			
16	12001180	STANDARD NIPPLO MM 1/8 X1/8 BRA			
17	U043.021	screw TCBC M5,0X8 UNI 7687 GA			
18	9111.319.270	KNOB FOR ARM			
19	11030938	ELECTROVALVE SUPPORT			
19	11013314				
20	U043.007	screw TCBC M3,0X8 UNI 7687 GA			
21	U324.006	NUT M4 FLANGED INDENTED BASE			
22	11029078	UPPER SUPPORT PLATE BOILER PHEDR			
22	11013313				
23	U110.002	screw AUT.TCB 3,5X13 DIN 7981			
24	11011054	PIN FOR BOSS D.8			
25	11011579				
26	12001230	ELECTROVANNE 2 VOIES 24V DC TEA			



Pos	Article-Nr.	Description	Pos	Article-Nr.	Description
1	11001206	PINK 5X8,9 SILICONE TUBE L=200 M			
1	9972.343	TUBO SILICONE TELATO 5X9 L=200 M			
2	NV99.087	BAND D=11/11,6			
3	NF11.005	RIVET ITW D.5,5			
4	9972.022	SILICONE TUBR 5X8 L.2MT			
5	9972.342	SILICONE TUBE FABRIC 5X9 L.160M			
5	11005598				
6	187721658	ULKA PUMP EP 8 230 VOLT			
7	9071.098	REINFORCEMENT FOR ULKA PUMP			
8	149185850	EATON PUMP SUPPORT 4002012 MAGIC			
9	11008017	SAFETY VALVE 3,5 -4 BAR			
10	140321961	O-RING 2031 TERMOIL			
11	147922100				
11	11001054	BLK PUMP OUTLET 90°CONNECTOR P00			
12	9972.247	SILICONE TUBE 5X10 60SH L=2000			
13	11031448	NEW PUMP 230V PHEDRA INSTANT			
13	11014157	ASS.PUMP 230V PHEDRA INSTANT			
14	11009215	RUBBER HOLDER FOR FILTER			
15	12000880	TURBINA DIGMESA PREX PLASTICA D.			
16	11001208	PINK 5X8,9 SILICONE TUBE L=290 M			
16	9972.344	SILICONE TUBE 5X9 L.290 MM			
17	11011578				
18	U142.008	PANELVIT TSP 3,5X12 DIN 7505 A			
19	NV99.072	HOSE CLAMP D. 11.6/12.3			
20	11024178	WATER FILTER PHEDRA			
21	12000892	OETIKER CLAMP D=9,5 16700004			
21	NV99.036	HOSECLAMP D=8,5 09993.41.00			

1



E19021

D.A. 5P07

Pos Article-Nr. Description

Pos Article-Nr. Description
