

**E74044****SUP021Y, SUP021YR, SUP023SR**

Pos	Article-Nr.	Description	Pos	Article-Nr.	Description
1	222762841	SILVER WATER CONTAINER LID SMART	45	222482491	BLACK/AMARANTH CASING SMART ASSY
2	146580950	BLACK WATER CONTAINER HANDLE SMA	45	11001021	MATT/SILVER CASING SMART
3	224640200	WHITE WATER CONTAINER EXT.FILTER	46	11005555	BLACK DUMP BOX S/SCR.SMART
4	149214359	BLACK FLOATING SPACE PLUG LAV.	47	229630850	TXT/BLACK DRIP TRAY SMART
5	9161.112.150	GREY LEVEL FLOAT	47	229630891	AMARANTH DRIP TRAY SMART
6	140328461	OR ORM 0190-10 EPDM	48	11013632	CPU+SW ASSEMBLY INCANTO BASE V1
7	140324362	OR ORM 0060-30 SILICONE	48	181550755	TERMINAL BOARD FOR CA SMART 120V
8	126764718	SS WATER CONTAINER VALVE SPRING	48	181550758	TERMINAL BOARD FOR CA SMART 230V
9	147660562	GREY PISTON FOR WATER CONTAINER	48	181553155	TERMINAL BOARD SMART SUP021Y 120
10	226476300	NAT/GREY WATER CONTAINER KIT SMA	48	181553158	TERMINAL BOARD SMART SUP021Y 230
10	226481780	TRANSP/GREY WATER CONTAINER KIT	49	129913202	SCREW TCB TORX 10 3X8 PLAST.ZN-B
11	129912902	SCREW TCB TORX 10 AB 2,9X6,5 SHE	50	222762741	SILVER GROUND COF.CONTENTEN.LID SMA
12	149194618	BLACK WATER CONTAINER SUPPORT SM	51	281561300	TOUCH PANEL ELECTR.BOARD SMART A
12	149194650	BLACK WATER CONTAINER SUPPORT SM	52	149194418	BLACK SUPPORT ELECTRONIC CARD SM
13	283551900	2POL.WATER LEVEL SENSOR SMART AS	52	149194450	BLACK SUPPORT ELECTRONIC CARD SM
13	283551955	2POL.WATER LEVEL SENSOR SMART UL	53	129533202	SCREW TSPTORX T10 3,5X9,5 D7982
14	129532521	SCREW TSP2,9X9,5 DIN 7982 SS	54	148601650	1GROMMET FOR POWER CABLE SMART
16	175897200	TECHMATE UPPER INSERT FOR BOX SM	55	224884441	SILVER FRONT PANEL SMART S/SCR.I
17	13000300	TECHMATE LOWER INSERT FOR BOX SM	56	179990300	BAND FOR LIFTING L=1550MM H=300M
18	147623150	BLACK SQUARE ADHESIVE FOOT 5023	57	12000895	SCREW TSP TORX 10 3X10 PLAST.SS
19	225920241	SILVER LEFT HANDGRIP SMART	58	149260850	BLACK HOPPER GROUND COF.DOSER SM
20	11005044	SAECO KLUBER TRIBOSTAR SIL 2 TUB	59	145851950	BLK GROUND COFFEE CONT.UPPER SEA
21	178506900	FLEXOGRAP.BOX 5COL.SAECO INCANTO	60	11000026	
22	9991.096	ADHESIVE FOOT 8X15X3,2	60	222810841	SILVER COVER S/SCR.SMART
23	220380259	GREY REVOLVING RING WITH 3 FEET	60	222810850	TXT/BLACK COVER S/SCR.SMART
24	222762641	SILVER BEAN COF.CONTAIN.LID SMAR	60	222810891	AMARANTH COVER S/SCR.SMART
25	142813879	TRAN/BLU COF.CONT.SAFETY AROME L	61	127390100	BRUSH FOR CLEANING
26	227721359	GREY COFFEE DOSE ADJUST.KNOB S/S	62	146680850	BLACK COFFEE MEASURE SMART
27	129913902	SCREW TCB TORX 10 3X12 PLAST.ZN-	63	15002069	MANUAL V2 SAE SUP021Y I/D/GB/F
28	227721459	GREY GRIND.ADJUSTM.KNOB S/SCR.SM	63	15002100	MANUAL V2 SAE SUP021Y E/P/NL
29	0701.031.150	GREY WATER VALVE GACO DIM 14 SEA	63	225930205	INSTRU.MANUAL SAECO SUP021Y BRAS
30	145842900	NBR WATER CONT.VALVE GACO DIM14	64	0301.961	STICKER FOR WATER HARDNESS TEST
31	0701.014.150	GREY WATER VALVE GACO DIM 14 SEA	65	149501050	BLACK COFFEE DISPENSER TUBE SMAR
32	NE03.028	SWITCH B1031C1181000W	65	149501051	BLACK COFFEE DISPENSER TUBE SMAR
33	140320461	OR ORM 0080-20 TERMOIL	66	229183041	SILVER COFF.DISPENS.HEAD SUP.SMA
34	128310321	WASHER UNI 8842 A3 SS	67	222762541	SILVER COFFEE DISPENSER SUPP.LID
35	146000850	BLK COFFEE GRIND.ADJUSTM.KNOB GE	68	129910921	SCREW TCB TORX 10 3X10 SS
36	149202550	BLACK SWITCH GENERAL SUPPORT SMA	68	129511821	SCREW TCB 2,9X6,4 DIN 7981 SS
37	145852360	BEAN COFFEE CONTAINER SEAL SMART	69	126837421	SPRING DESENGAGE LEVER DOOR SMAR
38	146001950	BLACK COFFEE DOSE ADJUSTM.GEAR S	70	146313540	DISENGAGE LEVER GREY/SIL.DOOR SM
39	147755800	INT.CASING PROTECTION POWER CABL	70	146313740	DISENGAGE LEVER GREY/SILVER DOOR
42	226481441	DOOR HINGE KIT SMART SILVER	71	129535721	SCREW TSP TORX 10 AB 3,5X9,5 SHE
42	226481450	DOOR HINGE KIT SMART BLACK	72	147572240	STOP PLATE LEVER DOOR GREY/SILV.
42	222630141	SILVER DOOR HINGE SMART	73	NF11.084	PHOSPH/STEEL FOLK SPRING
42	222630150	BLACK DOOR HINGE SMART	74	9161.384	SPACER FOR CONNECTION STEAM TUBE
42	222630541	SILVER DOOR HINGE V3 SMART	75	228982341	DOOR SMART SILVER
42	222630550	BLACK DOOR HINGE V3 SMART	75	228982350	DOOR SMART BLACK
43	129740202	SCREW TSP PH/TT 4X10 UNI 8113 ZN	75	228982391	AMARANTH DOOR SMART
43	129511903	SCREW TCB 2,9X6,4 DIN 7981 BZ N	76	222762441	SILVER COFFEE DISPENSER LID SMAR
44	225920141	SILVER RIGHT HANDGRIP SMART	77	147921750	BLACK CONNECTOR STEAM TUBE SMART
45	222360450	BLACK CASING SMART	78	222822641	SILVER COVER CONNECT.STEAM TUBE
45	222360491	AMARANTH CASING SMART	79	147370350	BLACK MOBILE COFFEE DISPENSER PA
45	222482441	SILVER/M.SILV.CASING SMART ASSY.	79	147370351	BLACK MOBILE COFFEE DISPENSER PA
45	222482450	BLACK/BLACK CASING SMART ASSY.FO	80	222860241	SILVER COFFEE DISPENSER SMART
81	145501211	RED FLOAT FOR DRIP TRAY SMART			

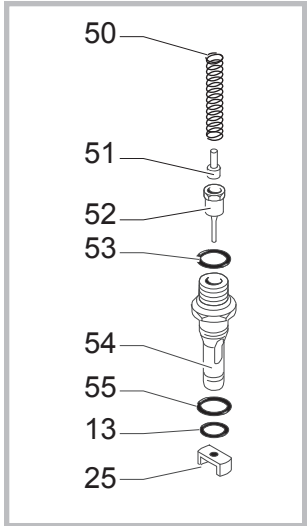
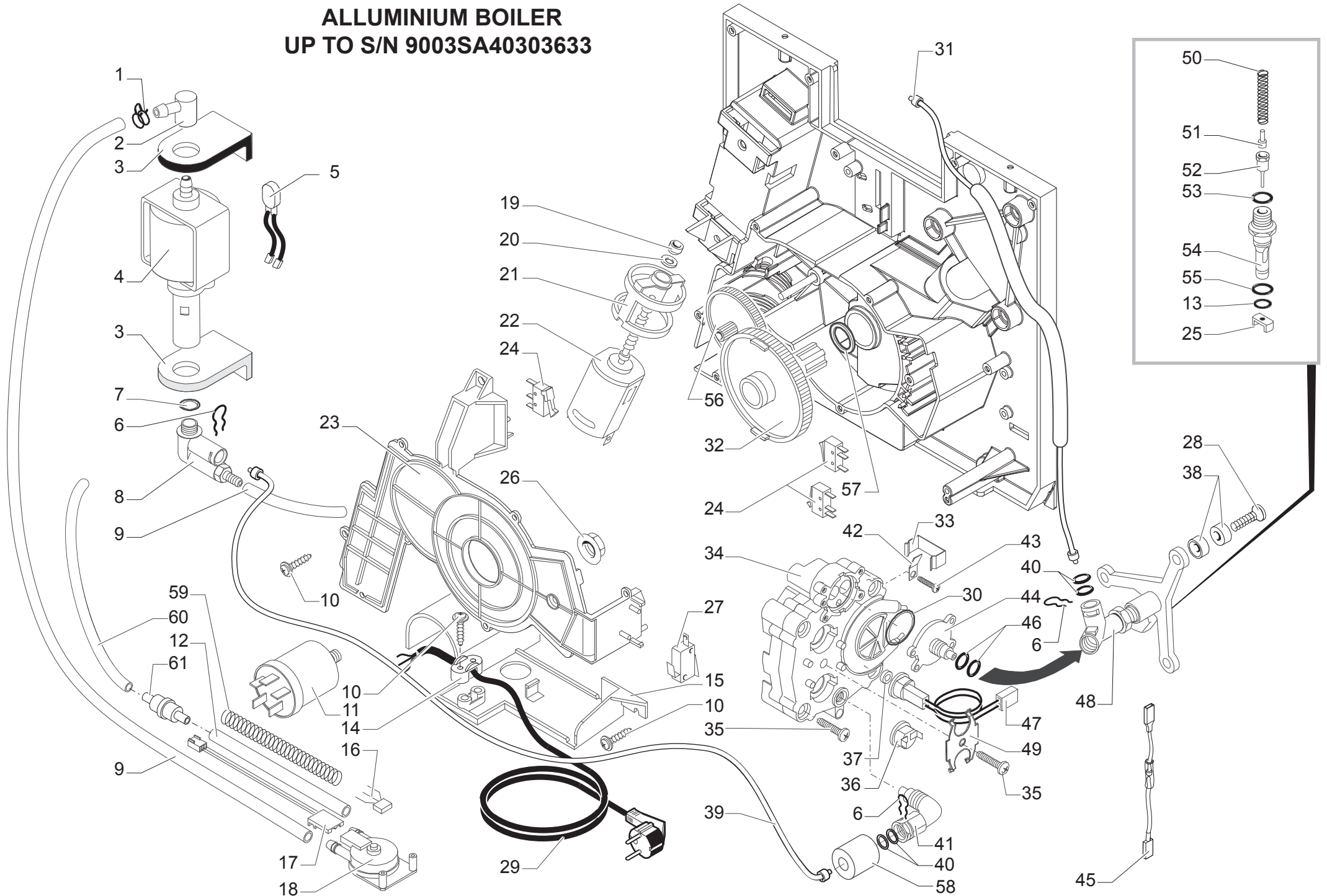
# E74044

# SUP021Y, SUP021YR, SUP023SR

Pos	Article-Nr.	Description
82	142713879	TRANSP/BLUE BEAN COFFEE CONT.SMA
83	225741041	SILVER GRATE SMART
84	129660304	PANELVIT TCB SCREW 3X10 DIN 7505
85	149213059	GREY CAP FOR KNOBS BEAN CONTAIN
86	225304200	ADHESIVE AERSTOP (35X4) L=35 MM
87	229170450	DRIP TRAY SEALING SUPPORT SMART
88	21001404	ACC SAE BRITA UNI.WAT.FILTERX1 E

Pos	Article-Nr.	Description
-----	-------------	-------------

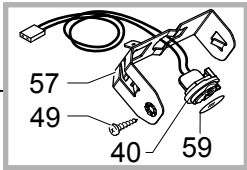
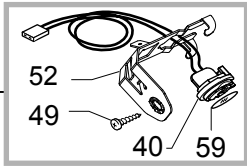
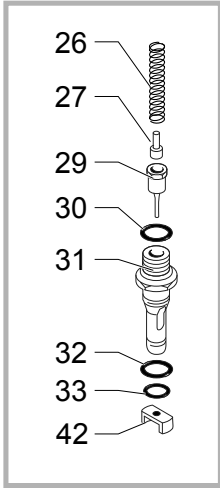
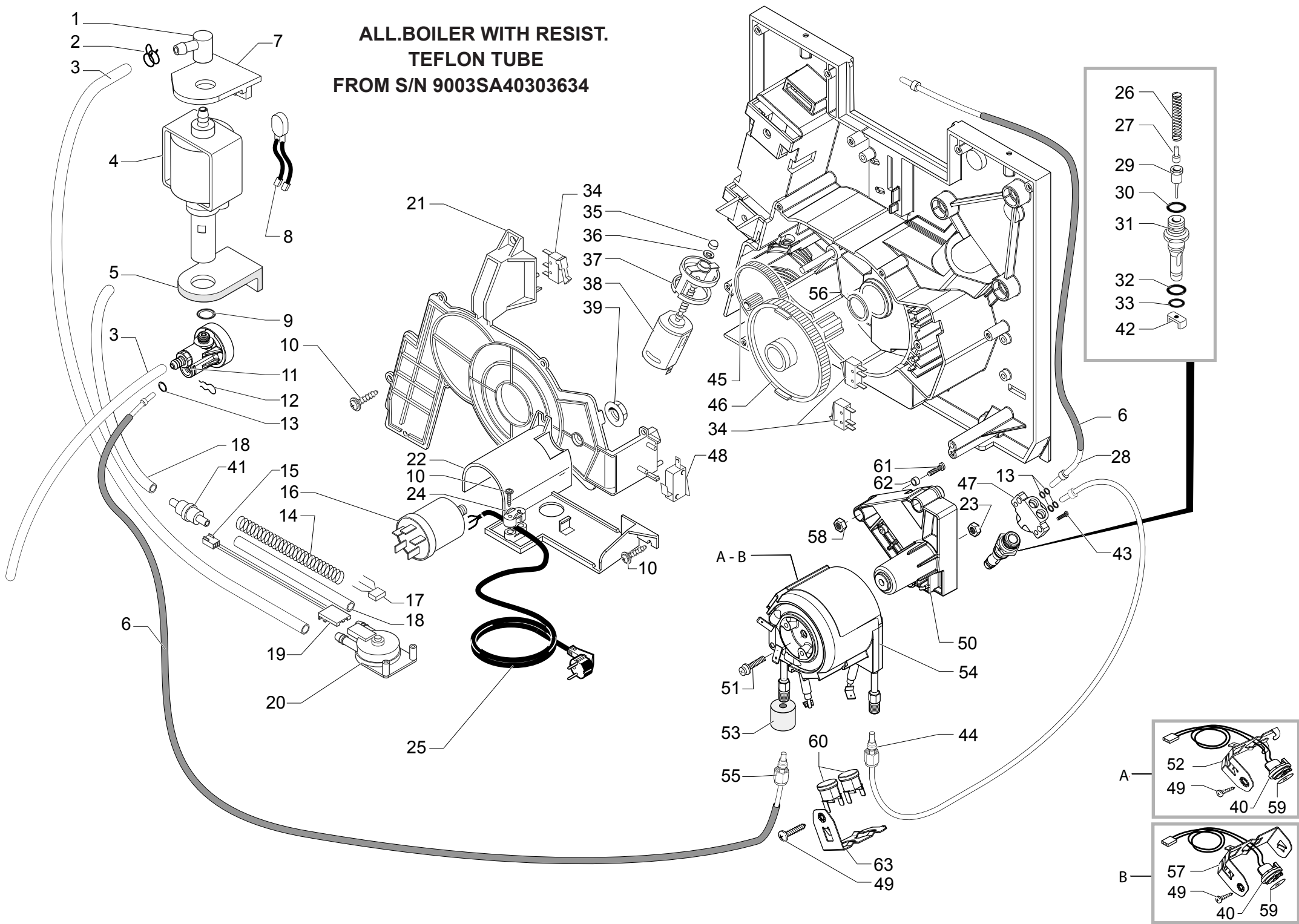
# ALLUMINIUM BOILER UP TO S/N 9003SA40303633



**E74044****SUP021Y, SUP021YR, SUP023SR**

Pos	Article-Nr.	Description	Pos	Article-Nr.	Description
1	184320200	SPRING HOSE CLAMP D=9,5MM	45	183441362	CABLE 1WIRE SILIC.BLUE TH/FUSE 1
2	147920150	90° INLET PUMP CONNECTOR	45	183441862	CABLE 1WIRE SILIC.BLUE AWG18 TH/
3	149185850	EATON PUMP SUPPORT 4002012 MAGIC	46	140321462	O-RING 2018 SILICONE
4	12000130	ULKA PUMP EP5/S GW 100V-50/60HZ	47	288581355	SENSOR MP5000/SMART 120V ASSY.
4	12000131	ULKA PUMP EP5/S 120V-60HZ	47	288581358	SENSOR MP5000/SMART 230V ASSY.
4	12000140	ULKA PUMP EP5/S GW 230V-50HZ	48	229170600	BRASS ALU.BOILER SUPP.M4000/SMAR
5	0311.807	YELLOW HARNESS KLIXON JP 13	49	126834600	SPRING FIXING 2 THERMOSTATS MAG
5	289202600	THERMAL PROTECTOR 120C	50	9011.132	SS SPRING FOR PIN
6	9011.144	SS FORK FOR TUBE D=4	51	11009013	TEA/BRASS PIN FOR PISTON L=10
7	140321961	O-RING 2031 TERMOIL	52	11009019	TEA/BRASS PISTON L=20,9 ASSY.
8	229451900	SAFETY VALVE TO 90° SMART ASSY.	53	140320459	OR ORM 0080-20 SILICONE PTFE/FDA
9	149360200	SILICONE TUBE 5X8 70SR IN ROLL	54	9011.100	PEG FOR VALVE IN PLASTIC
10	129670202	TCB PANELVIT SCREW 3,5X16 TESTA	55	NM01.035	OR ORM 0090-20 SILICONE
11	184651100	ANTIDISTURB FILTER 0,47X2+1000Y2	56	9121.042	GEAR Z=12/90
11	184651500	LOCKING SCREW ANTIDISTURB FILTER	57	9161.132	MYLAR WASHER FOR RATIOMOTOR
12	JS01.022	SILICONE TUBE 5X10 60SH IN ROLL	58	147756562	BLK PROTECTION FOR FOLK SPRING T
13	NM01.057	OR ORM 0050-20 IN SILICONE	59	228950600	SPIRALITE 8X10 (P3) L=150 MM
14	148600600	BLACK POWER CABLE CLAMP MAGIC ES	61	144650300	ASPIRATION FILTER GAUZE NET 500
15	149194800	NATURAL TURBINE SUPPORT SMART	100	282130954	ALUM.GEN.BOIL.AS.100V M4000SMART
17	283551300	3POLES CONNECTOR TURBINE JP18 SM	100	282130955	ALUM.GEN.BOIL.AS.120V M4000SMART
18	286473300	-M-VDE TURBINE WITH SENSOR KIT	100	282130958	ALUM.GEN.BOIL.AS.230V M4000SMART
19	9121.046	BRONZE SINTERED BUSH FOR MOTOR R			
20	148380200	BAKELIZZATE WASHER D=5,5			
21	147753250	RATIOMOTOR ANTIVIBRAT.PROTECTION			
22	286891058	GEN.ASS.MOTOR 230V FOR RATIOMOTO			
22	286891155	GENER.MOTOR FOR RATIOMOTOR SMART			
23	9161.331.920	TRANSPARENT RATIOMOTOR COVER			
24	NE05.038	MICROSWITCH SAIA XCG5-81-P5			
25	145893000	CURSOR INSERT BOIL.VALVE NEW MAG			
26	123453602	FLANGE NUT M8 TOOTHED BASE GALV			
27	186723800	MICROSWITCH SAIA X3M502K2KAJ32			
28	U044.017	screw TSPC M5,0X20 UNI 7688 GA			
29	183910450	BLACK POWER CABLE SCHUKO L=1500			
29	183921650	POWER CABLE SJT3C USA BLACK 3F.L			
29	183940250	BLACK POWER CABLE AUSTR.H05+FAST			
29	183980450	BLACK POWER CABLE JAPPON VCTF L=			
30	140324562	O-RING 2106 SILICONE			
31	227874100	CONNECTOR AS.TEFLON 2X4 L=275 MM			
32	9121.069.150	GEAR Z=108 FOR MOUNTING PLATE M4			
33	9011.054	SPRING FOR THERMAL FUSE			
34	9019.A61.00A	BOILER CASINGS ASS. PROFESS. 2			
34	9019.A61.00F	BOILER CASINGS ASS. PROFESS. 1			
34	9019.A61.00R	BOILER CASINGS ASS. PROFESS. 1			
35	129828502	TCB SCREW M6X30 UNI 7687 ZNP			
36	NE09.006	THERMOSTAT 170°NC FAST. 90°+WASH			
37	123591222	ALUM.SPACER NEW FOR SENSOR MAGIC			
38	9161.206	INSULATING SPACER FOR BOILER			
39	227874300	TEFLON TUBE 2X4 L=135 MM ASSY			
39	227872400	TEFLON TUBE 2X4 L=115 MM ASSY			
40	NM02.028	OR 2015 EPDM FDA			
41	9991.150	BRASS CONNECTOR 1/8" CONICAL AT			
42	NE15.026	MALE TONGUE 45° 6,3 D.5,2			
43	U046.003	SCREW TCBD TORX 20 M4X12 ZN-B			
44	229182920	BRASS SUPPORT BOIL.W/O.VALVE M40			

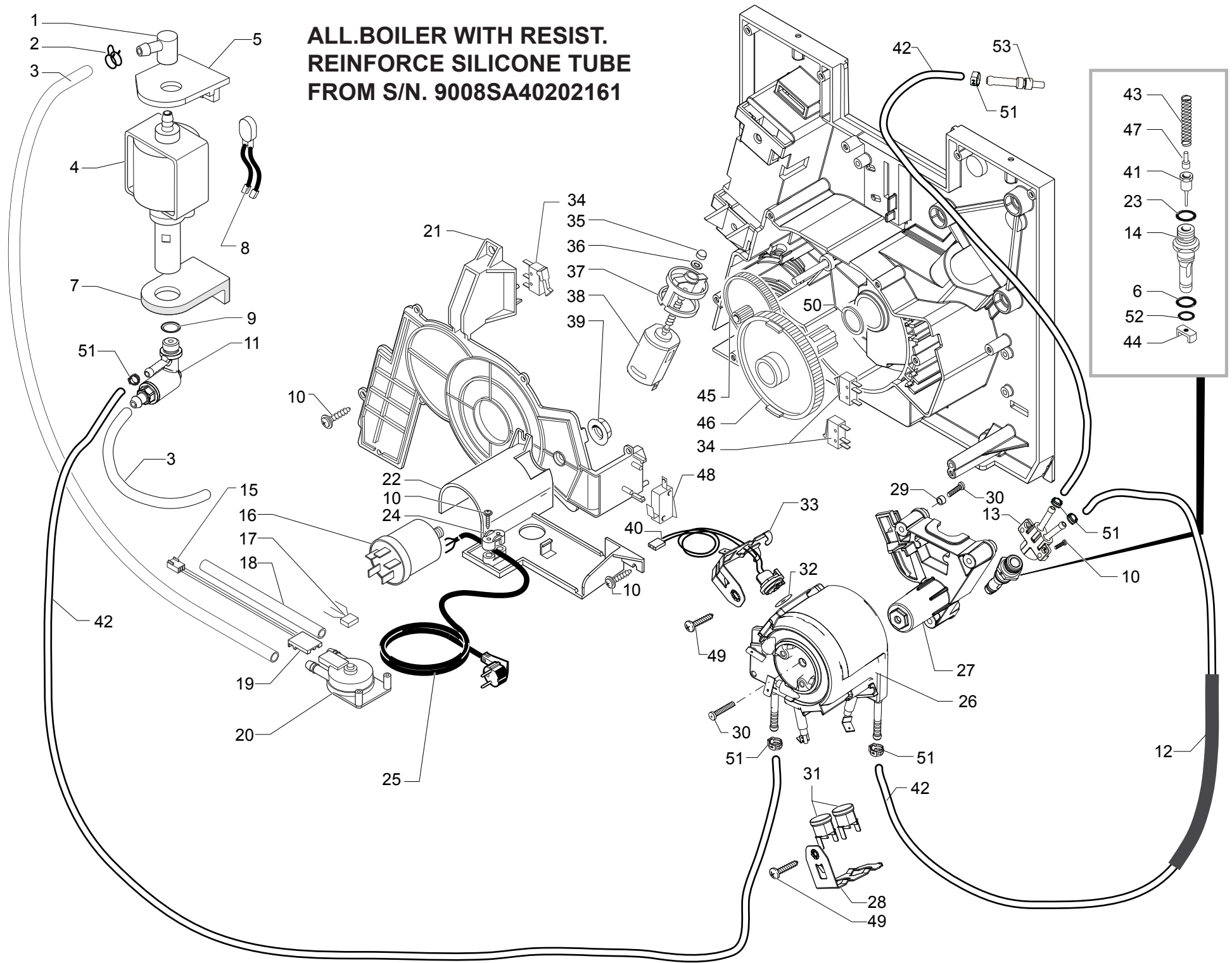
**ALL. BOILER WITH RESIST.  
TEFLON TUBE  
FROM S/N 9003SA40303634**



**E74044****SUP021Y, SUP021YR, SUP023SR**

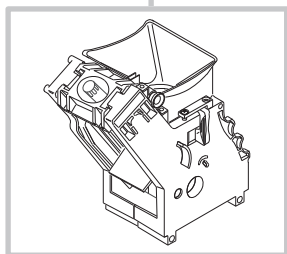
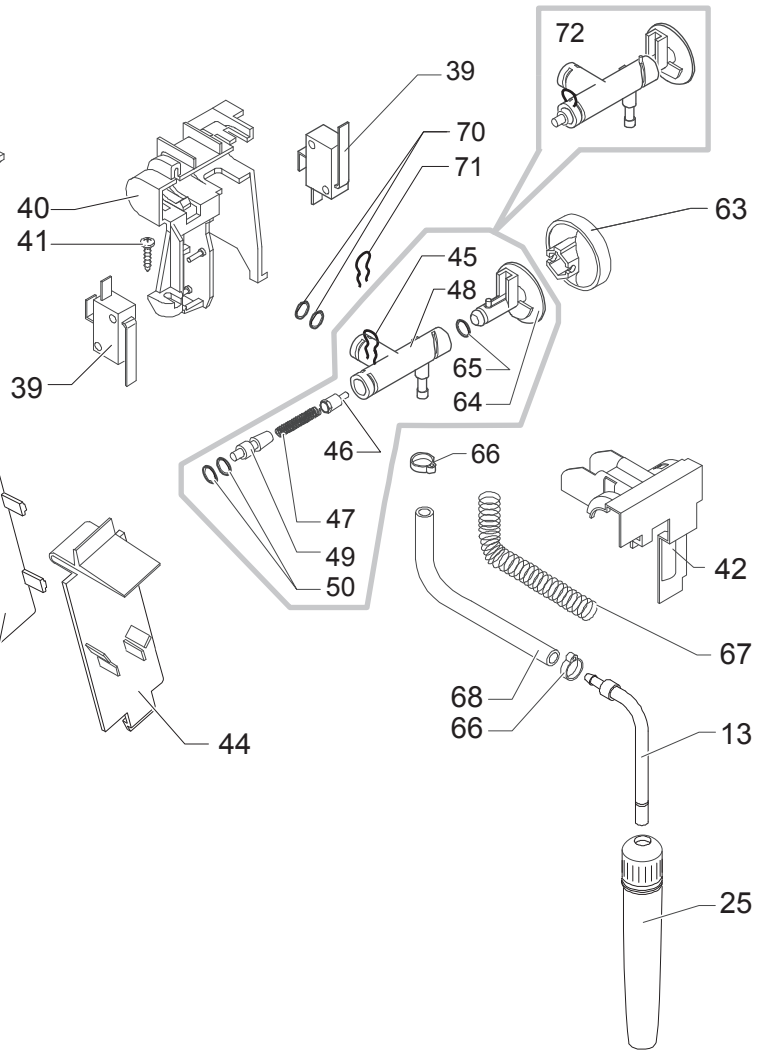
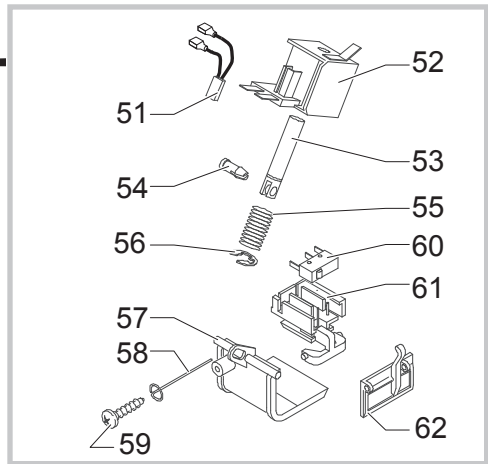
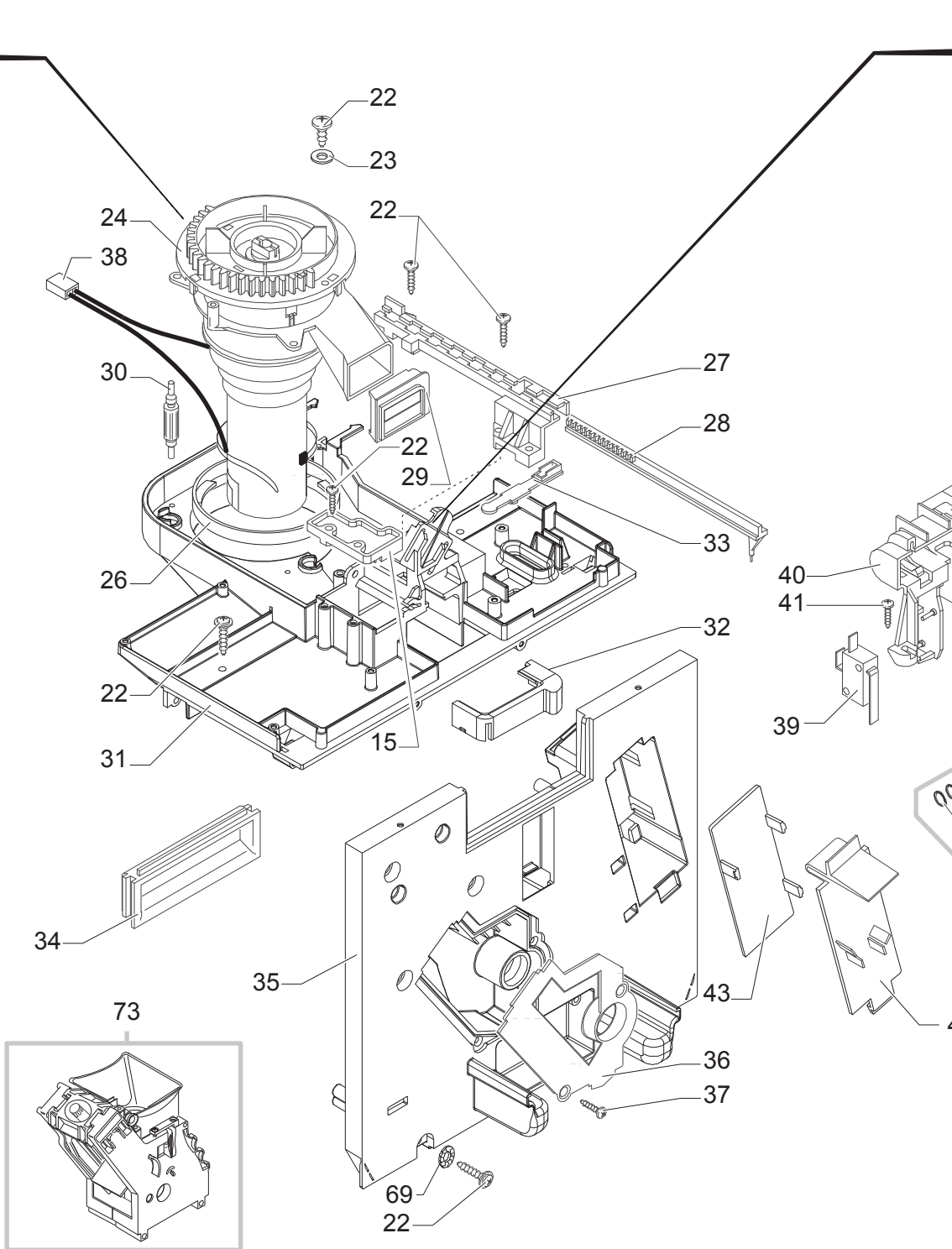
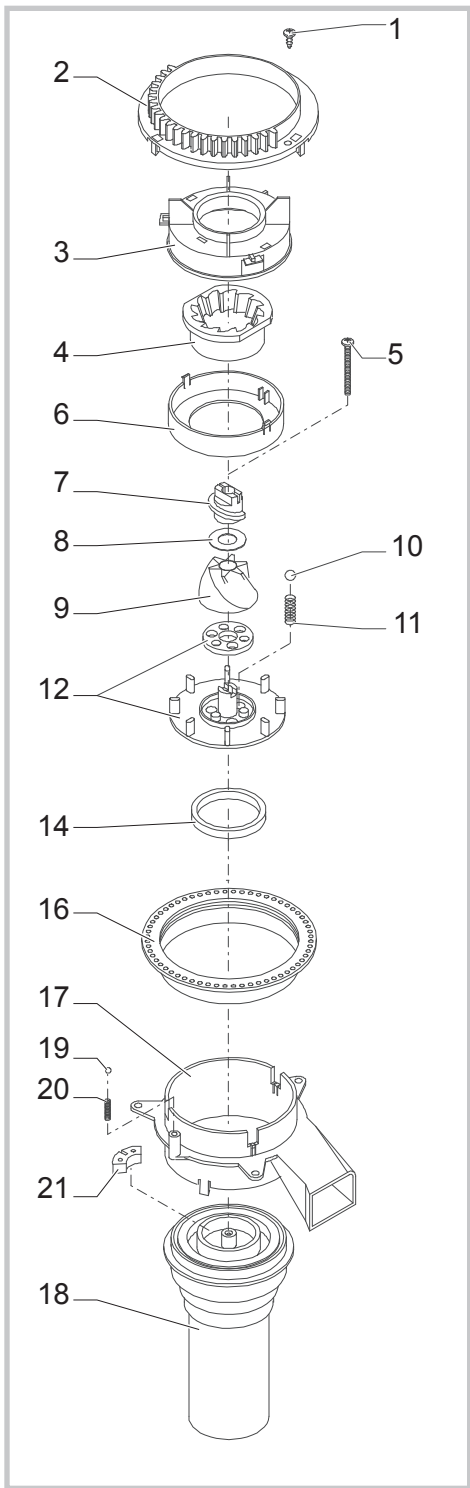
Pos	Article-Nr.	Description	Pos	Article-Nr.	Description
1	147920150	90° INLET PUMP CONNECTOR	46	9121.069.150	GEAR Z=108 FOR MOUNTING PLATE M4
2	184320200	SPRING HOSE CLAMP D=9,5MM	47	147922700	BOILER SUPPORT CONNECTOR
3	149360200	SILICONE TUBE 5X8 70SR IN ROLL	48	186723800	MICROSWITCH SAIA X3M502K2KAJ32
4	12000130	ULKA PUMP EP5/S GW 100V-50/60HZ	49	129573202	SCREW TCB TORX 20 M4X8 AUTOFORMI
4	12000131	ULKA PUMP EP5/S 120V-60HZ	50	149197700	BLACK SUPPORT FOR TUBOL.BOILER S
4	12000140	ULKA PUMP EP5/S GW 230V-50HZ	50	20000204	SPARES KIT SUPPORT BOILER SMART
5	149185850	EATON PUMP SUPPORT 4002012 MAGIC	51	129932202	ROUND HEAD SCREW 10.9 M5X20 GALV
6	149361200	BLACK SILICONE TUBE 7,5X9,3 IN R	52	126838217	SENSOR FIXING SPRING
7	149205710	RED PUMP SUPPORT HOLE 13,2	53	147756562	BLK PROTECTION FOR FOLK SPRING T
8	289201000	THERMAL. PROTECT 120°C CABLE.12	54	282058854	V2 TUB.BOILER W/ADDIT.RESIST.110
8	0311.807	YELLOW HARNESS KLIXON JP 13	54	282058855	V2 TUB.BOILER W/ADDIT.RESIST.110
9	140321961	O-RING 2031 TERMOIL	54	282058858	V2 TUB.BOILER W/ADDIT.RESIST.110
10	129914002	SCREW TCB TORX 10 3,5X16 PLAST.Z	55	227874900	CONNECTOR AS.TEFLON 2X4 L=250 MM
11	229452100	COMPENSATION AND SAFETY VALVE 16	56	9161.132	MYLAR WASHER FOR RATIOMOTOR
12	9011.144	SS FORK FOR TUBE D=4	57	126838017	SENSOR FIXING SPRING
13	140328059	OR 2015 SILICONE PTFE/FDA	58	U310.003	nut SELF LOCK.M5 UNI 74
14	228950600	SPIRALITE 8X10 (P3) L=150 MM	59	145951600	ELECTRIC INSULATING D=16 SP=0,4
15	283551300	3POLES CONNECTOR TURBINE JP18 SM	60	189428200	THERMOSTAT 175° 1NT-08L-3794
16	184651100	ANTIDISTURB FILTER 0,47X2+1000Y2	60	189428600	THERMOSTAT 175° 1NT-08L-5125
16	184651500	LOCKING SCREW ANTIDISTURB FILTER	61	U044.020	screw TSP M5,0X30 UNI 7688 GA
16	12001353	LOCKING SCREW ANTIDISTURB FILTER	61	129932502	SCREW TSP 5X30 PLAST.ZN-B
18	JS01.022	SILICONE TUBE 5X10 60SH IN ROLL	62	9161.206	INSULATING SPACER FOR BOILER
19	9161.018	BRACKET FOR TURBINE	63	126838117	2 THERMOSTATS FIXING SPRING
20	286473300	-M-VDE TURBINE WITH SENSOR KIT	100	11000022	
21	9161.331.920	TRANSPARENT RATIOMOTOR COVER	100	11000153	
22	149194800	NATURAL TURBINE SUPPORT SMART	100	282133658	TUB.BOILER SMART 230V ASSY.
22	11009371				
23	123453902	SELF-LOCKI.NUT M5X0,8 DIN 980 CL			
24	148600600	BLACK POWER CABLE CLAMP MAGIC ES			
25	183910450	BLACK POWER CABLE SCHUKO L=1500			
25	183921650	POWER CABLE SJT3C USA BLACK 3F.L			
25	183930250	POWER CABLE CH BLACK H05+3FAST.L			
25	183940250	BLACK POWER CABLE AUSTR.H05+FAST			
25	183980450	BLACK POWER CABLE JAPPON VCTF L=			
26	9011.132	SS SPRING FOR PIN			
27	11009013	TEA/BRASS PIN FOR PISTON L=10			
28	227874500	CONNECTOR AS.TEFLON 2X4 L=330 MM			
29	11009019	TEA/BRASS PISTON L=20,9 ASSY.			
30	140320459	OR ORM 0080-20 SILICONE PTFE/FDA			
31	9011.100	PEG FOR VALVE IN PLASTIC			
32	NM01.035	OR ORM 0090-20 SILICONE			
33	NM01.057	OR ORM 0050-20 IN SILICONE			
34	NE05.038	MICROSWITCH SAIA XCG5-81-P5			
35	9121.046	BRONZE SINTERED BUSH FOR MOTOR R			
36	148380200	BAKELIZZATE WASHER D=5,5			
37	9121.044	ANTIVIBRATION FOR MOTOR			
38	11003037	MOTOR FOR RATIOMOTOR ASSY.			
39	123453602	FLANGE NUT M8 TOOTHED BASE GALV			
40	288582300	SENSOR ELECT.BOARD WITH CONNECTO			
41	144650300	ASPIRATION FILTER GAUZE NET 500			
42	11005099	NATURAL CURSOR V2 FOR BOILER P11			
43	129910103	HI -LO TC SCREW 3,5X15 RIF.9101			
44	227876800	CONNECTOR TEFLON 2X4 L=235 MM AS			
45	9121.042	GEAR Z=12/90			

**ALL. BOILER WITH RESIST.  
REINFORCE SILICONE TUBE  
FROM S/N. 9008SA40202161**



**E74044****SUP021Y, SUP021YR, SUP023SR**

Pos	Article-Nr.	Description	Pos	Article-Nr.	Description
1	147920150	90° INLET PUMP CONNECTOR	52	NM01.057	OR ORM 0050-20 IN SILICONE
2	184320200	SPRING HOSE CLAMP D=9,5MM	53	11000750	TEA/BRASS CONNECTOR FOR SILICONE
3	149360200	SILICONE TUBE 5X8 70SR IN ROLL	100	11010086	
4	12000140	ULKA PUMP EP5/S GW 230V-50HZ			
4	12000167	ULKA PUMP EP5/S GW 240V-50HZ			
5	149205710	RED PUMP SUPPORT HOLE 13,2			
6	NM01.035	OR ORM 0090-20 SILICONE			
7	149185850	EATON PUMP SUPPORT 4002012 MAGIC			
8	0311.807	YELLOW HARNESS KLIXON JP 13			
9	140321961	O-RING 2031 TERMOIL			
10	129914002	SCREW TCB TORX 10 3,5X16 PLAST.Z			
11	11004689	TEA/BRASS SAFETY VALVE 16-18 BAR			
12	11010624	TRANSP.SILICONE TUBE 11X12,8 L=2			
13	11002606	BOILER SUPPORT CONNECTOR			
14	9011.100	PEG FOR VALVE IN PLASTIC			
15	283551300	3POLES CONNECTOR TURBINE JP18 SM			
16	184651100	ANTIDISTURB FILTER 0,47X2+1000Y2			
18	JS01.022	SILICONE TUBE 5X10 60SH IN ROLL			
19	9161.018	BRACKET FOR TURBINE			
20	286473300	-M-VDE TURBINE WITH SENSOR KIT			
21	9161.331.920	TRANSPARENT RATIOMOTOR COVER			
22	149194800	NATURAL TURBINE SUPPORT SMART			
23	140320459	OR ORM 0080-20 SILICONE PTFE/FDA			
24	148600600	BLACK POWER CABLE CLAMP MAGIC ES			
25	183910450	BLACK POWER CABLE SCHUKO L=1500			
25	183930250	POWER CABLE CH BLACK H05+3FAST.L			
25	183940250	BLACK POWER CABLE AUSTR.H05+FAST			
25	11001845	BLACK POW.CABLE KOREA L=1600			
26	11004667	V5 TUB.BOILER W/ADDIT.RESIST.110			
27	11004209	V2 SUPPORT FOR TUBOL.BOILER SMAR			
28	126838117	2 THERMOSTATS FIXING SPRING			
29	9161.206	INSULATING SPACER FOR BOILER			
30	129932502	SCREW TSP 5X30 PLAST.ZN-B			
31	189428600	THERMOSTAT 175° 1NT-08L-5125			
32	145951600	ELECTRIC INSULATING D=16 SP=0,4			
33	126838217	SENSOR FIXING SPRING			
34	NE05.038	MICROSWITCH SAIA XCG5-81-P5			
35	9121.046	BRONZE SINTERED BUSH FOR MOTOR R			
36	148380200	BAKELIZZATE WASHER D=5,5			
37	9121.044	ANTIVIBRATION FOR MOTOR			
38	11003037	MOTOR FOR RATIOMOTOR ASSY.			
39	123453602	FLANGE NUT M8 TOOTHED BASE GALV			
40	288582300	SENSOR ELECT.BOARD WITH CONNECTO			
41	11009019	TEA/BRASS PISTON L=20,9 ASSY.			
42	16000380	5X8,9 SILICONE TUBE IN ROLL			
43	9011.132	SS SPRING FOR PIN			
44	11005099	NATURAL CURSOR V2 FOR BOILER P11			
45	9121.042	GEAR Z=12/90			
46	9121.069.150	GEAR Z=108 FOR MOUNTING PLATE M4			
47	11009013	TEA/BRASS PIN FOR PISTON L=10			
48	186723800	MICROSWITCH SAIA X3M502K2KAJ32			
49	129573202	SCREW TCB TORX 20 M4X8 AUTOFORMI			
50	9161.132	MYLAR WASHER FOR RATIOMOTOR			
51	12000892	OETIKER CLAMP D=9,5 16700004			



## E74044

## SUP021Y, SUP021YR, SUP023SR

Pos	Article-Nr.	Description	Pos	Article-Nr.	Description
1	129912902	SCREW TCB TORX 10 AB 2,9X6,5 SHE	54	9161.076.150	GREY GROUND COF.DOSER DOOR PIN
2	148650250	SECTOR GEARGRIND ADJUSTMENT KNOB	55	126764818	SPRING ELECTROM.BEAN DOSER MAG
3	149186150	BLACK UPPER GRINDER SUPPORT MAGI	56	U701.003	SNAP RING 7 UNI 7434
5	129931002	TORX SCREW T10 TCB 3,5X40 SX ZNG	57	9161.074.150	GREY GROUND COFFE DOSER DOOR
6	142844550	UPPER GRINDER COVER COFFEE GRIND	58	9161.048	STEEL GROUND COF.DOSER SCRAPER R
7	147470763	BLK INCREASE SCREW PIN COF.GRIND	59	129913902	SCREW TCB TORX 10 3X12 PLAST.ZN-
8	U201.002	PLAIN WASHER 10X16X0,2DIN 988	60	NE05.017	MICROSWITCH
9	226473500	KIT TECNA GRINDERS	61	149185959	BEAN COFFEE DOSER MICRO SUPPORT
9	226477700	KIT ITAL MILL GRINDERS	62	148700559	COFFEE DOSER DOSE ADJ. SEL. GR
10	128610521	STAIL.STEEL AISI 304 SPHERE D=5,	63	227700541	STEAM KNOB SMART SILVER
11	126765517	STEEL SPRING SPHERE D=5,5 MOTOR	63	227700550	STEAM KNOB SMART BLACK
12	149188750	CONICAL GRIND. SUPP. + RING MAG	66	NF11.052	OETIKER CLIP
13	11001595	SS STEAM TUBE SMART ASSY.	67	126772018	BRAIDED SILICONE TUBE 3X7 SPRING
14	140360200	FELT RING 40X34X5	68	JS01.019	BRAIDED SILICON TUBE 3X7 IN ROLL
15	145895400	INSERT FOR DOSER SMART	69	128310402	GALV.WASHER UNI 8842 A4
16	146570950	RING NUT FOR GRINDING ADJUSTMENT	70	140328059	OR 2015 SILICONE PTFE/FDA
17	149194200	BLACK GRINDER MOTOR SUPPORT SMAR	71	9011.144	SS FORK FOR TUBE D=4
18	9141.075.00A	RULES WERKS COF.GRINDER MOTOR MI	72	20007014	KIT STEAM FAUCET SMART ASSY.
18	9141.075.00F	RULES WERKS COF.GRINDER MOTOR MI	73	11004183	BLACK BREW UNIT NEW P107
18	9141.075.00R	RULES WERKS COF.GRINDER MOTOR MI			
19	128610421	STAIL.STELL AISI 304 SPHERE D=3,			
20	126770117	NEW SPRING SPHERE D=3,2 MOTOR M			
21	140230400	SHOCK ABS .CONICAL GRINDER SUPP.			
22	129914002	SCREW TCB TORX 10 3,5X16 PLAST.Z			
23	U207.004	PLAIN WASHER 4,3X16 UNI 6592			
24	286883958	GENERAL MOTOR ASSY.SMART 230V			
24	20000323				
24	20000324	GENERAL MOTOR ASSY.SMART 100V			
25	227431250	BLACK/BLACK PANNARELLO PLASTIC A			
26	9141.052	BLACK COFFEEGRINDER REINFORCING			
27	147572150	PLATE FIXING TOOTHED SLIDE SMART			
28	148740550	TOOTHED SLIDE FOR DOSE ADJUST SM			
29	145851862	BLACK GROUND COFFEE OUTLET SEAL			
30	9991.103	ANTIVIBRATION FOR COFFEEGRINDER			
31	147531500	BLACK GRINDER SUPPORT PLATE P107			
31	147531518	BLACK GRINDER SUPPORT PLATE P107			
32	145852560	BLK GROUND COFFEE CONT.LOWER SEA			
33	9161.122.150	DOSE ADJUSTMENT LEVER GREY CLASS			
34	145895350	BLACK MOUNTING PLATE INSERT SMAR			
35	227533000	BLACK BOILER SUPPORT PLATE SMART			
36	9161.333.050	BLACK BOILER COVER SMART			
37	129535721	SCREW TSP TORX 10 AB 3,5X9,5 SHE			
38	283544900	2P.CONNECT.COFFEE GRINDER JP1 33			
38	283544955	2P.CONNECT.COFFEE GRINDER JP1 33			
39	186724200	MICROSWITCH SAIA X3M502K2KAJ32AV			
40	11005343	BLACK STEAM FAUCET SUPPORT V2 SM			
41	12000450	SCREW TCB TORX 10 3,5X12 PLAST.			
42	147756400	BLACK STEAM FAUCET PROTECTION SM			
43	9161.345.050	BLACK INTERNAL COVERING PUMP SPA			
44	9161.332.050	BLACK PUMP COVER SMART			
51	289202200	THERMAL.PROTECTOR 100°C			
52	283770658	ELECTROMAGN.SMART 230V ASSY.			
52	283770755	V2 COFFEE DOSER COIL ASS.120V			
53	9161.041	STEEL GROUND COF.DOSER ELECTROMA			