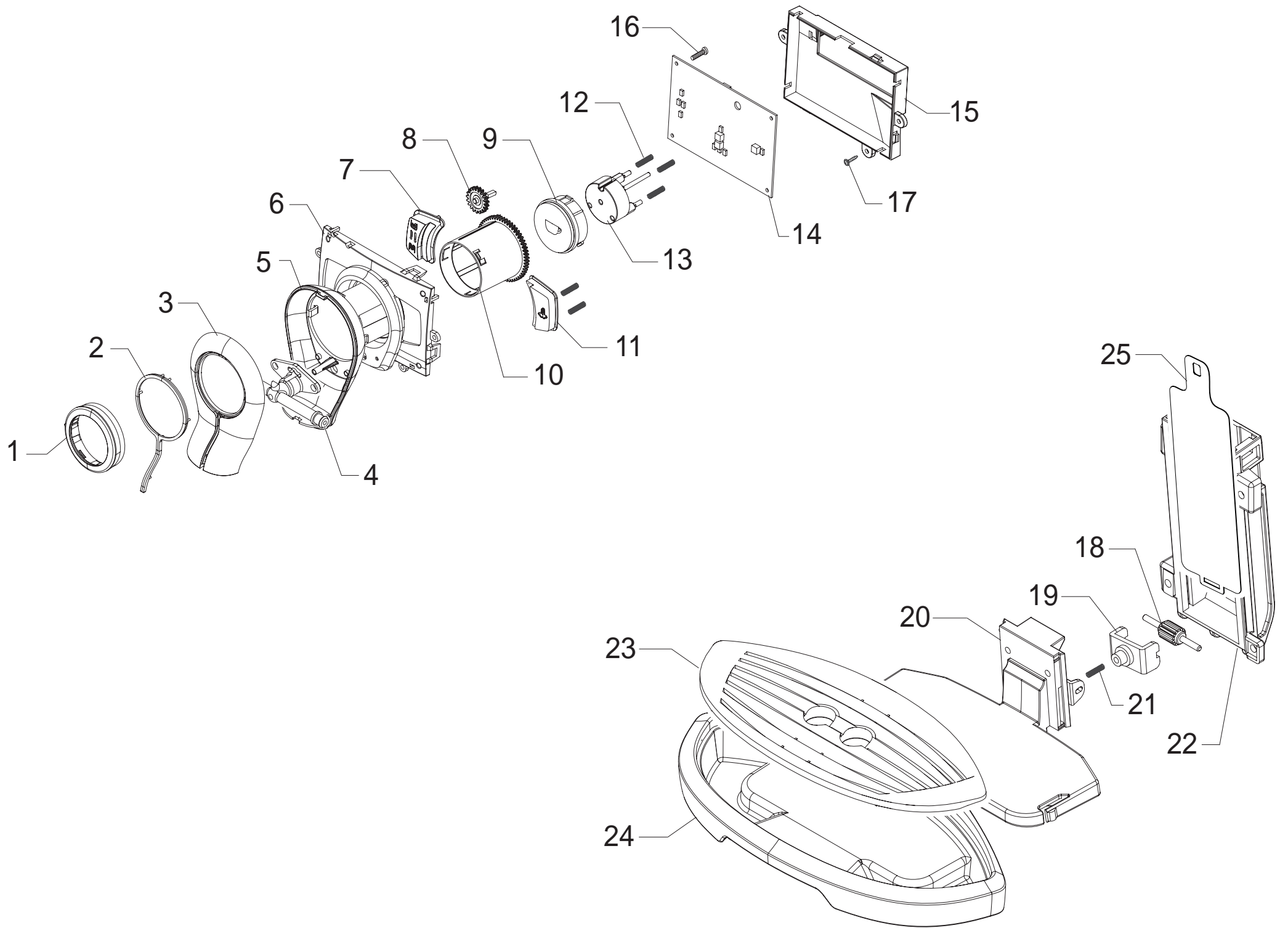
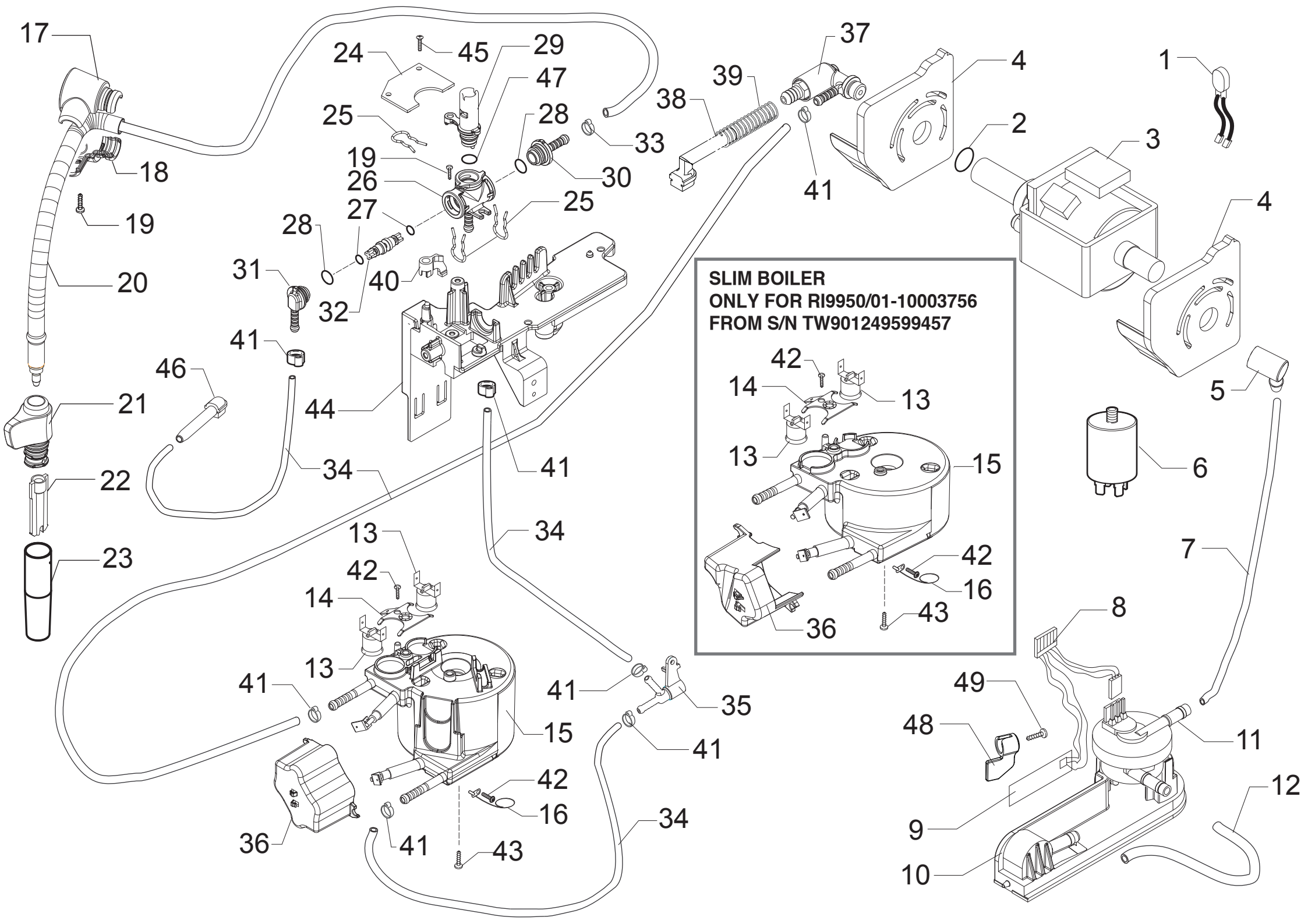


Pos	Article-Nr.	Description	Pos	Article-Nr.	Description
1	15002803	MANUAL PR SAE SUP031O P0049/A CHN	42	NF11.084	PHOSPH/STEEL FOLK SPRING
1	15003998	MANUAL V2 PR SAE SUP031O P0049/A D/I	43	11001624	BLACK STEAM TUBE WASHER P0049
1	15003999	MANUAL V2 PR SAE SUP031O P0049/A GB/F	44	11005287	BLACK STEAM KNOB BUSH P0053
1	15004000	MANUAL V2 PR SAE SUP031O P0049/A E/P	45	421941155132	BLK REED SENSOR SUPPORT V2 P0049
1	15004001	MANUAL V2 PR SAE SUP031O P0049/A NL/PL	46	11028379	PSA KLUBER TRIBOSTAR SIL TUBE 5GR.
1	421946017571	MANUAL PR LCW SUP031O P0049/A GB/CN	47	129661702	SCREW TCB TORX 3,5X30 PLAST.ZN-B
2	11003889	2POLES CONNECT.SENSOR REED DOOR P0049 UL			
3	11003785	BLACK GRINDER ADJUSTMENT KEY P0049			
4	11004247	BLACK POWER CABLE RVV 3X1 CHINA L=1200			
4	421946001591	BLK POWER CABLE SCHUKO L=800			
5	13001548	PS-E UPPER INSERT V4 FOR BOX P0049			
6	13001547	PS-E LOWER INSERT V4 FOR BOX P0049			
7	13001322	HAVANA BOX P0049 PR SAE ODEA			
7	421946017501	HAVANA BOX P0049 PR SAE ODEA LCW			
8	11001746	NAT/GREY WATER CONTAINER P0049 ASSY.			
9	224640200	WHITE WATER CONTAINER EXT.FILTER ASSY.			
10	140328461	OR ORM 0190-10 EPDM			
11	11003672	SS SPRING FOR WATER CONTAIN.VALVE P0049			
12	11003673	GREY WATER CONTAINER VALVE INSERT P0049			
13	11003671	TRANSP.VALVE FOR WATER CONTAINER P0049			
14	11001298	BLACK LID FOR DUCKBILL VALVE P0049			
15	11001308	NAT/GREY WATER CONTAINER LID P0049			
16	11030061	MOUNTING PLATE W/PIN V3 P0049 ASSY.			
17	11000223	BLACK WHEEL FOR CASING BOTTOM P124			
18	11030679	SPEC.CASING COVER V4 S/SCR.ODEA GO P0049			
18	421944036651	SPEC.CAS.COV.V4 P0049 S/SCR.LCW ODEA GO			
19	11010717	SPECCHIATO WATER-STEAM KNOB P0049			
20	11004142	SILVER PLATE LOGO SAECO NEW P0049/P0053			
21	11004907	BLACK PLATE WITH LOGO ODEA P0049 GO			
22	11004575	CARBONA RIGHT SIDE CASING P0049			
23	11004576	CARBONA LEFT SIDE CASING P0049			
24	11003533	BLACK DUMP BOX P0049 ASSY.			
25	11030318	CARBONA COFFEE UNIT DRIP TRAY V2 P0049			
26	12000280	CUP SOCKET EN 60320 C 13			
26	12001883	CUP SOCKET V3 EN 60320 C 13			
27	11007060	GENERAL SWITCH P124			
28	11004591	CARBONA WATER TANK OUTLET COVER P0049			
29	11011355	TRANSP.BEAN CONTAINER V2 P0049			
30	11001762	NAT/GREY BEAN COFFEE CONT.LID P0049 ASSY			
31	11009191	BLACK POWER BOARD PROTECTION V2 P0049			
32	11022788	PWR BOARD V2 P0053 230V			
32	11029201	POWER BOARD SB P0049 230V			
33	9161.111	MAGNET FOR FLOAT SUPERAUT.			
34	11008956	SS DOOR LOCK SPRING G0053			
35	11001340	BLACK DOOR PIN P0049			
36	11004578	CARBONA DOOR P0049			
37	11001091	BLACK DOOR INSIDE COVER P0049			
38	11004592	CARBONA ON-OFF BUTTON INSERT P0049			
39	11011129	SPECCHIATO ON-OFF SWITCH BUTTON P0049			
40	129913202	SCREW TCB TORX 10 3X8 PLAST.ZN-B			
41	11001339	TRANSP.INFRAREDS PLATE P0049			

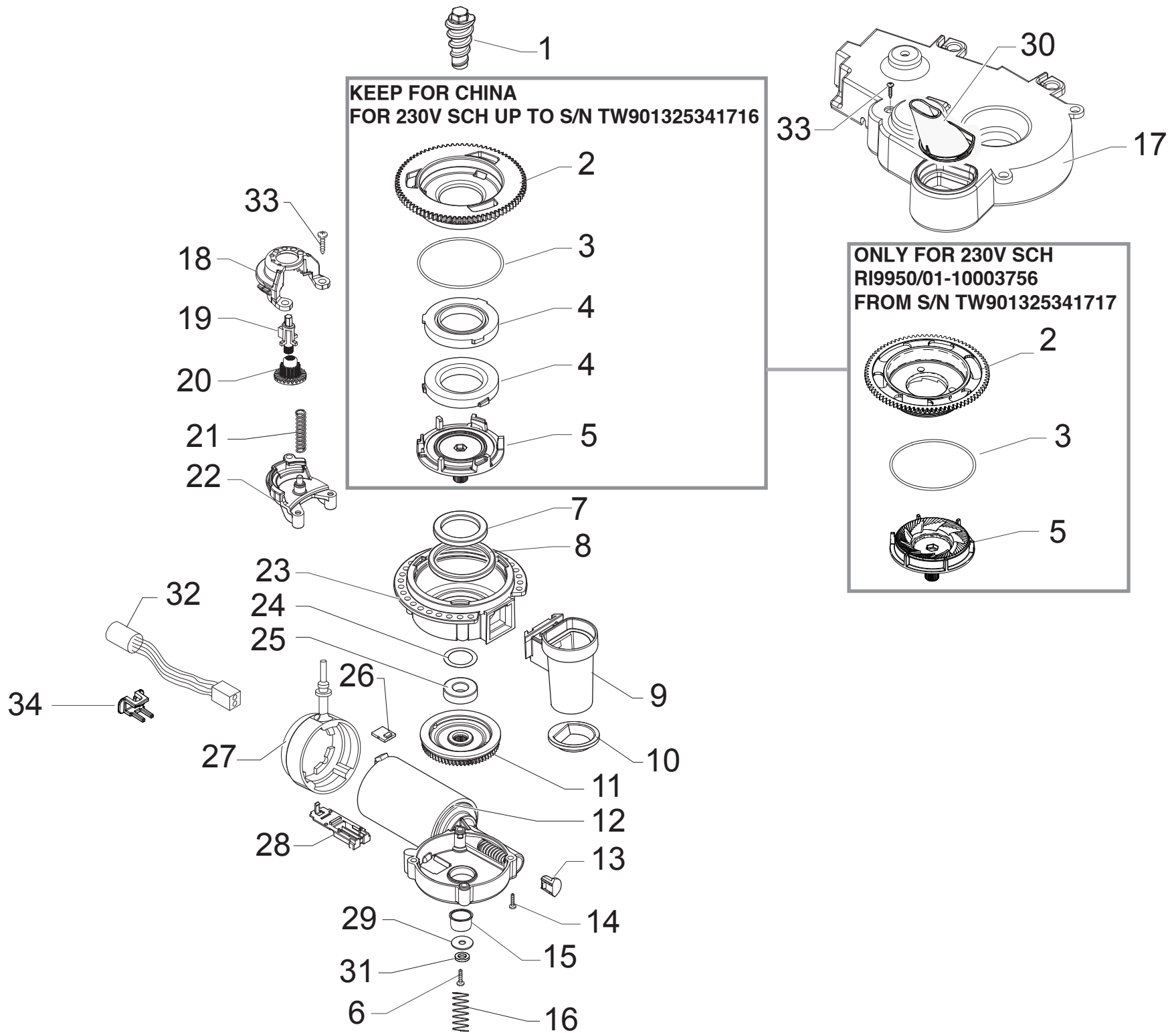


Pos	Article-Nr.	Description	Pos	Article-Nr.	Description
1	11011220	SPECCH.COFF.HEIGHT REGULATION NUT P0049			
2	11001788	AMBRA COFFEE DISPENSER LENS P0049			
3	11011223	SPEC.FRONT COFF.DISPENS.COVER S/SC.P0049			
4	11001772	BLACK COFFEE DISPENSER INNER TUBE P0049			
5	11011221	SPECCH.REAR COF.DISPENSER COVER P0049			
6	11011224	SPECCHIATO FRONT CPU CARD SUPPORT P0049			
7	11001351	BLACK ALLARMS BUTTON P0049			
8	11001320	BLACK GEAR Z=19 P0049			
9	11004388	CARBONA COFFEE BUTTON S/SCR.P0049/A			
10	11001314	BLACK SUPPORT FOR RING NUT P0049			
11	11001353	BLACK STEAM BUTTON P0049			
12	11001363	SS BUTTONS SPRING P0049			
13	11001334	BLACK COFFEE BUTTON SPACER P0049/A			
14	20003340	KIT SPARES CPU+SW V2 P0049 ASSY.			
14	20007210	KIT SPARES CPU+SW SB P0049 ASSY.			
15	11001299	BLACK REAR CPU CARD SUPPORT P0049.			
16	129913202	SCREW TCB TORX 10 3X8 PLAST.ZN-B			
17	12000450	SCREW TCB TORX 10 3,5X12 PLAST.ZN-N			
18	11001758	PIN WITH BLACK INSERT P0049 ASSY.			
19	11001335	BLACK DRIP TRAY PIN INSERT P0049			
20	17002054	BLACK DRIP TRAY SUPPORT V2 P0049			
21	11001364	SS DRIP TRAY MOVE SPRING P0049			
22	11001294	BLACK DRIP TRAY GUIDE P0049			
23	11011128	SPECCHIATO DRIP TRAY GRATE P0049			
24	11009633	CARBONA DRIP TRAY P0049			
25	11007037	SPECCHIATO DRIP TRAY PROTECTION V2 P0049			

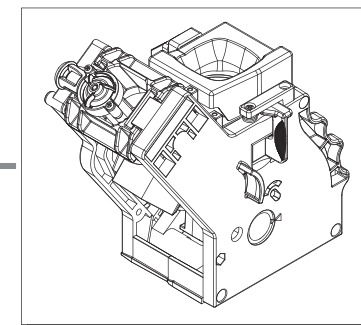
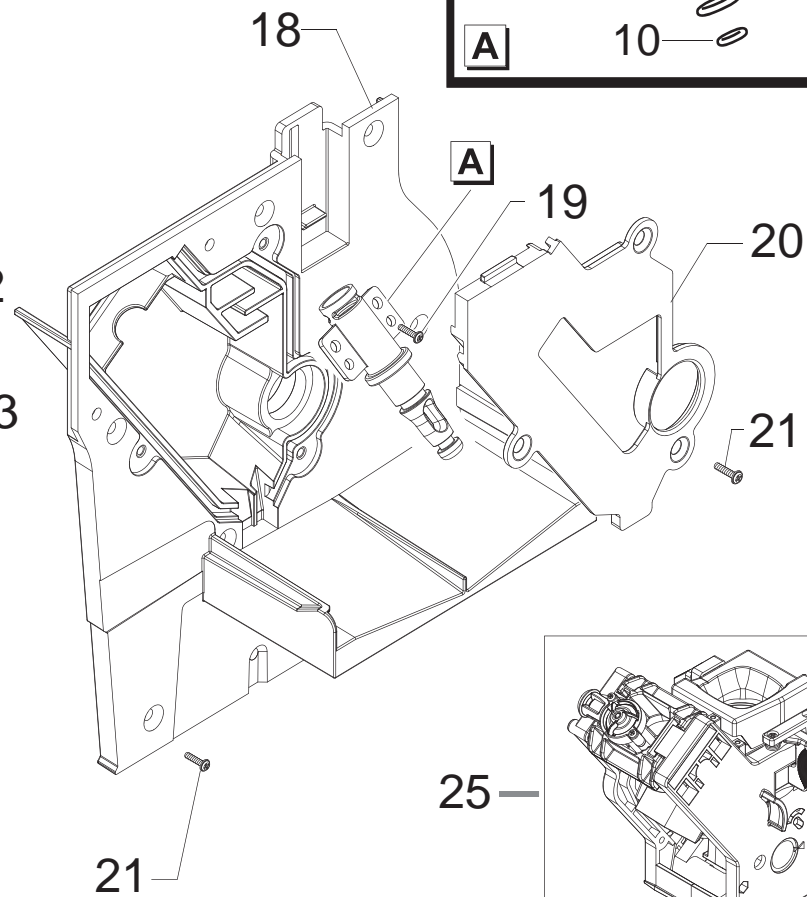
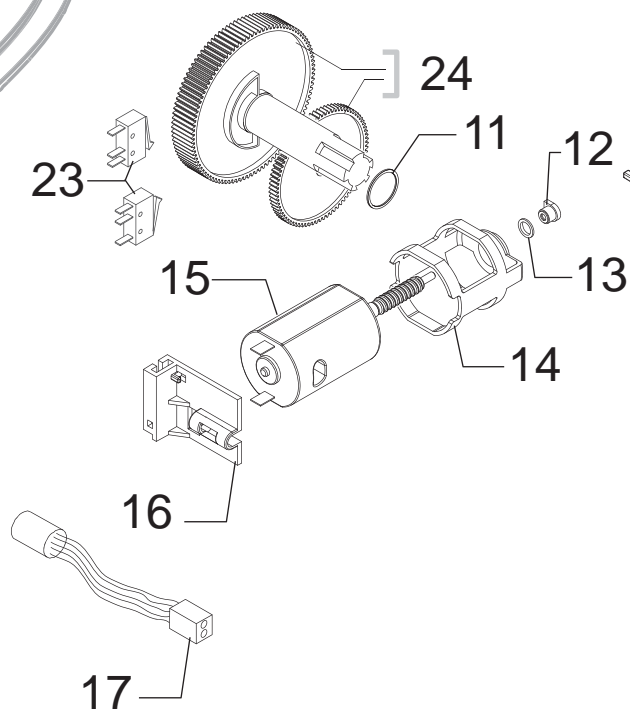
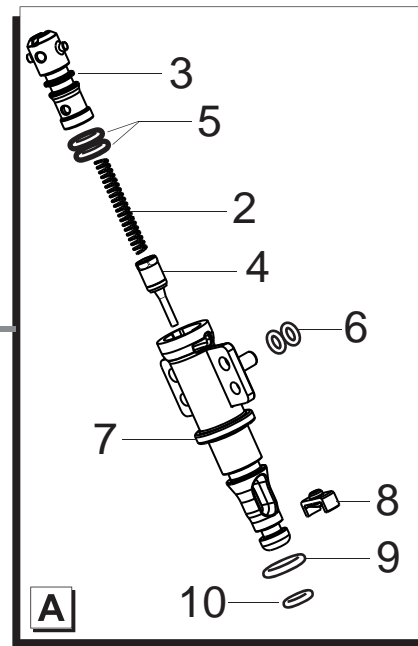
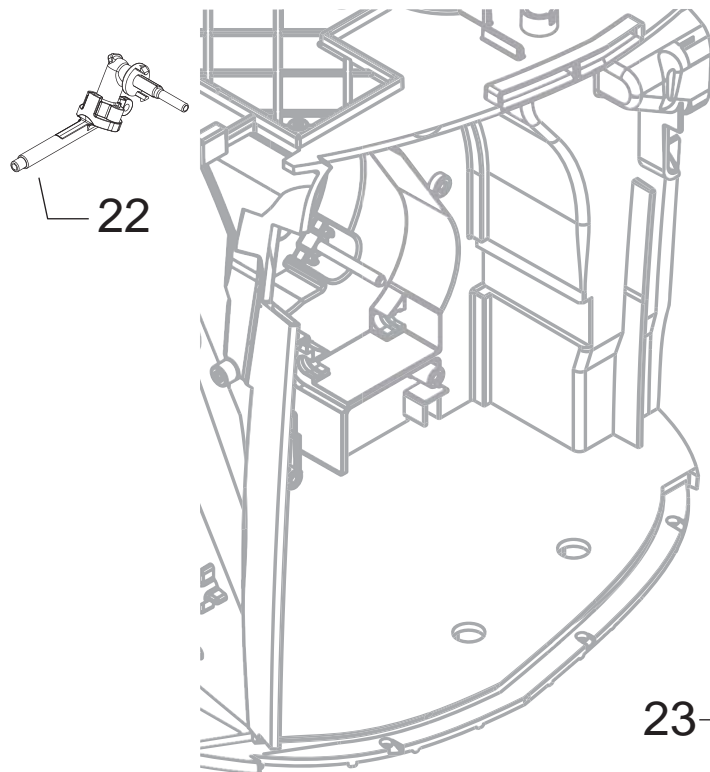


**SLIM BOILER**  
**ONLY FOR RI9950/01-10003756**  
**FROM S/N TW90124959457**

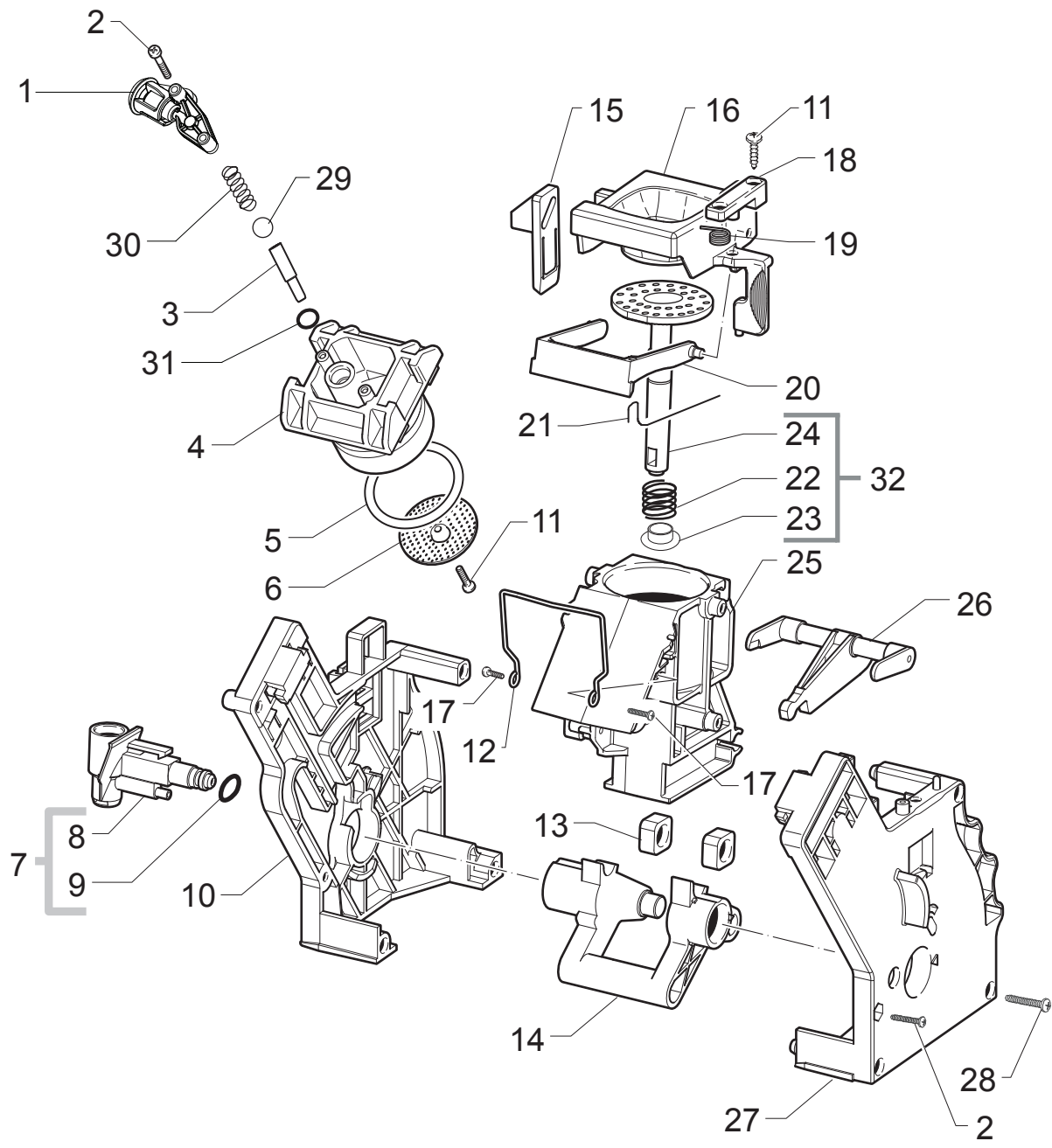
Pos	Article-Nr.	Description	Pos	Article-Nr.	Description
1	11005668	2POLES CONNECTOR PUMP P0049 UL	46	11001630	BLK MILK ISLAND DESCARG.WATER CONN.P0049
2	140321961	O-RING 2031 TERMOIL	47	12001615	OR 2025 IN EPDM PEROX.FOOD 70 SH
3	421941305991	ULKA PUMP EP5FMGW 230V-50HZ	48	17001879	BLK CAPACIT.SENSOR DEADLOCK INSERT P0049
3	421946017031	ULKA PUMP EP5/S GW 230V-50HZ CHN	49	12000450	SCREW TCB TORX 10 3,5X12 PLAST.ZN-N
4	11006296	BLACK PUMP SUPPORT P0049 ASSY.	100	11023771	SLIM TUB.BOILER P0049/A 230V ASSY.
5	147920150	90° INLET PUMP CONNECTOR	100	11025775	TEA/BRASS FAUCET V2 P0049-P0053 ASSY.
6	12001861	ANTIDISTURB FILTER HIGH&LOW 10S7D	100	11001748	TUB.BOILER P0049/A 230V ASSY.
6	12000005	ANTIDISTURB FILTER 10A FNC 1005474103P			
7	149360200	SILICONE TUBE 5X8 70SR IN ROLL			
8	11005648	6 POLES CONNECT.LEVEL+FLOWMETER P0049 UL			
9	11003232	AS.CPU+SW WATER LEVEL SENSOR V2			
10	11003670	BLACK TURBINE SUPPORT V2 P0049			
11	12000781	TURBINE D=1,2 932-8521/90 ASSY.			
12	JS01.022	SILICONE TUBE 5X10 60SH IN ROLL			
13	262279998757	THERMOSTAT OPEN/CLOSE 190/-35DEGC B			
13	12001034	THERMOSTAT ONE SHOT 175°			
14	11001751	TUB.BOILER V3 UPPER THERM.FIXING SPRING			
15	11011341	V4 TUB.BOILER 1300W 230V ASSY.			
15	11013735	SLIM TUB.BOILER 1300W 230V ASSY.			
16	190800100	TEMPERATURE SENSOR NTC UL L=280MM			
17	11004196	CHROM.UPPER STEAM TUBE COVER P0049			
18	11004197	CHROM.LOWER STEAM TUBE COVER P0049			
19	129913902	SCREW TCB TORX 10 3X12 PLAST.ZN-B			
20	11022486	TF/CHROM.STEAM TUBE V2 P0049/P0053 ASSY.			
21	421941300681	BLK/SIL.STEAM TUBE HANDGRIP P0049			
22	11001620	BLACK PANNARELLO INNER TUBE P0049			
23	11001769	BLACK PANNARELLO COVER P0049			
24	11007569	FAUCET ELECTRONIC CARD G0053 ASSY.			
25	11001499	SS FAUCET FORK SPRING P0049			
26	11004625	TEA/BRASS FAUCET CASING P0049			
27	12001614	OR 2012 IN EPDM PEROX.FOOD 70 SH			
28	12001613	O-RING 108 EPDM PEROX.FOOD 70 SH			
29	11025776	PLAST/BRASS FAUCET SHAFT V2 P0049 ASSY.			
30	11001546	BLACK FAUCET STRAIGHT CONNECTOR P0049			
31	11001544	BLACK FAUCET CONNECTOR P0049			
32	11004134	TEA/BRASS FAUCET SHAFT P0049			
33	NF11.052	OETIKER CLIP			
34	16000380	5X8,9 SILICONE TUBE IN ROLL			
35	11001330	BLACK CONNECTOR FOR PIN BOILER P0049			
36	11005284	BLACKBOILER CONNECTORS COVER P0049/P0053			
36	17000386	BLK BOILER CONNECTORS COVER P0049/P0053			
37	11004689	TEA/BRASS SAFETY VALVE 16-18 BAR ASSY.			
38	11001629	BLK PUMP WATER DESCARGING CONNECT.P0049			
39	11005003	SS DESCARGING WATER CONNECT.SPRING P0049			
40	11008876	BLK BRASS FAUCET BLOCK INSERT P0049/A			
41	12000892	OETIKER CLAMP D=9,5 16700004			
42	12001715	SCREW TCB TORX 20 M4X8 AUTOFORMING ZN-B			
43	12001369	SCREW TSP TORX 10 5X35 PLAST.SS			
43	129932502	SCREW TSP 5X30 PLAST.ZN-B			
44	11001332	BLACK BOILER-FAUCET-VALVE SUPPORT P0049			
45	129913202	SCREW TCB TORX 10 3X8 PLAST.ZN-B			



Pos	Article-Nr.	Description	Pos	Article-Nr.	Description
1	11011205	TEA ZAMA INCREASE SCREW GRINDER			
2	11027349	UPPER SUPPORT WITH COMOLDED MILL			
2	421941094152	BLK COF.GRINDER UPPER GRINDER SUPPORT V2			
3	140328960	OR ORM 0530-15 NBR FDA			
4	146520100	BAKED CLAY GRINDER 48X28			
5	149198350	BLK LOWER COFFEEGRINDER GRINDER SUPPORT			
5	11027348	LOWER SUPPORT WITH COMOLDED MILL V2			
6	129574802	SCREW TCB TORX 20 M4X30 ZN-B			
7	123030300	AXIAL BEARING EKKO 342.35252			
8	140360500	FELT RING 45,4X39,4X4			
9	11026355	BLK GROUND COFF.OUTLET CONVEYOR V4 ASSY.			
10	11030459	GRY GROUND COFFEE CONT.LOWER SEAL SMART1			
11	226000300	GEAR SX Z=38 FOR GRINDER MOTION ASSY.			
12	11000513	MOTOR COFFEEGRINDER V3.1 230V ASSY.			
12	421944035341	MOTOR COFFEEGRINDER V3.1 230V CHN ASSY.			
13	149214800	MC V3 MOD=1,25 WORM SCREW CENTRING CAP			
14	129661702	SCREW TCB TORX 3,5X30 PLAST.ZN-B			
15	11002873	INSULATOR BUSH FOR GRINDER MOTOR P124			
16	11000597	STEEL COF.GRINDER SUPPORT SPRING P124			
17	11001826	COFFEE GRINDER SOUNDPROOFING COVER P0053			
18	11002508	UPPER COFFEEGRINDER GEAR SUPPORT P124			
19	11003446	BLACK BEAN COFFEE GRINDER INSERT P0049			
20	11003784	COFFEE GRINDING ADJUSTMENT GEAR P0049			
21	11002572	COFFEEGRINDER REGULATION SPRING P124			
22	11002613	LOWER COFFEEGRINDER GEAR SUPPORT P124			
23	142905450	BLK UPPER BODY WITH COFFEE GROUND OUTLET			
24	128381800	STEEL CRINKLE WASHER 21,8X14X0,25			
25	123030200	RADIAL BEARING 61900.2RS1			
26	181540900	ELECTR.BOARD WITH SENSOR HAL506 SF-K			
27	11001367	BLACK COFFEE GRINDER SUPPORT P0049			
28	149199050	BLK SENSOR SUPPORT FOR COF.GRINDER MOTOR			
29	128381902	STEEL FLAT WASHER DI=4,3 DE=14 SP=1,5			
30	11004199	BLACK BREW UNIT CONDENSE CONVEYOR P0049			
31	128310402	GALV.WASHER UNI 8842 A4			
32	11005658	5POLES CONNECTOR MC SENSORS P0049 UL			
33	129914002	SCREW TCB TORX 10 3,5X16 PLAST.ZN-B			
34	17001921	BLK WIRING FIX INSERT FOR GRINDER BOARD			
100	421944035361	GEN.MOT.COF.GRINDER V2 P0049 230V CHN AS			
100	421941303031	GEN.MOTOR COF.GRINDER COM.P0049 230V ASS			



Pos	Article-Nr.	Description	Pos	Article-Nr.	Description
1	11005060	PIN V2 FOR BOILER P119 ASSY.			
2	9011.132	SS SPRING FOR PIN			
3	11003820	BLACK CAP V2 FOR PIN BOILER P119			
4	11009019	TEA/BRASS PISTON L=20,9 ASSY.			
5	140324459	OR ORM 0060-20 SILICONE PTFE/FDA			
6	140328059	OR 2015 SILICONE PTFE/FDA			
7	11003801	NAT.PIN V2 FOR BOILER P119			
8	11005099	NATURAL CURSOR V2 FOR BOILER P119			
9	NM01.035	OR ORM 0090-20 SILICONE			
10	NM01.057	OR ORM 0050-20 IN SILICONE			
11	9161.132	MYLAR WASHER FOR RATIOMOTOR			
12	9121.046	BRONZE SINTERED BUSH FOR MOTOR RATIOMOT.			
13	148380200	BAKELIZZATE WASHER D=5,5			
14	9121.044	ANTIVIBRATION FOR MOTOR			
15	11005214	MOTOR FOR RATIOMOTOR P124 ASSY.			
16	11001331	BLACK DUMP BOX MICROSWITCH SUPPORT P0049			
17	11003661	REED SENSOR MK3-1A66-BV16451			
18	11006337	BLACK COVER MOUNTING PLATE P0049 ASSY.			
19	129914002	SCREW TCB TORX 10 3,5X16 PLAST.ZN-B			
20	11001312	BLACK COVER FOR BOILER VAIN P0049			
21	129914102	SCREW TSP TORX 10 3,5X12 PLAST.ZN-B			
22	11010544	COFFEE DISPENSING VALVE V4 P0049 ASSY.			
23	NE05.038	MICROSWITCH SAIA XCG5-81-P5			
24	20000900	SPARES KIT GEARS FOR RATIOMOTOR V2			
25	421944036901	BLK BREW UNIT 8GR.5BAR V3 P0057			



Pos	Article-Nr.	Description
1	11009362	BLK COF.OUTLET SLEEVE BREW UNIT S0053 AS
2	12000550	SCREW TCB TORX 10 3X25 PLAST.SS
3	11009276	BLK COUNTER PISTON TUBE BREW UNIT S0053
4	11001840	BLACK COUNTER PISTON BREW UNIT 8GR.P124
5	NM01.044	OR ORM 0320-40 SILICONE PTFE/FDA
6	9161.268	PERCOLATOR DE=35,8 ELFO
7	20000440	BLACK WATER INLET SLEEVE BREW UNIT ASSY.
8	9161.064.050	BLACK WATER INLET SLEEVE BREW UNIT ROYAL
9	NM02.007	OR 2025 IN TERMOIL
10	9161.375.050	BLACK BREW UNIT REAR PLATE SMART
11	12000895	SCREW TSP TORX 10 3X10 PLAST.SS
12	11001556	SS BREW UNIT SPRING H=49 SMART
13	9161.094.050	BLACK BREW UNIT DRILLED BLOCK
14	9161.066.050	BLACK BREW UNIT ELBOW SHAFT M5000
15	9161.373.050	BLACK BREW UNIT COUPLING PLATE SMART
16	149261350	BLACK HOPPER DOSER BREW UNIT SMART1
17	129912521	SCREW TCB TORX 10 3,5X14 PLAST.SS
18	9161.374.050	BLK BREWUNIT HOPPER BLOCKING PLATE SMART
19	9161.378	SS HOPPER SPRING FOR BREW UNIT SMART
20	11004161	BLACK SCRAPER FOR BREW UNIT M5000
21	9161.046	SS SCRAPER SPRING FOR BREW UNIT
22	9161.198	SS.8GR.BREW UNIT PISTON SPRING
23	9161.191	WHITE 8GR.-12GR.BREW UNIT PISTON BUSH
24	421944025621	BLK BREW UNIT INTEGR.PISTON 8GR.V3 ASSY.
25	11003075	BLACK COFFEE CONTAINER BREW UNIT P124
26	11003078	BLACK CONNECTING ROD BREW UNIT 8GR.
27	11005920	BLACK BREW UNIT FRONT PLATE S/SCR.SMART
28	12000897	SCREW TCB TORX 10 3,5X20 PLAST.SS
29	421944034451	BOROSILICATE SPHERE D.5 MM
30	11012095	SS COFFEE UNIT CONTERPISTON SPRING S0053
31	140328761	OR ORM 0060-15 TERMOIL
32	421944029791	BLK BREW UNIT 8GR.INT.PISTON GEN.V3 ASSY
100	421944036901	BLK BREW UNIT 8GR.5BAR V3 P0057

Pos	Article-Nr.	Description
-----	-------------	-------------